

Corresponds to the EG Directive 89/686/EWG, the norm EN 353-1 and is designed according to DIN 18799 part 2 and BGV D 36.



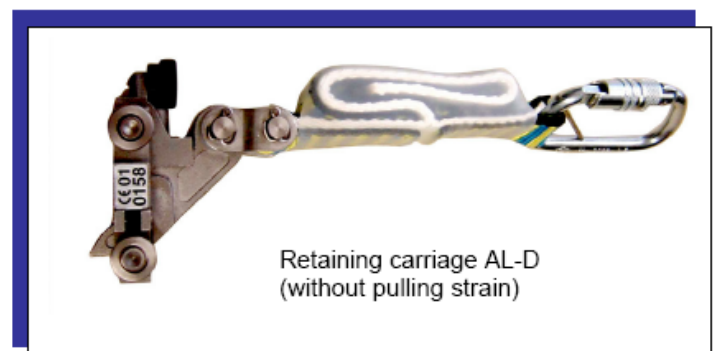
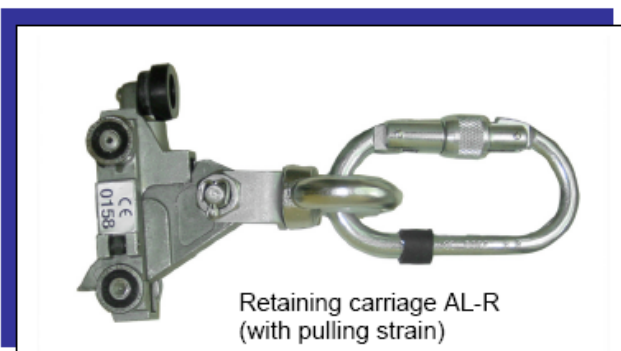
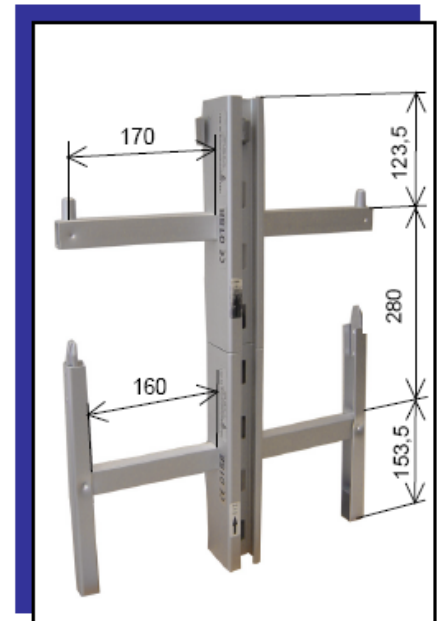
- Complete fall protection ladder or only as fall protection rail to be equipped subsequently
- Anodised in aluminium
- Asymmetrical centered rail profile
- Dimensions of centered rail profile: 48x65mm, thickness 3mm
- Notch spacing 70 mm
- Rung spacing 280 mm
- Width of ladder 380 mm, tread areas 2 x 155 mm
- Design with lateral uprights or anti slip-off peg
- Spacing of brackets for rail 1960mm, Ladder 1680mm and max 2520mm
- Maximum delivery length 5600mm, subsequent every 280mm

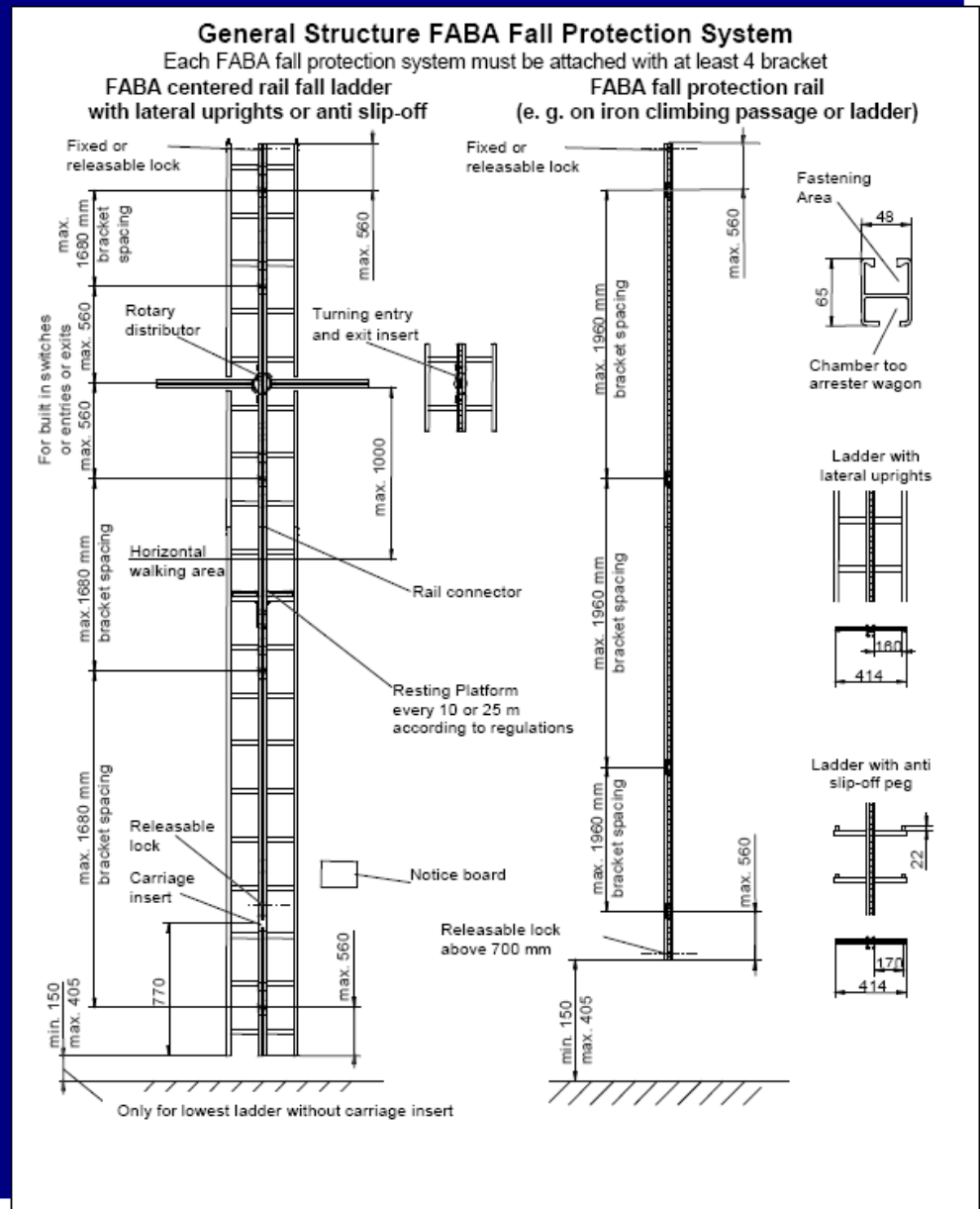
The FABA fall protection system AL2 always uses retaining carriages which are conceived purely as inside runners and therefore possess outstanding running characteristics.



Alongside the fall protection ladders and fall protection rails with the necessary brackets and joint connectors, there is a variety of construction components to adapt the fall protection on the building of the application: e.g. fixed and releasable locks, landings, step-over straight and curved, turning entry and exit insert, switches for horizontal exits and detours, ...

The FABA system AL2 offers solutions for construction and civil engineering, special solutions are also a feature of the flexibility of the system.





**A simple and flexible system,
tailored to the highest demands
for a safety installation.
Contact us, we will be glad to advise you.**