

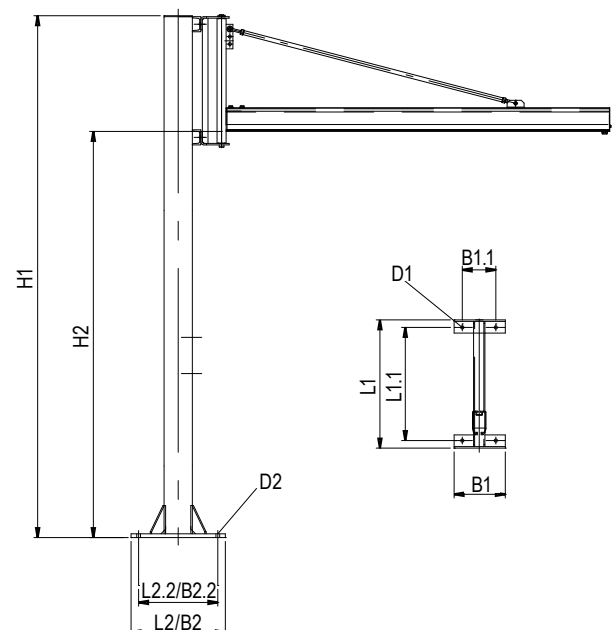
Smooth operator

With the newly developed aluminium track system *StarTrack* the handling operation becomes child's play. The extremely smooth design with robust steel brackets and special transport trolleys makes it effortless to slide loads up to 500 kg back and forth. No matter whether the jibs are connected to a wall or a post, the various jib lengths and profiles dramatically rationalise your operations and are adaptable to your very needs. Additionally, there are designs with ceiling suspensions, telescopic posts or mobile base plates.



Column slewing jib for the handling of barrels

StarTrack – Wall and





Slewing jib with ceiling suspension



Slewing jib for the solar industry



Slewing jib with telescopic post



Wall slewing jib for sack handling



Slewing jib with long jib arm and fourfold suspension

Column slewing jibs

Carrying capacity (kg)	Type (mm)	Jib length L (mm)	Swivel range	H1 (mm)	H2 (mm)	L1 x B1 (mm)	L1.1 x B1.1 (mm)	D1 (mm)	L2 x B2 (mm)	L2.2 x B2.2 (mm)	D2 (mm)	Own weight (kg)
125	WSK/SSK 85	2.000	180 / 270°	3.650	ca. 3.100	590 x 150	508 x 110	17	400 x 400	320 x 320	25	25 / 135
80	WSK/SSK 85	3.000	180 / 270°	3.650	ca. 3.100	590 x 150	508 x 110	17	400 x 400	320 x 320	25	30 / 140
60	WSK/SSK 85	4.000	180 / 270°	3.650	ca. 3.100	590 x 150	508 x 110	17	400 x 400	320 x 320	25	40 / 150
200	WSK/SSK 125	2.000	180 / 270°	3.715	ca. 3.050	680 x 150	600 x 110	17	500 x 500	400 x 400	25	40 / 200
125	WSK/SSK 125	3.000	180 / 270°	3.715	ca. 3.050	680 x 150	600 x 110	17	500 x 500	400 x 400	25	45 / 245
80	WSK/SSK 125	4.000	180 / 270°	3.715	ca. 3.050	680 x 150	600 x 110	17	500 x 500	400 x 400	25	55 / 255
60	WSK/SSK 125	5.000	180 / 270°	3.715	ca. 3.050	680 x 150	600 x 110	17	500 x 500	400 x 400	25	60 / 216
250	WSK/SSK 160	3.000	180 / 270°	3.715	ca. 3.050	680 x 150	600 x 110	17	500 x 500	400 x 400	25	75 / 235
150	WSK/SSK 160	4.000	180 / 270°	3.715	ca. 3.050	680 x 150	600 x 110	17	500 x 500	400 x 400	25	85 / 245
100	WSK/SSK 160	5.000	180 / 270°	3.715	ca. 3.050	680 x 150	600 x 110	17	500 x 500	400 x 400	25	100 / 260
80	WSK/SSK 160	6.000	180 / 270°	3.715	ca. 3.050	680 x 150	600 x 110	17	500 x 500	400 x 400	25	110 / 270