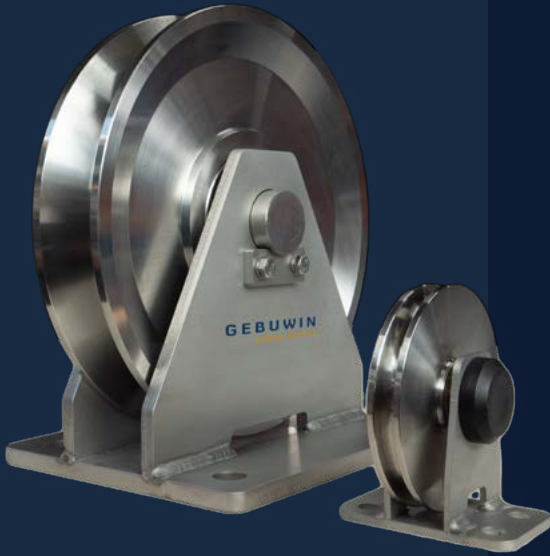


# Pulley block

## Stainless steel 316



### Description

The stainless steel pulley blocks from Gebuwin's product range are suitable for both hand and electric winches. The wheel and frame are made of stainless steel 316 and fitted with bearings.

The pulley blocks are used to guide the cable to the location where the load has to be moved. A fine way to make moving your load easier.

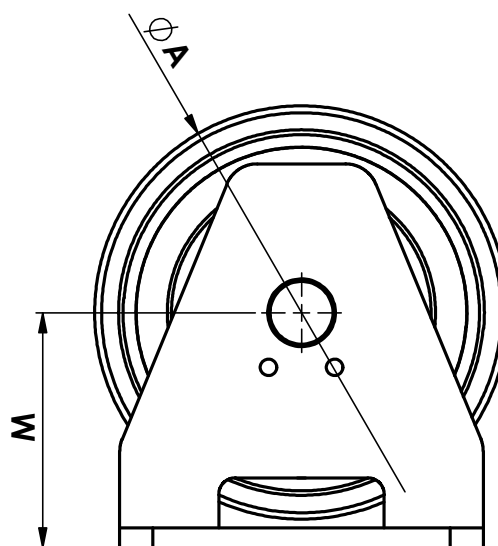
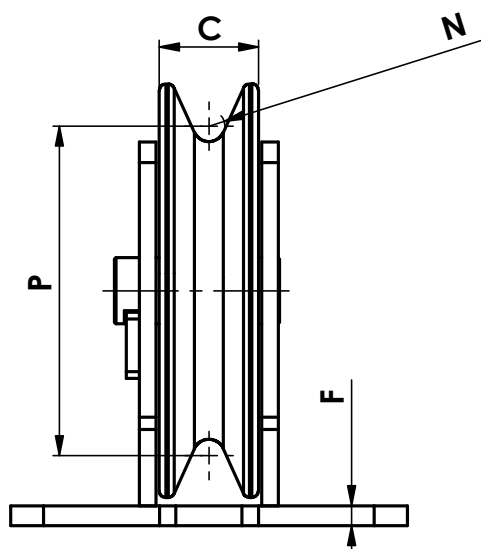
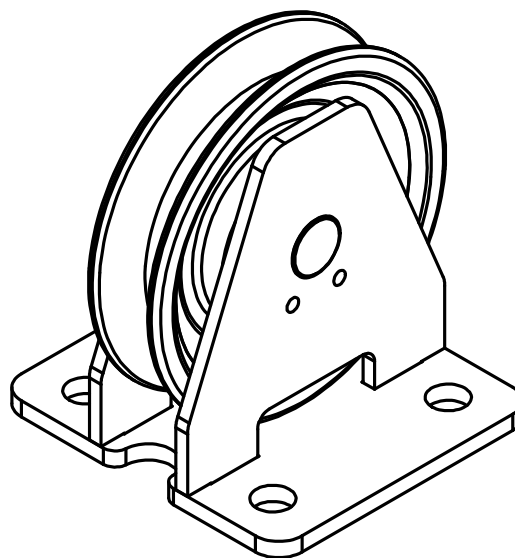
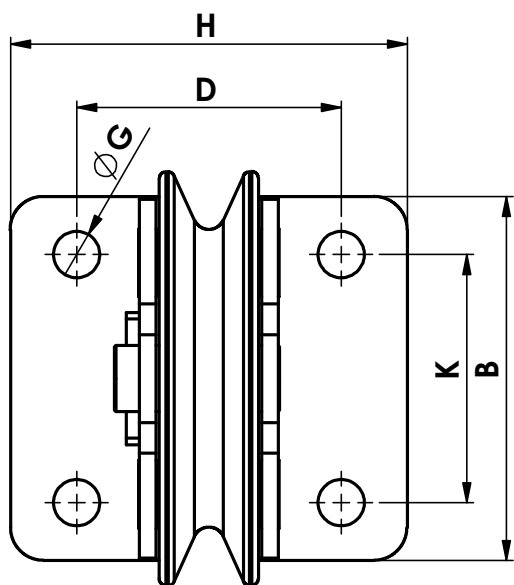
### Product specifications

- > suitable for electric and manual winches
- > pulley wheel made of stainless steel 316
- > bracket made of stainless steel 316
- > plain bearing

### Options (code)

- ATEX suitable

## Technical specifications KB150-7500



Dimensions (mm)	A	B	C	D	E	G	H	K	M	N	P
<u>KB150 (304)</u>	75	60	18	65	5	11	90	35	48	4,2	67
<u>KB300 (304)</u>	100	65	21	70	5	11	100	35	60	4,8	90
<u>KB500</u>	85	60	21	65	5	11	90	35	53	3,2	66
<u>KB1000</u>	125	110	30	80	6	14	120	75	71	4,8	139
<u>KB2000</u>	180	165	38	105	8	17	155	115	103	7	149
<u>KB4000</u>	240	200	50	140	10	21	195	145	135	9,5	204
<u>KB6500</u>	300	240	60	155	12	21	215	180	167	12,5	255

Technical specifications	Unit	<u>KB150_SST</u>	<u>KB300_SST</u>	<u>KB500_SST</u>	<u>KB1000_SST</u>	<u>KB2000_SST</u>	<u>KB4000_SST</u>	<u>KB6500_SST</u>
Max. capacity	kg	150	300	500	1000	2000	4000	6500
Max. rope diameter-Ø	mm	8	9	10	10	16	18	26
Weight	kg	1	1	1,5	3	6,5	11,5	21