



**!** To ensure faultless operation the compressed air supply must be filtered and oiled.

### Pneumatic chain hoist model CPA with suspension hook or with integrated trolley

Capacity 2000 - 10000 kg

The conception is in accordance with the design of the model CPE. With 100 % duty rating and an unlimited number of starts the model CPA is suitable for heavy duty applications. It is insusceptible to contamination, humidity and aggressive mediums from the outside. The hoists are composed of three main components which makes service easy and inexpensive.

#### Features

- Robust rotating piston motor has an adjustable spring pressure brake that holds the load secure even in the event of an air failure.
- High starting torque due to switching valves in the motor body.
- Sensitive control by means of 2 resp. 4 button pendant control with emergency stop.
- Low noise emission due to large dimension silencer.
- Designed for operating pressures of 4 to 6 bar.
- The standard, oil bath lubricated planetary gearbox is particularly smooth running and enables a low overall height.
- The 5-pocket load chain sheave, manufactured from wear resistant case hardening steel, is matched perfectly to the load chain to guarantee smooth and precise chain motion.
- The replaceable chain guide is robust and precision machined.
- Forged suspension and load hooks, manufactured from non-aging, high alloy tempering steel, yield under overload instead of breaking.
- The standard case hardened and zinc-plated link chain is matched perfectly to the load chain to guarantee smooth and precise chain motion. All requirements of national and international standards and regulations are fulfilled.

#### Option

- Pneumatic trolleys
- Rope control
- Stainless steel load chain.

## Technical data model CPA

| Model     | EAN-No.<br>4025092* | Capacity | Number<br>of<br>chain falls | Lifting<br>speed<br>with<br>rated load* | Lifting<br>speed<br>without<br>load* | Lowering<br>speed<br>with rated<br>load* | Hoist<br>motor | Weight<br>for<br>standard<br>3 m lift**<br>suspension<br>hook<br>kg | Weight<br>for<br>standard<br>3 m lift**<br>push<br>trolley<br>kg | Weight<br>for<br>standard<br>3 m lift**<br>geared<br>trolley<br>kg | Weight<br>for<br>standard<br>3 m lift**<br>pneumatic<br>trolley<br>kg |
|-----------|---------------------|----------|-----------------------------|---|--------------------------------------|--|----------------|---|--|--|---|
|           |                     | kg       |                             | m/min                                   | m/min                                | m/min                                    | kW             |   |  |  |   |
| CPA 20-8  | *073868             | 2000     | 1                           | 7.4                                     | 9.9                                  | 11.0                                     | 2.6            | 121   | 184  | 188  | 199   |
| CPA 30-6  | *073875             | 3000     | 1                           | 6.0                                     | 9.9                                  | 13.0                                     | 3.2            | 121   | 184  | 188  | 199   |
| CPA 40-4  | *073882             | 4000     | 2                           | 3.7                                     | 5.0                                  | 5.5                                      | 2.6            | 140   | 202  | 206  | 218   |
| CPA 50-3  | *073899             | 5000     | 2                           | 3.4                                     | 5.0                                  | 6.0                                      | 3.0            | 140   | 202  | 206  | 218   |
| CPA 60-3  | *073905             | 6000     | 2                           | 3.0                                     | 5.0                                  | 6.5                                      | 3.2            | 140   | 202  | 206  | 218   |
| CPA 75-2  | -                   | 7500     | 3                           | 2.0                                     | 3.3                                  | 4.3                                      | 3.2            | -   | -  | -  | -   |
| CPA 100-2 | *075701             | 10000    | -                           | -                                       | -                                    | -  | -              | -   | -  | -  | -   |

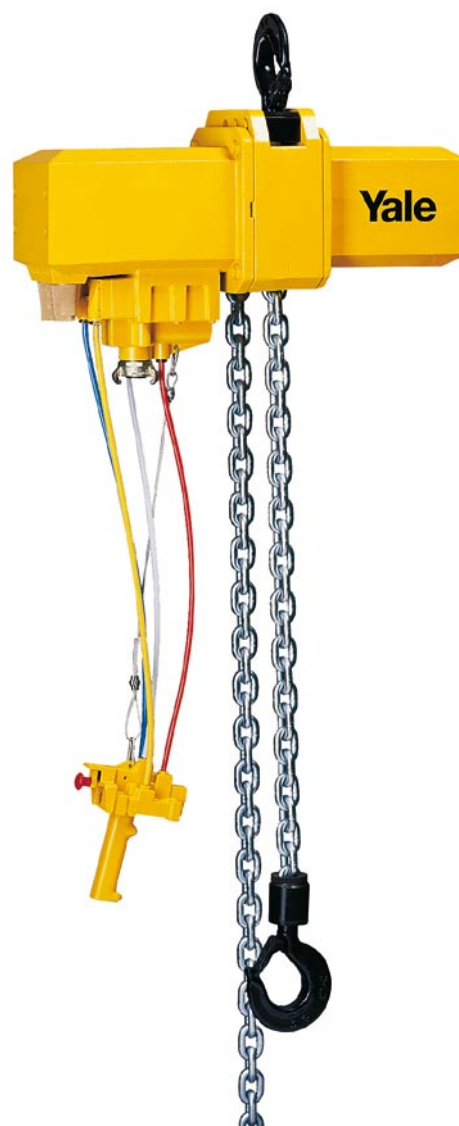
\*Value for 6 bar (flow pressure), air consumption with rated load 4.7 m<sup>3</sup>/min.

\*\*Other lifting heights available.

**!** Yale hoists and trolleys are not designed for passenger elevation applications and must not be used for this purpose.

## Technical data trolleys

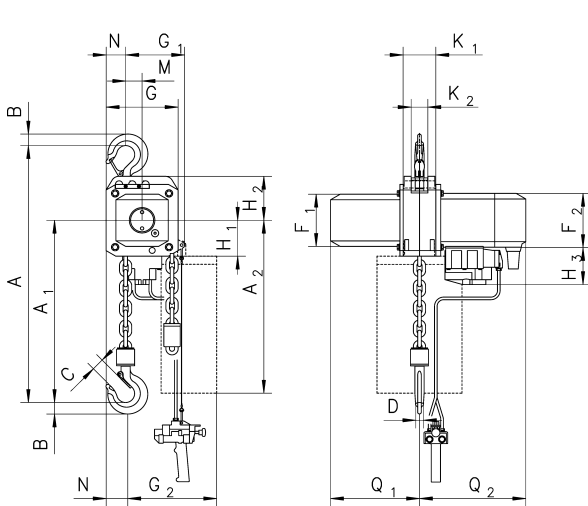
| Capacity     | Size | Beam<br>flange<br>width<br>b | Beam<br>flange<br>thickness<br>t<br>max. | Curve<br>radius<br>min. | Pneumatic<br>trolley<br>travel<br>speed | Pneumatic<br>trolley<br>motor |
|--------------|------|------------------------------|--|-------------------------|---|-------------------------------|
| kg           |      | mm                           | mm                                       | m                       | m/min                                   | kW                            |
| 2000 - 6000  | A    | 98 - 180                     | 27                                       | 2.0                     | 18                                      | 0.55                          |
| 2000 - 6000  | B    | 180 - 300                    | 27                                       | 1.8                     | 18                                      | 0.55                          |
| 7500 - 10000 | B    | 125 - 310                    | 40                                       | 1.8                     | -                                       | -                             |



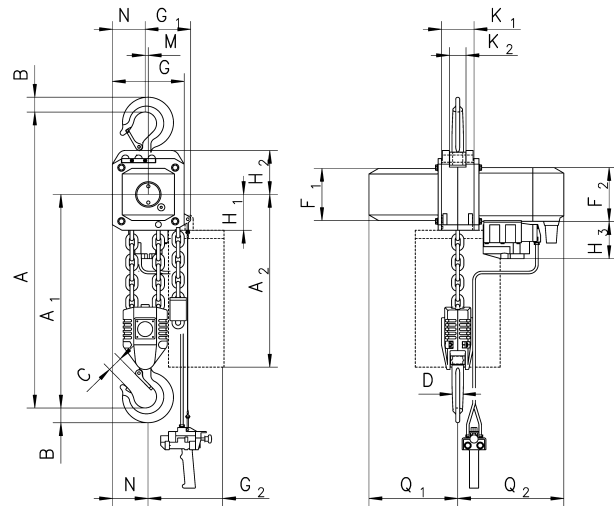
# Hoisting Equipment Pneumatic chain hoists

## Dimensions model CPA

| Model         | CPA 20-8 | CPA 30-6 | CPA 40-4 | CPA 50-3 | CPA 60-3 | CPA 75-2 | CPA 100-2 |
|---------------|----------|----------|----------|----------|----------|----------|-----------|
| A, mm         | 516      | 516      | 681      | 681      | 681      | 950      | 1068      |
| A1, mm        | 286      | 286      | 428      | 428      | 428      | 479      | 651       |
| B, mm         | 35       | 35       | 45       | 45       | 47       | 60       | 60        |
| C, mm         | 37       | 37       | 46       | 46       | 42       | 52       | 52        |
| D, mm         | 24       | 24       | 30       | 30       | 30       | 40/45    | 40/45     |
| F1, mm        | 160      | 160      | 160      | 160      | 160      | 160      | 160       |
| F2, mm        | 165      | 165      | 165      | 165      | 165      | 165      | 165       |
| G, mm         | 220      | 220      | 220      | 220      | 220      | 220      | 581       |
| G1, mm        | 180      | 180      | 140      | 140      | 140      | 268      | 311       |
| G2 (13 m), mm | 258      | 258      | 218      | 218      | 218      | -        | -         |
| G2 (21 m), mm | 278      | 278      | 238      | 238      | 238      | 345      | 408       |
| H1, mm        | 110      | 110      | 110      | 110      | 110      | 110      | 110       |
| H2, mm        | 135      | 135      | 135      | 135      | 135      | 307      | 256       |
| H3, mm        | 115      | 115      | 115      | 115      | 115      | 115      | 115       |
| K1, mm        | 100      | 100      | 100      | 100      | 100      | 92       | 92        |
| K2, mm        | 51       | 51       | 51       | 51       | 51       | 62       | 62        |
| M, mm         | 50       | 50       | 9.6      | 9.6      | 9.6      | 139      | 181       |
| N, mm         | 60       | 60       | 100      | 100      | 100      | 136      | 291       |
| Q1, mm        | 272      | 272      | 272      | 272      | 272      | 272      | 272       |
| Q2, mm        | 325      | 325      | 325      | 325      | 325      | 325      | 325       |



Model CPA with suspension hook, 2000 - 3000 kg, single fall

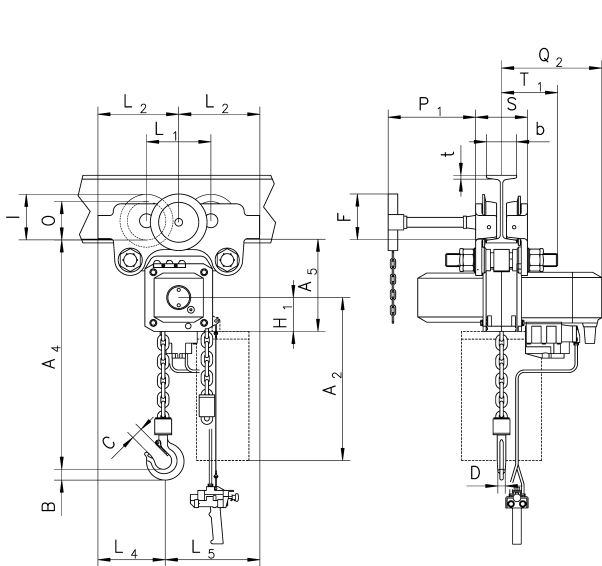


Model CPA with suspension hook, 4000 - 6000 kg, double fall

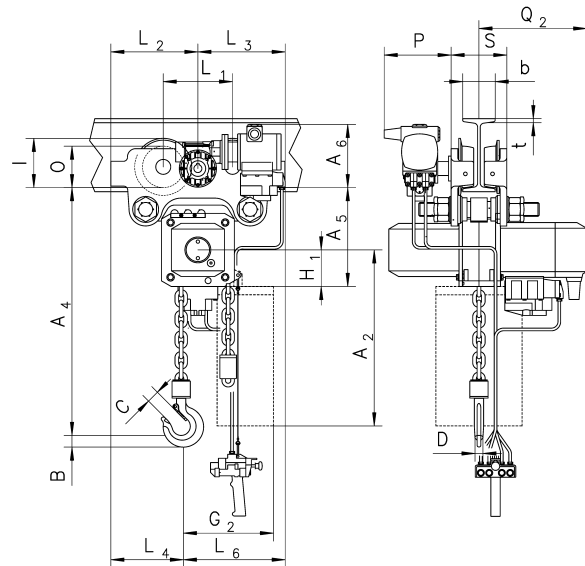
# Hoisting Equipment Pneumatic chain hoists

## Dimensions model CPA

| Model         | CPA 20-8                       | CPA 30-6                       | CPA 40-4                       | CPA 50-3                       | CPA 60-3                       | CPA 75-2                       | CPA 100-2                      |
|---------------|--------------------------------|--------------------------------|--------------------------------|--------------------------------|--------------------------------|--------------------------------|--------------------------------|
| A2 (13 m), mm | 430                            | 430                            | 430                            | 430                            | 430                            | -                              | -                              |
| A2 (21 m), mm | 530                            | 530                            | 530                            | 530                            | 530                            | 530                            | 530                            |
| A4, mm        | 465                            | 465                            | 615                            | 615                            | 615                            | 855                            | 965                            |
| A5, mm        | 298                            | 298                            | 298                            | 298                            | 298                            | 477                            | 425                            |
| A6, mm        | 190                            | 190                            | 190                            | 190                            | 190                            | 182                            | 182                            |
| b, mm         | A = 98 - 180/<br>B = 180 - 300 | A = 98 - 180/<br>B = 180 - 300 | A = 98 - 180/<br>B = 180 - 300 | A = 98 - 180/<br>B = 180 - 300 | A = 98 - 180/<br>B = 180 - 300 | A = 98 - 180/<br>B = 180 - 300 | A = 98 - 180/<br>B = 180 - 300 |
| F, mm         | 150                            | 150                            | 150                            | 150                            | 150                            | 113                            | 113                            |
| I, mm         | 142.5                          | 142.5                          | 142.5                          | 142.5                          | 142.5                          | 130                            | 130                            |
| L1, mm        | 209                            | 209                            | 209                            | 209                            | 209                            | 200                            | 200                            |
| L2, mm        | 262.5                          | 262.5                          | 262.5                          | 262.5                          | 262.5                          | 215                            | 215                            |
| L3, mm        | 265                            | 265                            | 265                            | 265                            | 265                            | 265                            | 265                            |
| L4, mm        | 213                            | 213                            | 253                            | 253                            | 253                            | 291                            | 291                            |
| L5, mm        | 312                            | 312                            | 272                            | 272                            | 272                            | -                              | -                              |
| L6, mm        | 315                            | 315                            | 275                            | 275                            | 275                            | -                              | -                              |
| O, mm         | 125                            | 125                            | 125                            | 125                            | 125                            | 150                            | 150                            |
| P, mm         | 208                            | 208                            | 208                            | 208                            | 208                            | 208                            | 208                            |
| P1, mm        | 284                            | 284                            | 284                            | 284                            | 284                            | 284                            | 284                            |
| S, mm         | b + 70                         | b + 70                         | b + 70                         | b + 70                         | b + 70                         | b + 98                         | b + 98                         |
| t, mm         | 27                             | 27                             | 27                             | 27                             | 27                             | 40                             | 40                             |
| T1 size A     | 182                            | 182                            | 182                            | 182                            | 182                            | 270                            | 270                            |
| T1 size B     | 242                            | 242                            | 242                            | 242                            | 242                            | 270                            | 270                            |



Model CPA with integrated manual push or geared trolley



Model CPA with integrated pneumatic trolley

Bretteville Taljer & Maskiner AS  
 Griniveien 159  
 1359 Eiksmarka  
 Tlf: +47 67 16 69 90  
[www.brettevilletaljer.no](http://www.brettevilletaljer.no)  
[post@brettevilletaljer.no](mailto:post@brettevilletaljer.no)