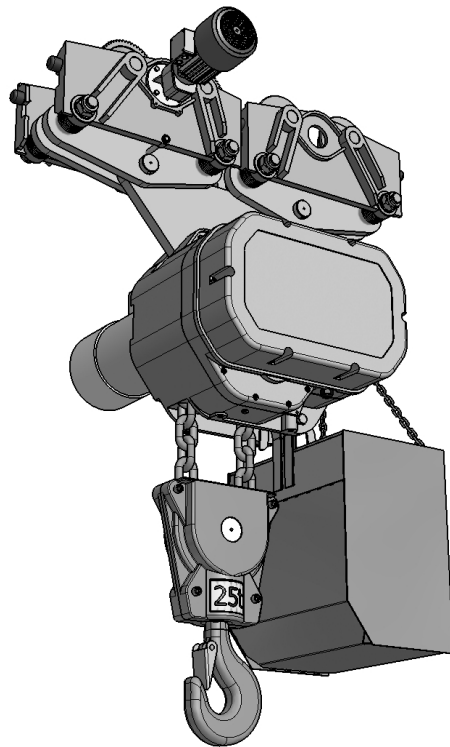


SPARE PART LIST POWER LIFTKET

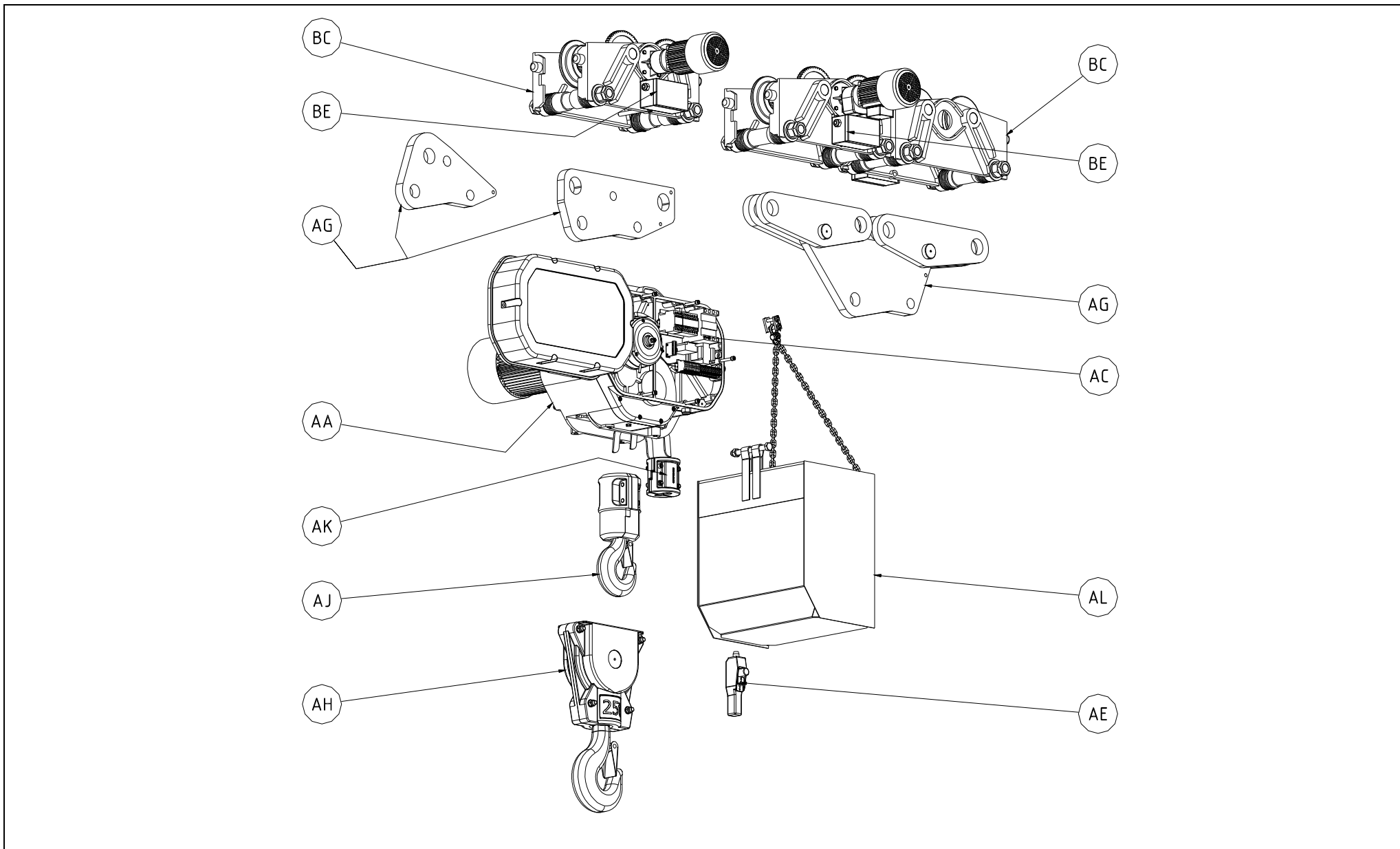
version 235/50



SP-Code	Description	Description of spare part section	Page
AA	Lifting gear	01: Hoist body	4-5
		02: Clutch – Brake	6-7
		03: Motor	8
		04: Chain	9
AC	Low voltage control		10-11
AE	Control pendant		12-13
AF	Electric limit switches		14
AG	Suspension eyes	01: Suspension 25 to	15-16
		02: Single hole suspension eye 25 to	15-16
		03: Suspension eye 12,5 to	15-16
AH	Hook block		17
AJ	Hook tackle		18
AK	Lift limiter		18
AL	Chain box		19
BC	Electric trolley		20-23
BE	Low voltage control for electric trolley		24-25

Spare part list POWER LIFTKET version 235/50; 400 V, 50 Hz

Overview



Spare part list POWER LIFTKET version 235/50; 400 V, 50 Hz

Order form for spare parts

Customer no.: _____

Address: _____

Telephone: _____

Fax: _____

Delivery date: _____

HOFFMANN Fördertechnik GmbH

Dresdener Straße 64-68

04808 Wurzen

GERMANY

Telephone: +49-3425-8924 – 0

Fax: +49-3425-8924- 99

Serial number of the electric chain hoist POWER LIFTKET	Pieces/Metre	Order number	Description	Version	Power supply	Price/item	Total price

Example for order

No.	Piece	Description	Order no.: 235/50
1	1	Cap for gear cover complete consisting of:	03 9 235 50 005/0 1 cap for gear cover 1 gasket <i>03 0 235 50 037/0</i> 6 hex. socket cap screws M10x80 DIN 912 6 spring lock washers 10,1 DIN 7980

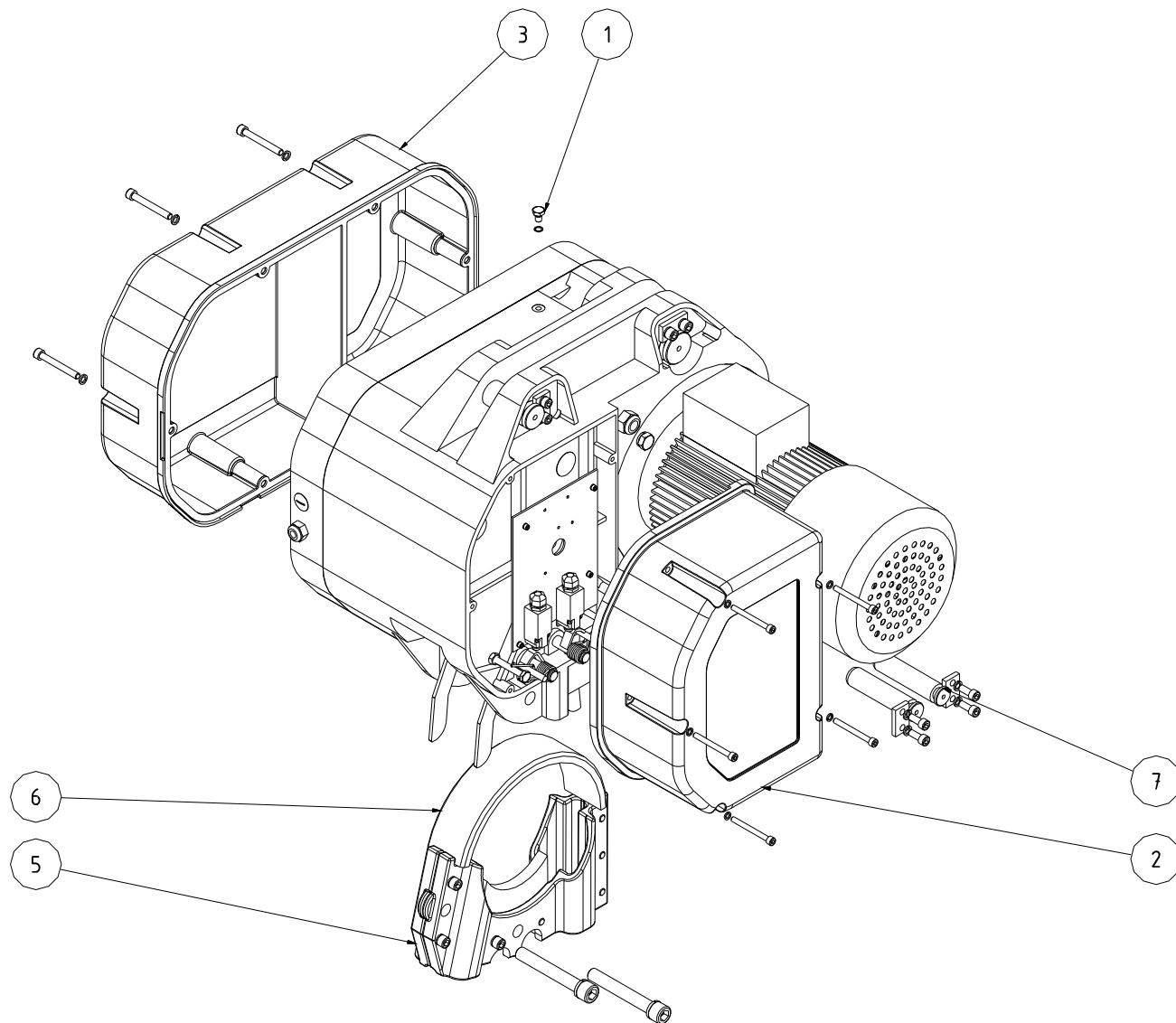
Order no. **03 9 235 50 005/0** for cap for gear cover complete (with gasket and fastening set)
 Order no. *03 0 235 50 037/0* gasket only

Serial number of the electric chain hoist POWER LIFTKET	Pieces/Metre	Order number	Description	Version	Power supply	Price/piece	Total price
XXXXXX	1	03 9 235 50 005/0	Cap for gear cover complete	235/50	400 V, 50Hz, 3 ph		

Spare part list POWER LIFTKET version 235/50; 400 V, 50 Hz

AA – Lifting gear

Section 01: Hoist body



Spare part list POWER LIFTKET version 235/50; 400 V, 50 Hz

AA – Lifting gear

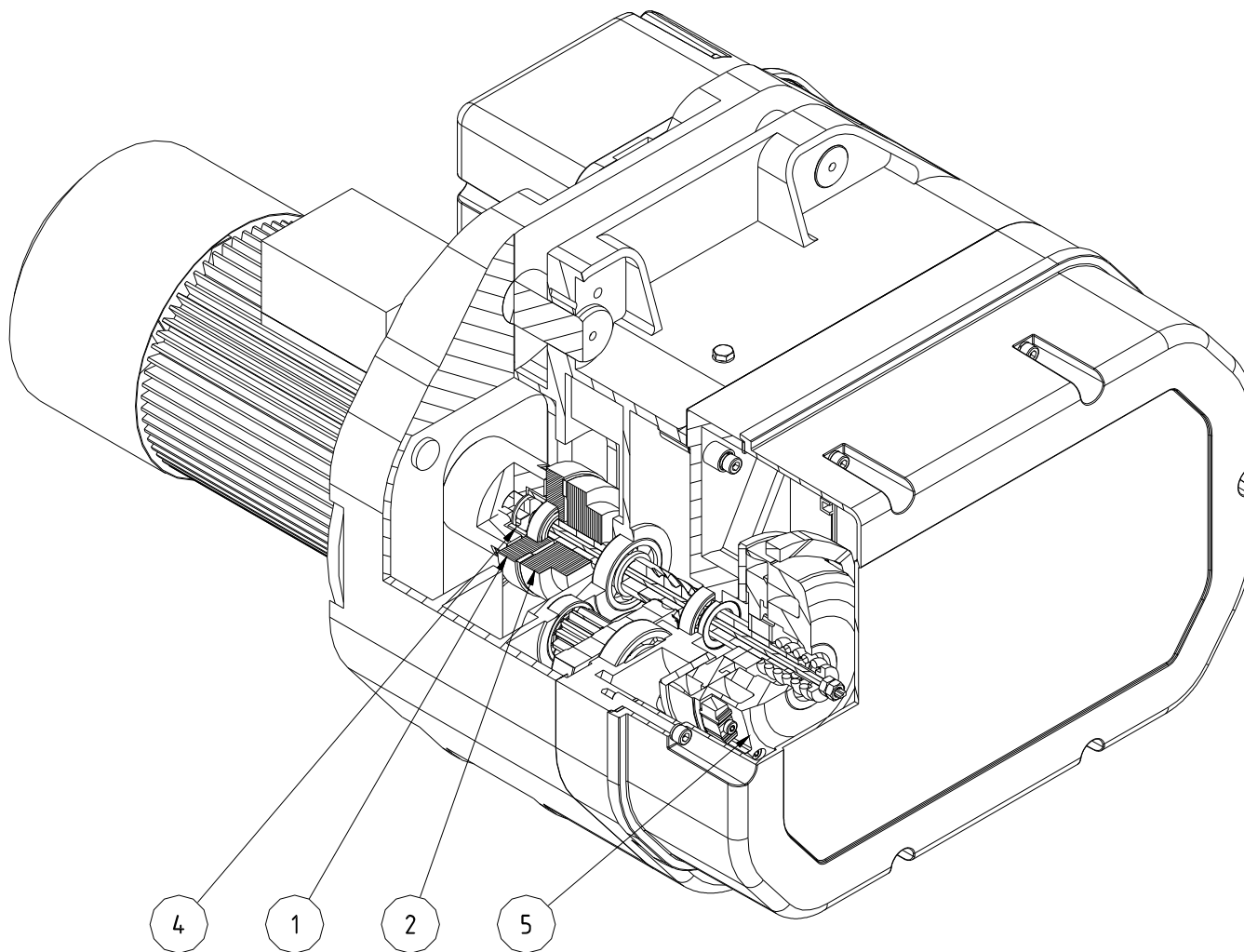
Section 01: Hoist body

No.:	Piece	Description	Order no.: 235/50 12500/1-6,4/1,6 25000/2-3,2/0,8
1	1	Oil filling screw complete consisting of:	03 9 235 50 200/0 1 hexagon head screw M10x14 DIN 933 1 tooth lock washer A10,5 DIN 6797 1 sealing ring A10x13,5 AL DIN 7603
2	1	Cap for limit switch complete consisting of:	03 9 235 50 004/0 1 cap for limit switches 1 gasket <i>03 0 235 50 038/0</i> 5 hex. socket cap screws M8x80 DIN 912 5 spring lock washers 8,1 DIN 7980
3	1	Cap for gear cover complete consisting of:	03 9 235 50 005/0 1 cap for gear cover 1 gasket <i>03 0 235 50 037/0</i> 6 hex. socket cap screws M10x80 DIN 912 6 spring lock washers 10,1 DIN 7980
4	1	Oil draining screw complete (not shown) consisting of:	03 9 235 50 201/0 1 hexagon head screw M10x14 DIN 933 1 sealing ring A10x13,5 AL DIN 7603
5	1	Chain guide complete consisting of:	03 9 235 50 008/1 2 chain guide halves 1 centre bar 2 hex. socket cap screws M20x140 DIN 912 2 sealing rings A20 x 24 AL DIN 7603 7 hex. socket cap screws M12x55 DIN 912 7 spring lock washers 12,2 DIN 7980
6	1	Hold down	03 0 235 50 029/0 1 hold down
7	1	Chain suspension complete consisting of:	03 9 235 50 031/0 2 bolts 2 axle supports 4 hex. socket cap screws M10x25 DIN 912 4 spring lock washers 10,1 DIN 7980

Spare part list POWER LIFTKET version 235/50; 400 V, 50 Hz

AA – Lifting gear

Section 02: Clutch - Brake



Spare part list POWER LIFTKET version 235/50; 400 V, 50 Hz

AA – Lifting gear

Section 02: Clutch - Brake

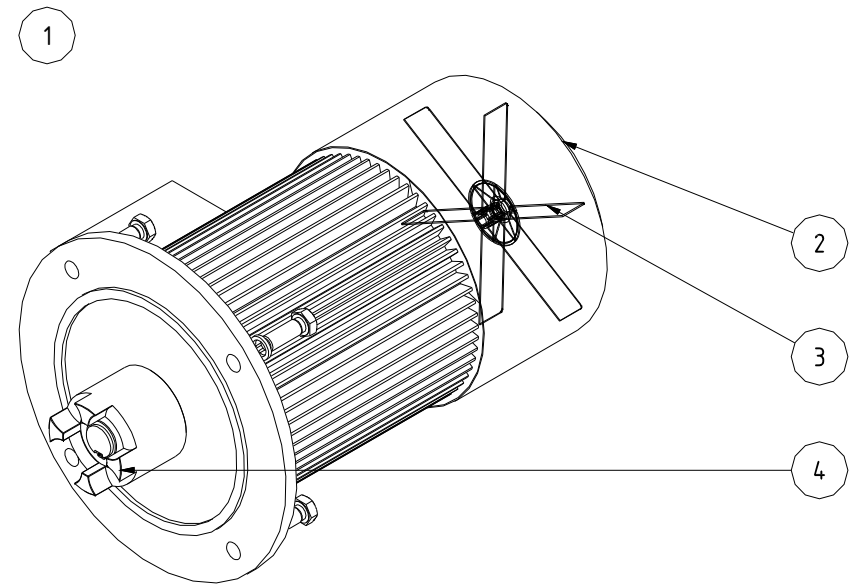
No.:	Piece	Description	Order no.: 235/50 12500/1-6,4/1,6 25000/2-3,2/0,8
1	1	Clutch drive disc complete consisting of:	14 2 235 50 003/0 1 clutch drive disc 1 glued on clutch lining 1 grooved ball bearing 6205 ZZ
2	1	Clutch disc complete consisting of:	14 9 235 50 005/0 1 clutch disc 1 parallel key AB8x7x40 DIN 6885
3	1	Accessory for clutch complete consisting of:	14 9 235 50 010/0 1 tension rod 1 pressure ring 1 spring plate 1 pressure spring 8,2x30,7x62 DIN 2098 2 hexagonal nuts M10 DIN 934
4	1	Gear rim	54 00420 00002 1 gear rim
5	1	Brake complete	17 8ROBA 01800 1 brake POWER LIFTKET

Spare part list POWER LIFTKET version 235/50; 400 V, 50 Hz

AA – Lifting gear

Section 03: Motor

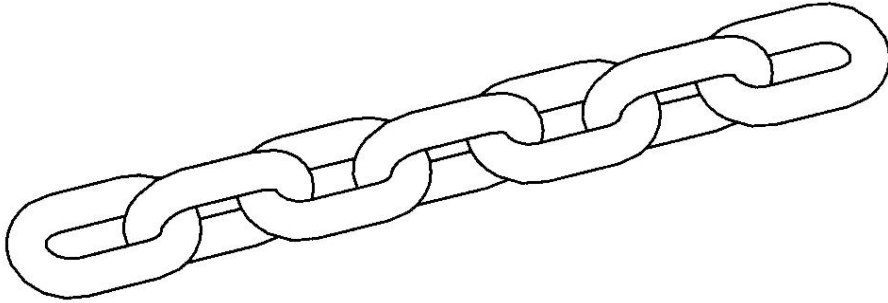
No.:	Piece	Description	Order no.: 235/50 12500/1-6,4/1,6 25000/2-3,2/0,8
1	1	Motor complete consisting of:	42 9 132L82 000/0 1 motor 132L8-2 incl. fan impeller 1 clutch hub 1 parallel key A10x8x60 DIN 6885 1 retaining ring 32x1,5 DIN 471 4 hexagon head screws M16x45 DIN 933 4 spring lock washers 16 DIN 7980
2	1	Fan cap for motor consisting of:	42 9 132L82 011/0 1 fan cap 4 hexagon head screws M6x10 DIN 933 3 spring lock washers 6,1 DIN 7980 1 tooth lock washer A6,4 DIN 6797
3	1	Fan impeller complete consisting of:	42 9 132L82 012/0 1 fan impeller 1 parallel key A12x8x32 DIN6885 1 retaining ring 38x1,75 DIN 471
4	1	Clutch hub complete consisting of:	14 9 235 50 001/0 1 clutch hub 1 parallel key A10x8x60 DIN 6885 1 retaining ring 32x1,5 DIN 471
5	1,5 m	Connecting cable	11 9 235 50 501/0 1,5 m connecting cable pre-assembled 7x6 mm ²



Spare part list POWER LIFTKET version 235/50; 400 V, 50 Hz

AA – Lifting gear

Section 04: Chain

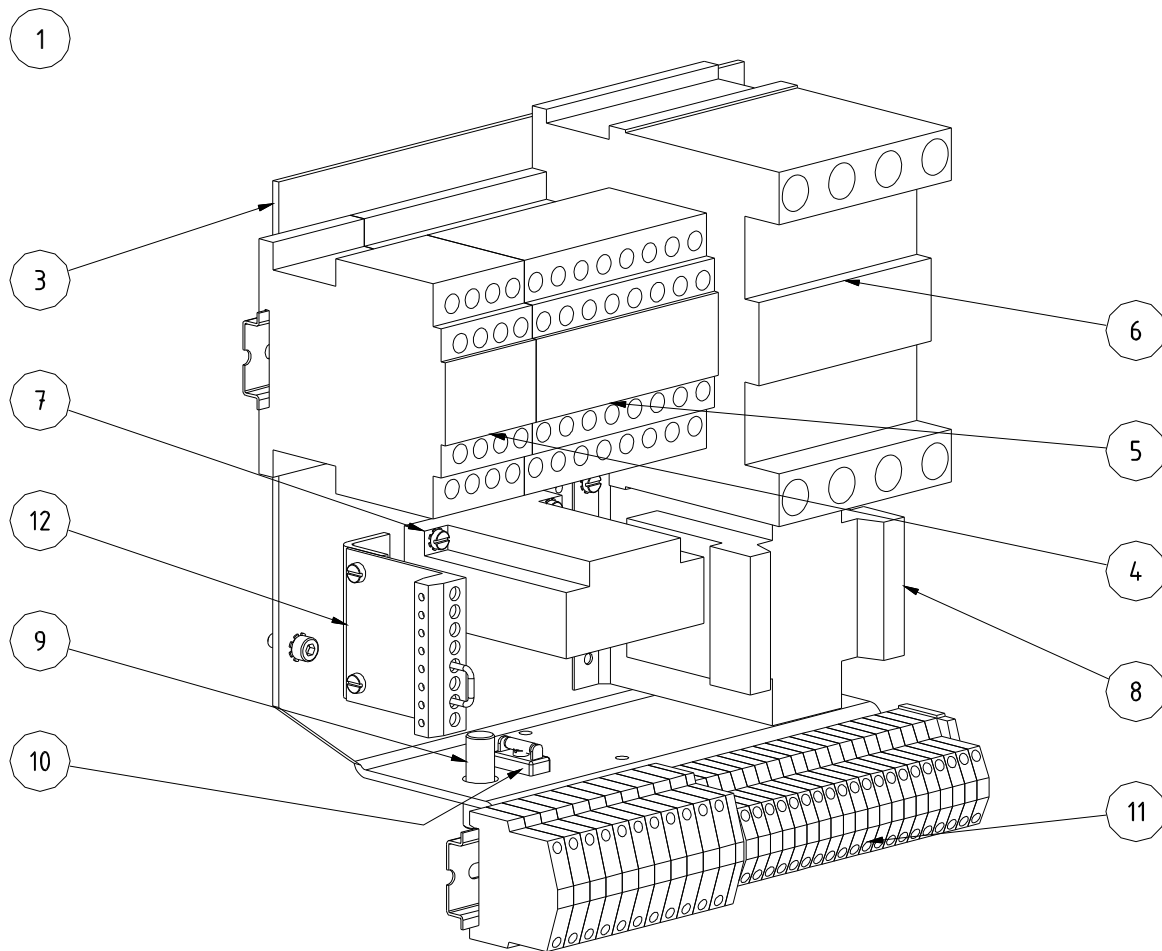


Remark: The change of the chain guide and the hold down would be recommended, when the replacement of the chain is necessary.
On this see spare part list AA – Lifting gear, Section 01: Hoist body

Metre	Description	Order no.: 235/50 12500/1-6,4/1,6 25000/2-3,2/0,8
... m	Round steel link chains acc. to EN 818-7, DAT	47 23566 00003 round steel link chains 23,5 x 66 mm
... m	Round steel link chains acc. to EN 818-7, T	47 23566 RT003 round steel link chains 23,5 x 66 mm

Spare part list POWER LIFTKET version 235/50; 400 V, 50 Hz

AC – Low voltage control



Remark: The mains voltage and the desired voltage of the control have to be specified for ordering spare parts concerning the low voltage control!

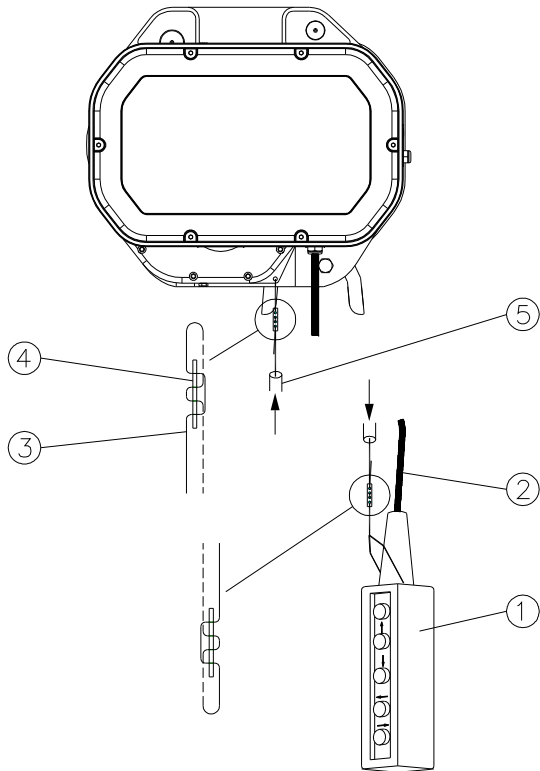
Spare part list POWER LIFTKET version 235/50; 400 V, 50 Hz

AC – Low voltage control

No.:	Piece	Description	Order no.: 235/50 12500/1-6,4/1,6 25000/2-3,2/0,8
1	1	Low voltage control with emergency stop complete (w/o cap) consisting of:	11 9 235 50 000/0 Pos. 3-12
2	1	Low voltage control without emergency stop complete (w/o cap) consisting of:	11 9 235 50 000/0 O Pos. 3, 5-12
3	1	Console with top hat rails and fastening set complete consisting of:	11 9 235 50 001/0 1 console for low voltage control with rivetted top hat rails 3 hex. socket cap screws M5x14 DIN 912 3 tooth lock washers A 5,3
4	1	Contactor for emergency stop K1	74 3LC1D 32024
5	2	Contactor for lifting / lowering K2, K3	74 3LC2D 32024
6	1	Contactor for 2. lifting speed K4	74 3LC1D 48024
7	1	Triggering unit 24V	20 5INT0 69024
8	1	Transformer	88 ST063 0U024 1 Transformer
9	1	Primary fuse with cartridge	20 00060 00080 1 fuse holder 20 00060 00082 1 micro fuse 1,25 A
10	1	Secondary fuse with cartridge	20 00060 00081 1 fuse holder 20 00060 00085 1 micro fuse 2,5 A
11	1	Set of terminal blocks	11 9 235 50 500/0 3 earth conductor 20 two-conductor through terminal blocks 4 mm ² 8 two-conductor through terminal blocks 6 mm ² 1 separating wall 1 end plate
12	1	Rectifier complete consisting of:	11 9 00X 018/0 1 rectifier conductor board equipped 20 00040 00040M 1 bracket for rectifier 11 0 00X 018/0 2 slotted cheese head screws M3x8 DIN 84

Spare part list POWER LIFTKET version 235/50; 400 V, 50 Hz

AC – Control pendant



Remark: Due to the different wiring diagrams in the respective production periods the spare part pendants will be delivered non-wired. The wiring diagram will be enclosed.

Spare parts no. 1 control pendant and no. 2 control cable

Order no. control pendant	No. of buttons	Switching functions	Control cable	Order no. control cable
81 A0200 00000	2	lifting / lowering 2- steps	5G1,5	45 0H070 05G15
81 A0200 000NH	3	lifting / lowering 2- steps with emergency stop	7G1,5	45 0YMH0 07G15
81 A0201 00000	4	lifting / lowering 2- steps travelling left / travelling right 1 - step	12G1,5	45 0H070 12G15
81 A0201 000NH	5	lifting / lowering 2- steps travelling left / travelling right 1 - step with emergency stop	12G1,5	45 0H070 12G15
81 A0202 00000	4	lifting / lowering 2- steps travelling left / travelling right 2 - steps	12G1,5	45 0H070 12G15
81 A0202 000NH	5	lifting / lowering 2- steps travelling left / travelling right 2 - steps with emergency stop	12G1,5	45 0H070 12G15

Spare part list POWER LIFTKET version 235/50; 400 V, 50 Hz

AE – Control pendant

Single spare parts for control pendant

Order no.	Switching functions	
81 ZB2BE 00102	contactor blocks	emergency stop
81 XEN0G 01191		2-steps (lifting/lowering or travelling)
81 ZB2BE 00101		1-step (lifting, lowering, travelling)
81 ZB2BE 00201		2nd step (lifting or lowering)
74 3LA9D 09020	mechanical interlock	
81 ZA2BS 00834	emergency stop - button	
81 XAC0B 09111	rubber spare parts for buttons	white
81 XAC0B 09112	for 1-step function	black
81 XAC0B 09211	rubber spare parts for buttons	white
81 XAC0B 09212	for 2-step function	black

Single spare parts for strainer clamp

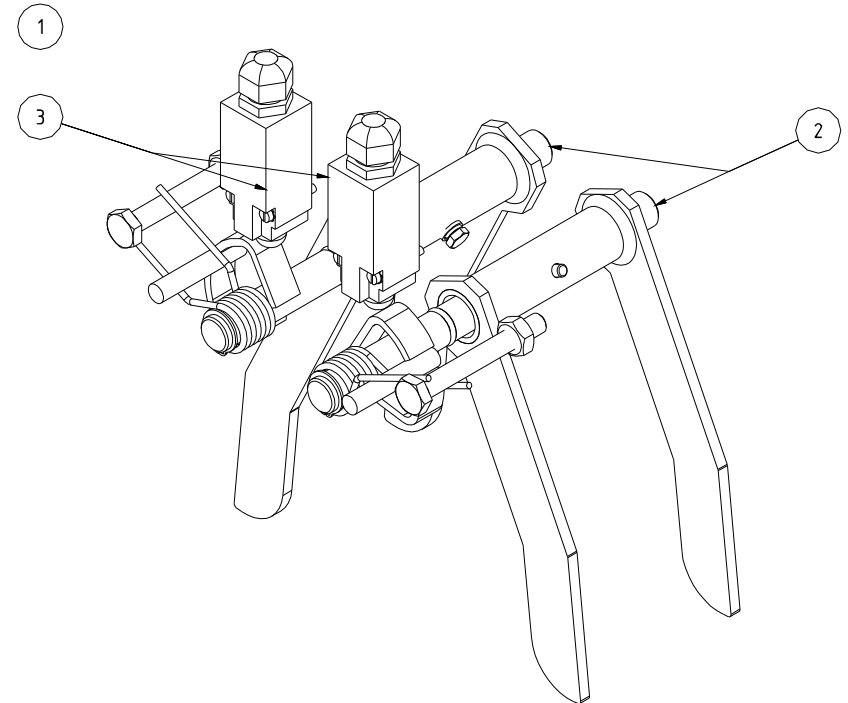
No.	Piece	Description	Order no.
3	length in metre *)	wire	18 03055 02000
4	2	sheet metal for strainer clamp	45 0 00A 001/0
5	2	insulating tube	42 00000 00012

*) remark: The necessary length of the wire of strainer clamp results from the length of the control cable plus 0,5 m.

Spare part list POWER LIFTKET version 235/50; 400 V, 50 Hz

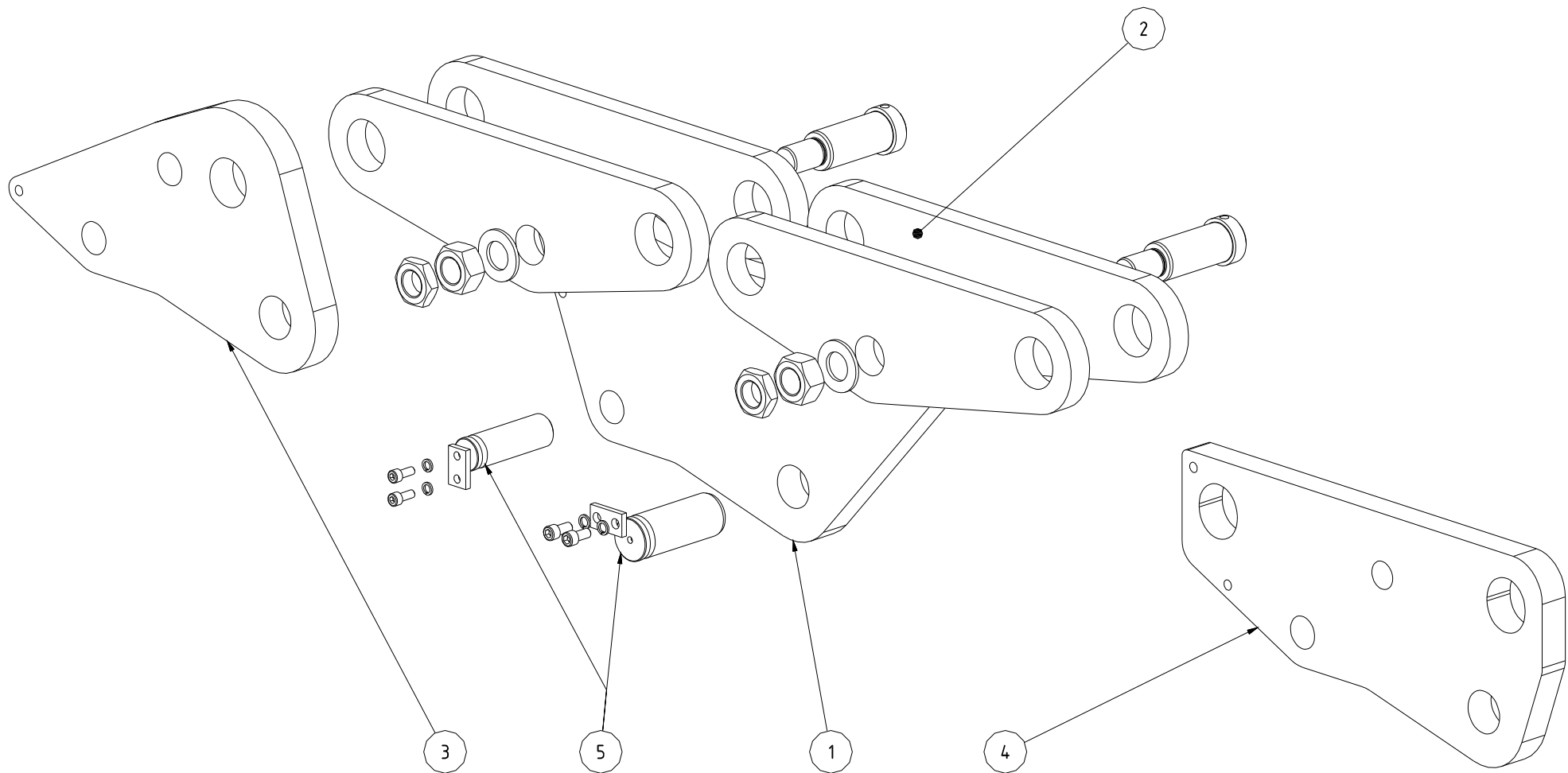
AF – Electric limit switches

No.:	Piece	Description	Order no.: 235/50 12500/1-6,4/1,6 25000/2-3,2/0,8
1	1	Modul electric limit switch complete consisting of no. 2 and 3:	46 9 235 50 000/0 1 Electric limit switch complete
2	1	Shaft for electric limit switch complete consisting of:	46 9 235 50 001/0 2 shafts for electric limit switch <i>46 2 235 50 002/0</i> 2 leg spring <i>01 0 00X 023/0</i> 2 actuators for lifting / lowering <i>46 2 235 50 001/0</i> 2 hexagon head screws M6x45 DIN 933 2 spring lock washers 6,1 DIN 7980 2 washers A6,4 DIN 125 2 retaining rings 18 DIN 471 2 O- ring 12 x 3 DIN 3601 2 hexagon head bolts M10x80 DIN 931 2 hexagon nuts M10 DIN 934 2 sealing rings A10x13,5 AL DIN 7603
3	2	Electric limit switches complete consisting of:	01 9 00X 217/0 1 position switch 2 slotted cheese head screws M4x30 DIN 84 2 tooth lock washers A 4,3 DIN 6797



Spare part list POWER LIFTKET version 235/50; 400 V, 50 Hz

AG – Suspension eyes



Spare part list POWER LIFTKET version 235/50; 400 V, 50 Hz

AG – Suspension eyes

Section 01: Suspension 25 to - stationary or on 2 trolleys with traverse

No.:	Piece	Description	Order no.: 235/50 12500/1-6,4/1,6 25000/2-3,2/0,8
1	1	Suspension eye 25 to	55 0 235 50 001/0 1 suspension eye 25 to
2	1	Traverse complete consisting of:	55 2 235 50 001/0 1 suspension eye 25 to 4 traverses 2 bolts for traverse 4 washers 37 DIN 125 4 hexagon nuts M36x1,5 DIN 934 4 thin hexagon nuts M36x1,5 DIN 936 1 set of bolts complete (no. 5)
5	1	Set of bolts complete consisting of:	03 9 235 50 210/0 1 bolt Ø42mm 2 hex. socket cap screws M10x25 DIN 912 2 spring lock washers 10,1 DIN 7980 1 axle guard Ø42mm 1 bolt Ø55mm 2 hex. socket cap screws M12x25 DIN 912 2 spring lock washers 12,1 DIN 7980 1 axle guard Ø55mm

Section 02: Single hole suspension eye - 25 to

No.:	Piece	Description	Order no.: 235/50 12500/1-6,4/1,6 25000/2-3,2/0,8
3	1	Single hole suspension eye 25 to	55 0 235 50 003/0 1 single hole suspension eye 25 to
5	1	Set of bolts complete consisting of:	03 9 235 50 210/0 1 bolt Ø42mm 2 hex. socket cap screws M10x25 DIN 912 2 spring lock washers 10,1 DIN 7980 1 axle guard Ø42mm 1 bolt Ø55mm 2 hex. socket cap screws M12x25 DIN 912 2 spring lock washers 12,1 DIN 7980 1 axle guard Ø55mm

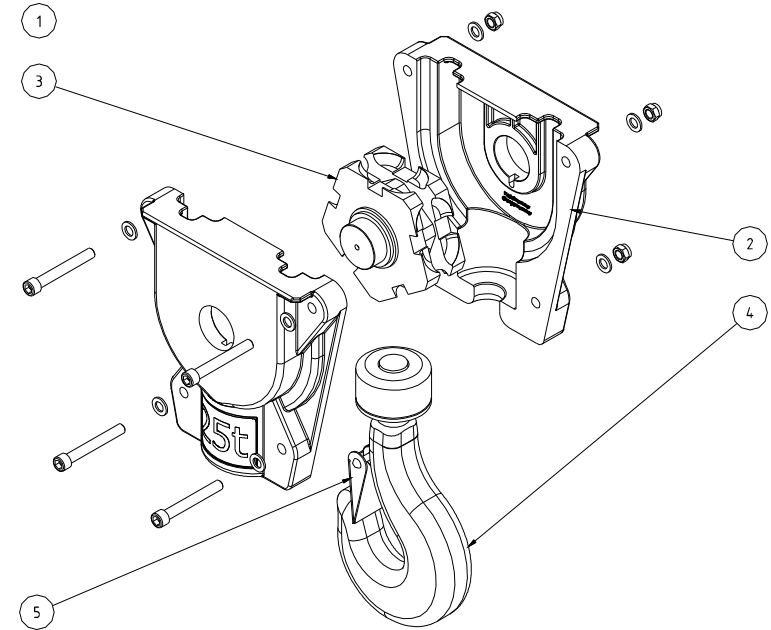
Section 03: Suspension eye - 12,5 to

No.:	Piece	Description	Order no.: 235/50 12500/1-6,4/1,6 25000/2-3,2/0,8
4	1	Suspension eye 12,5 to	55 0 235 50 004/0 1 suspension eye 12,5 to
5	1	Set of bolts complete consisting of:	03 9 235 50 210/0 1 bolt Ø42mm 2 hex. socket cap screws M10x25 DIN 912 2 spring lock washers 10,1 DIN 7980 1 axle guard Ø42mm 1 bolt Ø55mm 2 hex. socket cap screws M12x25 DIN 912 2 spring lock washers 12,1 DIN 7980 1 axle guard Ø55mm

Spare part list POWER LIFTKET version 235/50; 400 V, 50 Hz

AH – Hook block

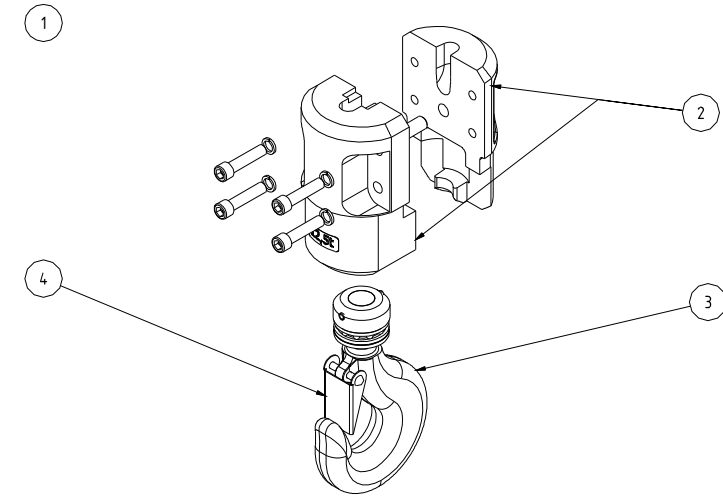
No.:	Piece	Description	Order no.: 235/50 12500/1-6,4/1,6 25000/2-3,2/0,8
1	1	Hook block complete	20 2 235 50 000/0 1 hook block complete
2	1	Casing of the hook block complete consisting of:	20 9 235 50 001/0 2 casings for hook block 4 hex. socket cap screws M16x120 DIN 912 4 self locking nuts 16 DIN 985 8 washers A17 DIN 125
3	1	Sprocket wheel complete consisting of:	20 9 235 50 005/0 1 sprocket wheel 1 bearing bolt 1 parallel pin 8x32 DIN 7 2 thrust rings
4	1	Load hook complete	30 00300 06000 1 load hook GSN 6
5	1	Safety latch complete	30 00300 06001 1 safety latch 6 complete



Spare part list POWER LIFTKET version 235/50; 400 V, 50 Hz

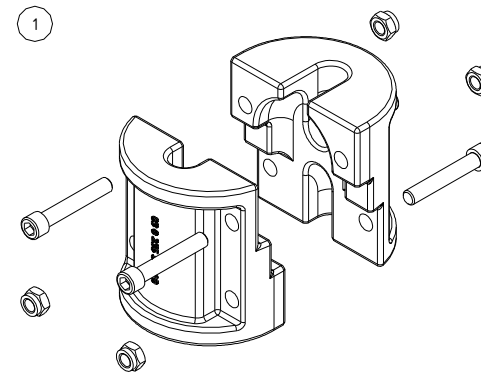
AJ – Hook tackle

No.:	Piece	Description	Order no.: 235/50 12500/1-6,4/1,6 25000/2-3,2/0,8
1	1	Hook tackle complete	15 2 235 50 000/0 1 load hook complete
2	1	Casing of the hook tackle complete consisting of:	15 9 235 50 001/0 1 casing for hook tackle 1 cover for casing 1 safety bolt 4 hex. socket cap screws M16x70 DIN 912 4 spring lock washers 16 DIN 7980
3	1	Load hook complete consisting of:	20 9 00X 002/0 1 load hook GSN 4
4	1	Safety latch complete consisting of:	30 00300 04001 1 safety latch 2,5 and 4 complete



AK – Lift limiter

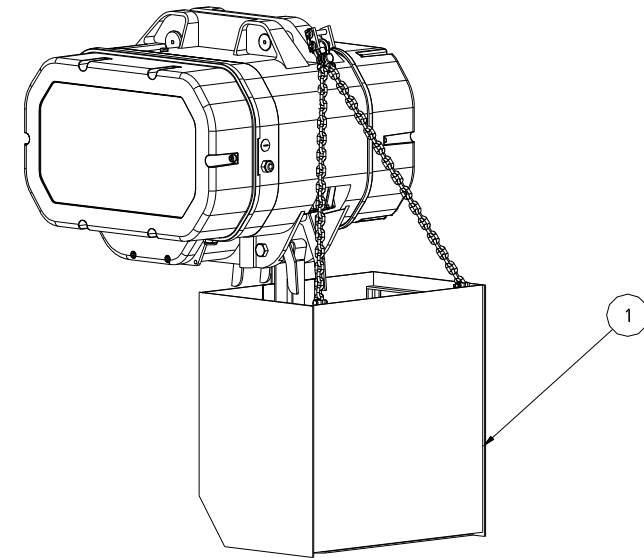
No.:	Piece	Description	Order no.: 235/50 12500/1-6,4/1,6 25000/2-3,2/0,8
1	1	Lift limiter complete consisting of:	03 2 235 50 010/0 2 casings of lift limiter 4 hex. socket cap screws M12x70 DIN 912 4 self locking nuts M12 DIN 985



Spare part list POWER LIFTKET version 235/50; 400 V, 50 Hz

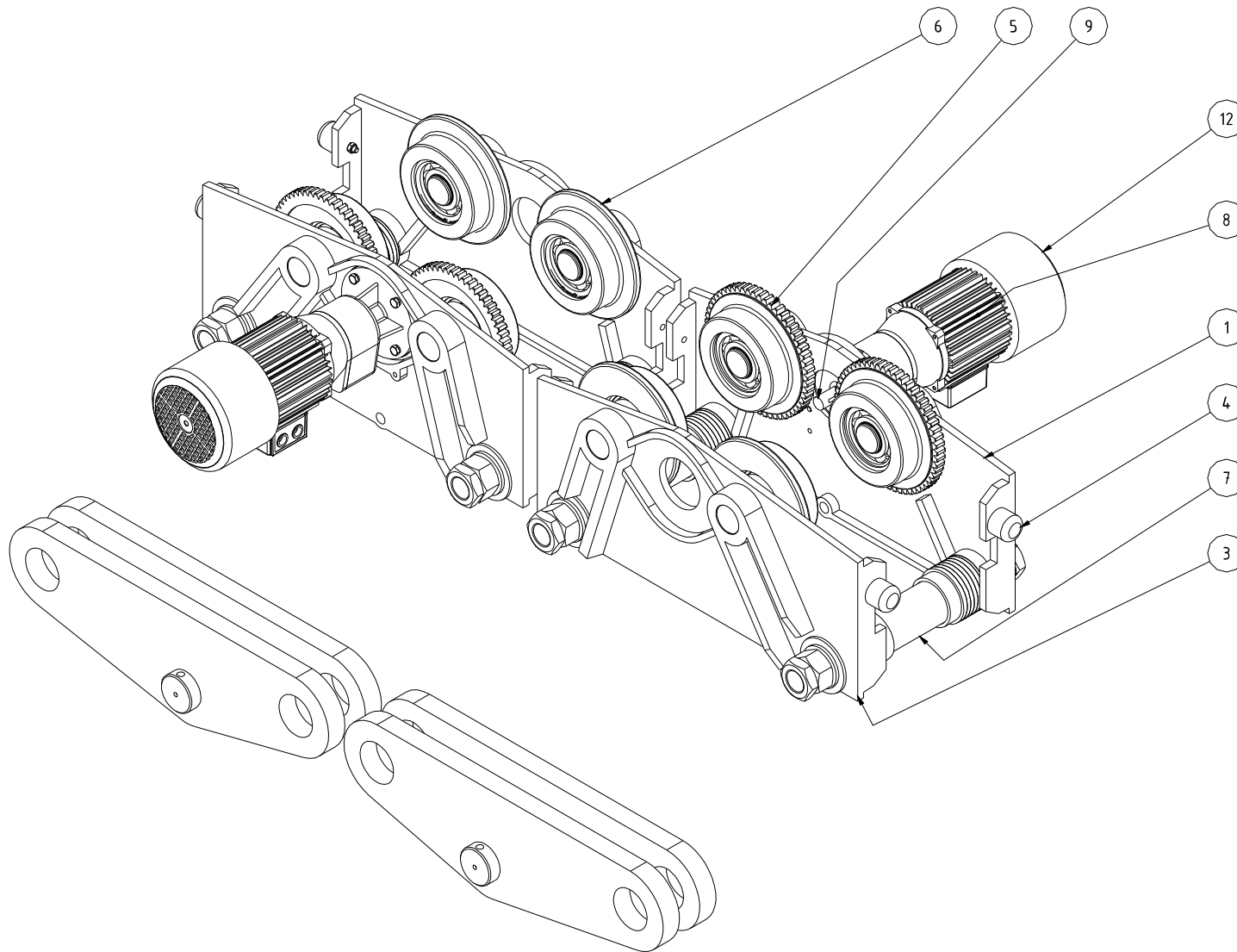
AL – Chain box

Chain box type	Storage volume maximum	Order no. Chain box complete
23/20	20 m	29 2 235 50 000/0
23/30	30 m	29 2 235 51 000/0
23/40	40 m	29 2 235 52 000/0
23/50	50 m	29 2 235 53 000/0
23/60	60 m	29 2 235 54 000/0



Spare part list POWER LIFTKET version 235/50; 400 V, 50 Hz

BC – Electric trolley



Remark: The suspension traverse for use with two electric trolleys are described in chapter AG - suspension eyes.

Spare part list POWER LIFTKET version 235/50; 400 V, 50 Hz

BC – Electric trolley

Flange width N (140-230 mm)

Flange width S1 (220-310 mm)

No.:	Piece	Description	Order no.: 235/50 EF 12500 4+16 m/min	12500/1-6,4/1,6	Order no.: 235/50 2x EF 12500 4+16 m/min	25000/2-3,2/0,8
1	1	Motor side plate complete consisting of:			39 9 00X 002/1 1 side plate with wheel emergency bracket 2 bolts for wheel 2 wheels 2 grooved ball bearings 6309 2RSR 4 retaining rings 100 DIN 472 2 retaining rings 45 DIN 471 2 rubber buffer <i>AH 01 35 00040 NO000</i> 2 hexagon nuts M8 DIN 934 2 spring lock washers 8,1 DIN 7980	
2	1	Rod flange width N consisting of:	39 9 00X 036/1 1 rod 2 thin hexagon nuts M16x1,5 DIN 936		---	
	1	Rod flange width S1 consisting of:	39 9 00X 036.1/1 1 rod 2 thin hexagon nuts M16x1,5 DIN 936		---	
3	1	Side plate (ungeared) complete consisting of:			39 9 00X 001/1 1 side plate with wheel emergency bracket 2 bolts for wheel 2 wheels 2 grooved ball bearings 6309 2RSR 4 retaining rings 100 DIN 472 2 retaining rings 45 DIN 471 2 rubber buffer <i>35 00040 NO000</i> 2 hexagon nuts M8 DIN 934 2 spring lock washers 8,1 DIN 7980	

Spare part list POWER LIFTKET version 235/50; 400 V, 50 Hz

BC – Electric trolley

No.:	Piece	Description	Order no.: 235/50 EF 12500 4+16 m/min	12500/1-6,4/1,6	Order no.: 235/50 2x EF 12500 4+16 m/min	25000/2-3,2/0,8
4	1	Rubber buffer complete consisting of:			39 9 00X 100/0 1 rubber buffer 2 hexagon nuts M8 DIN 934 2 spring lock washers 8,1 DIN 7980	
5	2	Geared wheel complete (for all flange widths) consisting of:			39 9 00X 011/0 1 wheel 1 grooved ball bearing 6309 2RSR 2 retaining rings 100 DIN 472 1 retaining ring 45 DIN 471	
6	2	Ung geared wheel complete (for all flange widths) consisting of:			39 9 00X 010/0 1 wheel 1 grooved ball bearing 6309 2RSR 2 retaining rings 100 DIN 472 1 retaining ring 45 DIN 471	
7	1	Set of suspension bolts N complete consisting of:	39 9 00X 014/0 2 suspension bolts N 4 distance tubes N für B13 4 distance washers 46 24 washers 46 DIN 125 4 washers 37 DIN 125 2 hexagon nuts M36x1,5 DIN 934 2 thin hexagon nuts M36x1,5 DIN 936 4 hex. socket cap screws M12x25 DIN 912		39 9 00X 014/0 2 suspension bolts N 4 distance tubes N für 235/50 4 distance washers 46 24 washers 46 DIN 125 4 washers 37 DIN 125 2 hexagon nuts M36x1,5 DIN 934 2 thin hexagon nuts M36x1,5 DIN 936 4 hex. socket cap screws M12x25 DIN 912	
	1	Set of suspension bolts S1 complete consisting of:	39 9 00X 014.1/0 2 suspension bolts S1 4 distance tubes S1 für B13 4 distance washers 46 24 washers 46 DIN 125 4 washers 37 DIN 125 2 hexagon nuts M36x1,5 DIN 934 2 thin hexagon nuts M36x1,5 DIN 936 4 hex. socket cap screws M12x25 DIN 912		39 9 00X 014.1/0 2 suspension bolts S1 4 distance tubes S1 für 235/50 4 distance washers 46 24 washers 46 DIN 125 4 washers 37 DIN 125 2 hexagon nuts M36x1,5 DIN 934 2 thin hexagon nuts M36x1,5 DIN 936 4 hex. socket cap screws M12x25 DIN 912	

Spare part list POWER LIFTKET version 235/50; 400 V, 50 Hz

BC – Electric trolley

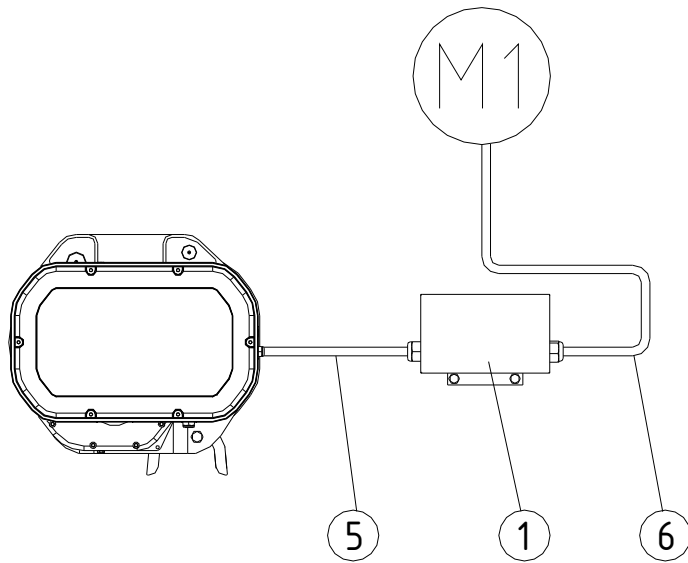
No.:	Piece	Description	Order no.: 235/50 EF 12500 4+16 m/min	12500/1-6,4/1,6	Order no.: 235/50 2x EF 12500 4+16 m/min	25000/2-3,2/0,8
8	1	Travelling motor complete (for all flange widths) consisting of:			39 9 00X 221/1 1 motor complete with: 1 rectifier 1 pinion complete 4 hexagon head screws M8x25 DIN 933 4 spring lock washers 8,1 DIN 7980	
9	1	Pinion complete consisting of:			39 9 00X 013/0 1 pinion 1 end plate 1 hexagon head screws M6x16 DIN 933 1 spring lock washer 6,1 DIN 7980 1 close tolerance grooved pin 2x6 DIN 1472	
10	1	Rectifier			20 00040 000E2 1 rectifier	
11	1	Fan impeller			55 6EFB2 00005 1 fan impeller	
12	1	Cap for fan			55 6EFB2 00006 1 cap for fan	

Remark: The suspension traverse for use with two electric trolleys are described in chapter AG - suspension eyes.

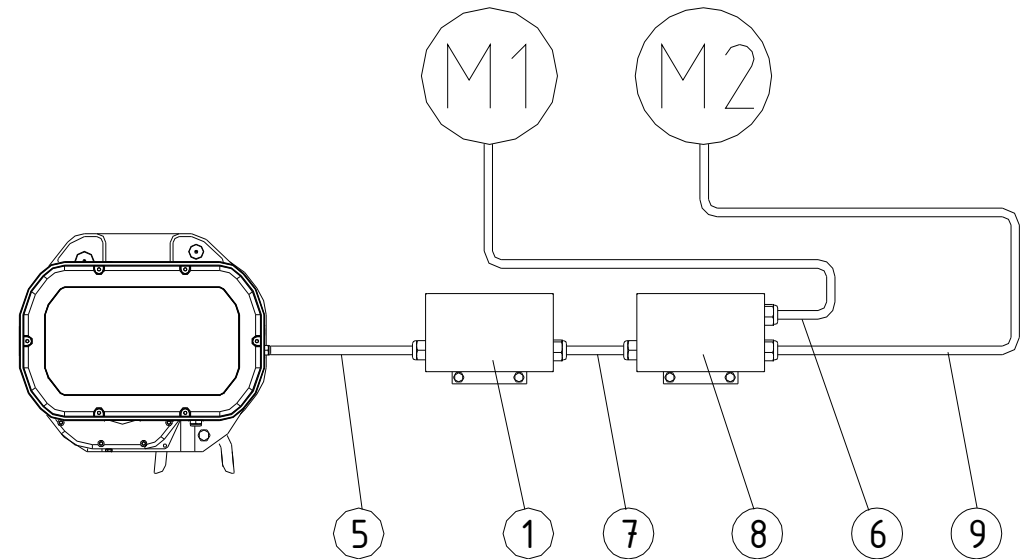
Spare part list POWER LIFTKET version 235/50; 400 V, 50 Hz

BE – Low voltage control for electric trolleys

Low voltage control for 1 trolley



Low voltage control for 2 trolleys



Spare part list POWER LIFTKET version 235/50; 400 V, 50 Hz

BE – Low voltage control for electric trolleys

No.:	Piece	Description	Order no.: 235/50 EF 12500 4+16 m/min	12500/1-6,4/1,6	Order no.: 235/50 2x EF 12500 4+16 m/min	25000/2-3,2/0,8
1	1	Terminal box complete consisting of:			41 2 235 50 001/0 1 terminal box 1 base plate 1 contactor for travelling left/right 1 contactor for fast speed 2 screwed cable glands M20x1,5 with counter nuts cable LIFT – low voltage control cable low voltage control – motor 1	
2	1	Contactor K5, K6			74 3LC2K 91024	
3	1	Contactor K7			74 3LC1K 98024	
4	1	Screwed cable gland with counter nut			50 00100 M2015G 50 00300 20002G	
5	2,0 m	Cable LIFT – low voltage control			45 NYSLY 12010	
6	1,5 m	Cable low voltage control - motor 1			45 NYSLY 07015	
7	1	Cable low voltage control - junction box	---		45 NYSLY 07015	
8	1	Junction box complete consisting of:	---		41 2 235 50 002/0 1 junction box 1 base plate 1 set of terminal blocks for master and slave control 3 screwed cable glands M20x1,5 with counter nuts cable low voltage control - junction box cable junction box – motor 2	
9	1	Cable junction box - motor 2	---		45 NYSLY 07015	