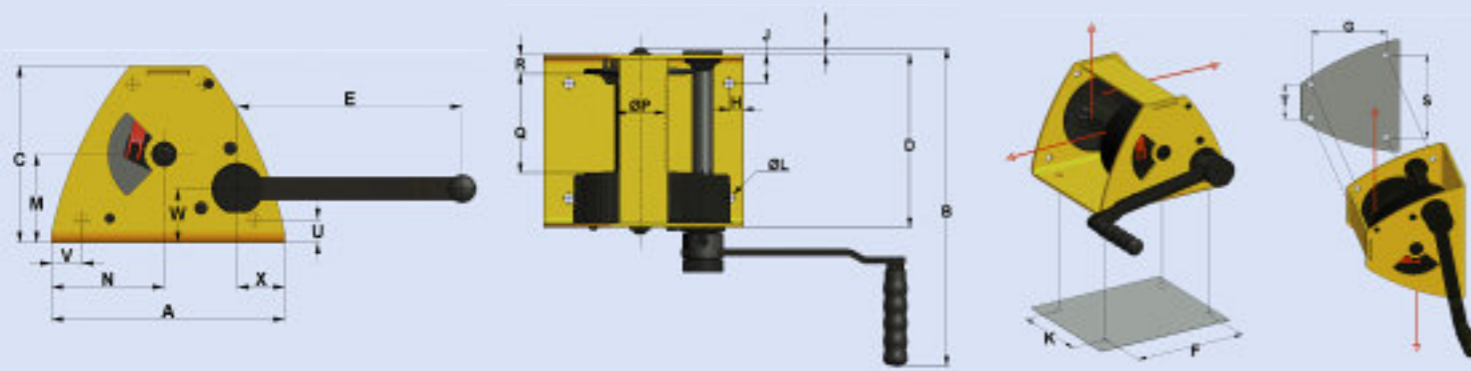




## Spurgears Hand Winch **MANIBOX GR**

150 to 2000 kg



Capacity kg	A	B	C	D	E	F	G	H	I	J	K	øL	M	N	øP	Q	R	S	T	U	V	W	X
150	180	325	147	157	340	154	100	13	4	22	114	8ø9	73	90	40	77	24	132	48	31	24	73	90
300	249	400	190	217	240	200	145	18	8	37	144	8ø13	95	120	62	124	25	184	76	25	33	58	51
500	249	400	190	217	240	200	145	18	8	37	144	8ø13	95	120	62	124	25	184	76	25	33	58	51
1000	410	485	305	300	340	370	-	20	10	32	236	4ø17	145	200	103	180	35	-	-	-	-	104	68
2000	510	585	360	400	340	440	-	35	11	38	325	4ø21	151	187	118	248	47	-	-	-	-	267	191

Type	Capacity on the first layer kg	Capacity on the last layer kg	Number of layers	Wire rope		Crank force kg	Lift per crank revolution mm	Weight (without rope) kg
				ø mm	Capacity maxi (m)			
GR 150	280	150	6	4	19	20	138	5.6
GR 300	520	300	6	5	38	12.5	30.5	15
GR 500	790	500	4	6.8	17	19	31.5	15
GR 1000	1480	1000	4	9	30	14.5	16	44
GR 2000	2790	2000	3	13	25	16.5	9.5	83

## Huchez, a complete range of lifting equipment



60420 Ferrières (Oise) - France  
Tel. +33 344 511 133 - Fax +33 344 511 313

[www.huchez.fr](http://www.huchez.fr)

Création : Diagramme 03 20 65 82 58 - 04/2008



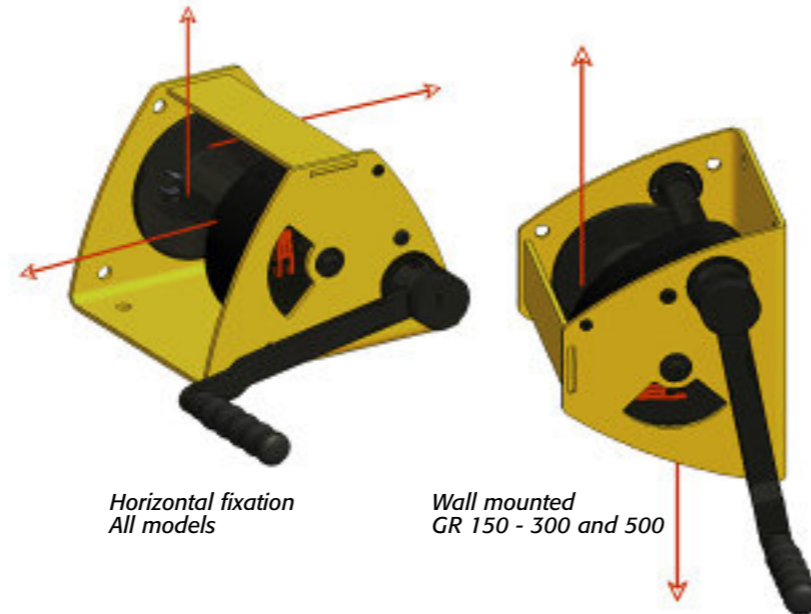


# SPURGEARS HAND WINCH. MANIBOX GR 150 to 2000 kg

## Use: lifting or pulling

Position on the flat or wall-mounted (up to 500 kg)

- Industry.
- Theatre applications (sceneries...).
- Water treatment, water retentions.
- Transports: trailers, barges.
- Sports rooms.
- Suspensions...
- **Available in stainless steel and galvanized version.**
- **Registered trade mark.**
- **Complies with standard EN 13157.**

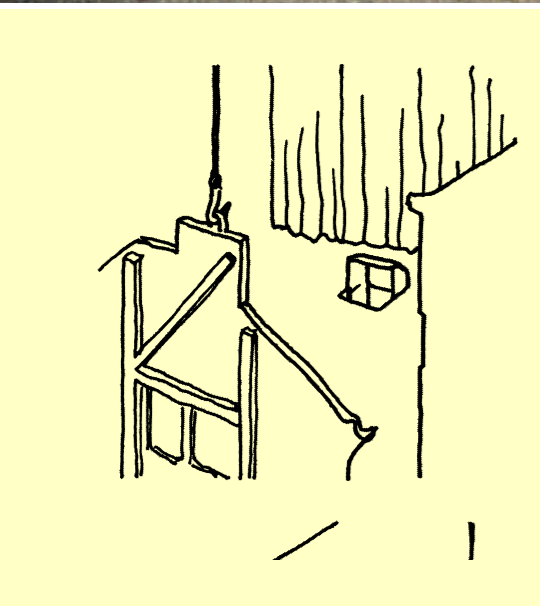


Horizontal fixation  
All models

Wall mounted  
GR 150 - 300 and 500

## Technical description:

- Mechanical parts machined and protected by cathaphoresis.
- Stainless steel ratchet spring.
- Straight-cut gears.
- Automatic brake made of composite material.
- Reduction system protected by metal or plastic cover, ensuring total safety.
- Drum disengageable under no load and patented system to prevent winding the cable the wrong way.
- Ergonomic and removable crank handle with rotating grip. The crank length is adjustable for maximum mechanical advantage (to handle heavy loads) or quick winding up of light loads (or rewinding).
- Captive tightening knob.



## STRONG POINTS



Mechanic has undergone the most severe tests.



Automatic brake with ratchet and stainless steel spring offering optimum proof for this type of winch.



Releasable drum using a security system: impossible to release it when loaded.

Captive crank adjusting knob.

Adjustable crank handle for fast winding or otherwise, maximum capacity.

Highly reliable rope fastener, not requiring any special tool. With rope winding direction polarize.

Security: gears protected by a security hooding. With a specially designed opening greasing.

