

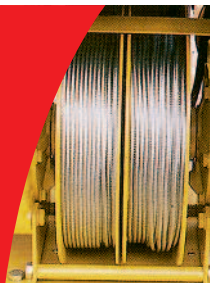
PERSONNEL LIFTING



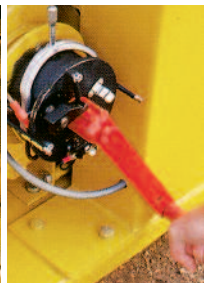
SÉCURITREUIL®



STRONG POINTS



*Two independent ropes
Breaking load
1600 kg on each.
Safety factor of 10.*



*Trouble-shooting
crank handle.*



*No-current brake
In the event of power
failure, the winch stops
automatically with the
brakes applied.*



*Upper limit switch
and out-race*



Lower limit switch



*Two independent winches
One winch ensures the lifting
function and the other the fall arrest
function. Both winches are
synchronized.*

Bretteville Taljer & Maskiner AS
Griniveien 159
1359 EIksmarka
Tlf: 67 16 69 90 - Faks: 67 16 68 11
www.brettevilletaljer.no - Post@brettevilletaljer.no

Technical data and dimensions

Use: personnel lifting

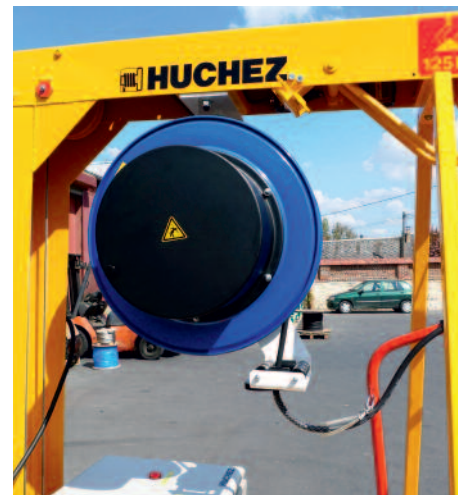
Visits, inspections, access to:

- Silos
- Treatment plant pits
- Bridge piers
- Underground networks, sewers

Technical properties:

Equipment offering all the safety needed for lifting personnel and approved by APAVE (official French safety controls organization)

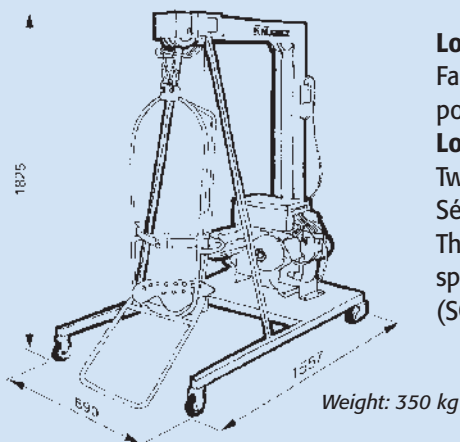
- Galvanized steel, high-strength anti-spin ropes
- Breaking load: 1600 kg on each rope
- 3-phase electric power supply 230 or 400 V - 50 Hz
- Motor power: 0.75 kW
- Working height: 25 or 50 m
- Certificate of CE examination type 2006/42/CE



Spooler



Radio control



Locking system wheels

Facilitate the movement of the Sécuritéreuil and its immobilisation in the working position.

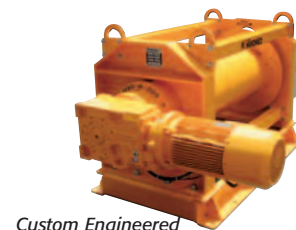
Low voltage electric control

Two 48 volt control boxes provided for. One is mounted on the frame of the Sécuritéreuil and the other on the operator's seat.

The operator's box can be fitted either with spooler (SCT25E) or radiocontrolled (SCT25RC and SCT50RC).

Type	Capacity kg	Speed m/mn	Motor kW	Working height m
SCT25E CE	125	9	TRI 0.75	25
SCT25RC CE	125	9	TRI 0.75	25
SCT50RC CE	125	9	TRI 0.75	50
Load limiter included				

Hucchez, a complete range of lifting equipment



Bretteville Taljer & Maskiner AS
 Griniveien 159
 1359 Elksmarka
 Tlf: 67 16 69 90 - Faks: 67 16 68 11
 www.brettevilletaljer.no - Post@brettevilletaljer.no