

Trolleys | Electrical / Swinging beam

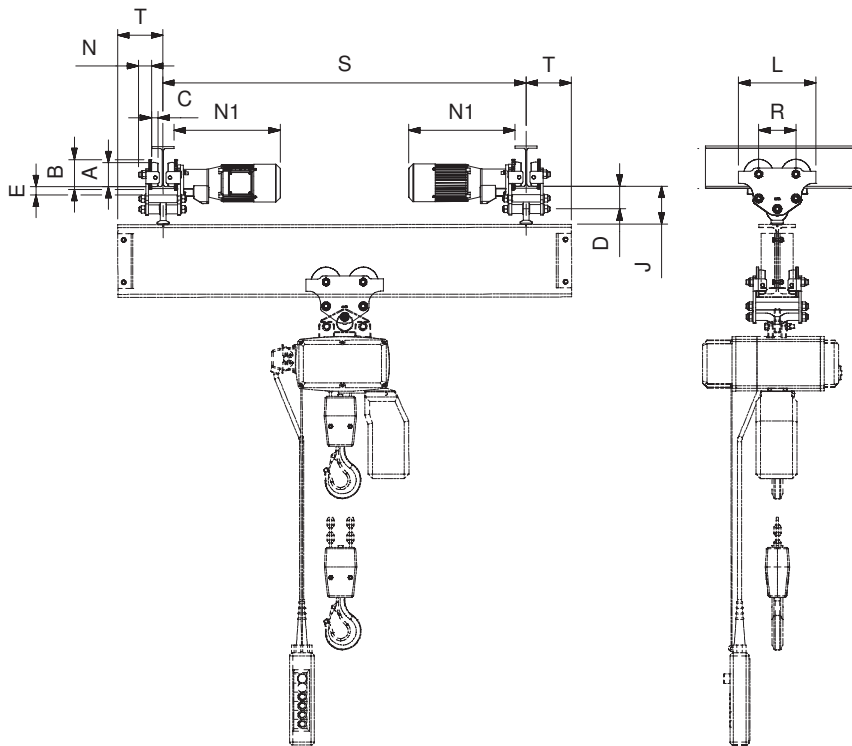
Features:

- Trolley range from 1.100 till 6.500 Kg loading capacity
- Driven by a helical geared motor with electromagnetic brake
- Smooth running across crane gantry by flexible suspension system
- Suspension of crane girder by ball joint
- Material ball joint S355, suitable for welding
- Fixed beam width for specified beam
- Electric galvanized chassis, and wheels
- Suspension set with zinc primer + top coat
- Wheel break supports, and anti-tilt device integrated
- Delivered with motor and gearbox, without contactor controls and control box

- Single speeds design app. 10 m/min. in double speed 5 and 20 m/min
- Motor IP54, ISO F, 400/230V - 3 Ph - 50Hz, standard manufacturers' surface treatment

Optional:

- Mounting plate for bolt suspension to crane girder
- Rubber buffers on trolley
- Load test, with certificate
- For suitable hoist and trolleys see our other pages
- Switch box with 2 relays for crane drive*
- Limit switches, mounted on trolley, excl. cabling
- Special side plates to increase dimension "E"



Technical information:

Projecting the right Swinging beam trolley for your crane:
(example)

Safe Working load crane:	1000
Total weight hoist / trolley unit:	75
Total weight crane girder 250/2=:	125 +
Calculated trolley load	1200

---> See Table, trolley type 22 KN

- 1) For determination of the size of crane girders we refer to page 64 of this catalogue.
- 2) Always state your crane girder type, for production of the suitable mounting plate.
- 3) Maximum span (S) is 8 meters for all capacities.
- 4) For cranes with an outreach larger than T (see table) contact us or your local supplier
- 5) Max. INP profile restriction for 22KN = INP360, 33 KN = INP400, 52/64 KN = INP450.

Trolleys / Electrical / Swinging Beam (Art. group 83100)																										
Max. Trolley Capacity Kg.	Chassis Type	Max. Beam width mm.	Suspension GK...DO	Dimensions												Weight Kg.	Speed 1V m/min	Trolley 83100 1V Art. Nr.	Price € each Trolley + Motor	Relay box* 1V Price €	Speed 2V m/min	Trolley 83100 2V Art. Nr.	Price € each Trolley + Motor	Relay box* 2V Price €	Limit switches Price €	Mounting plate option 2) Price €
				A	B	C	L	R	E	S	T	J	N1	N	D											
2.250	22 KN	113	25	80	100	22	255	123	27	3)	150	120	320	50	75	25	10	..02211		5/20	..02221					
		210	30									..02212						..02222								
		305	35									..02213						..02223								
3.350	33 KN	131	30	100	120	25	300	144	35	3)	175	140	325	60	90	33	10	..-03311		5/20	..-03321					
		220	35									..-03312						..-03322								
		305	40									..-03313						..-03323								
5.300	52 KN	131	35	125	150	30	375	174	40	3)	200	180	345	65	117	50	10	..-05211		5/20	..-05221					
		210	40									..-05212						..-05222								
		310	45									..-05213						..-05223								
6.500	64 KN	106	35	125	150	30	375	174	40	3)	200	180	345	65	117	55	10	..-06411		5/20	..-06421					
		160	40									..-06412						..-06422								
		240	45									..-06413						..-06423								
		310	50									..-06414						..-06424								

* Relay Box : Terminal box with relay switching set, excl. transformer, excl. terminals, mounted on the trolley. Cable from motor to relaybox included. Pendant control switch and control cable excluded. Control voltage 24V or 48V.