

Cranes | Hand operated / Overhead crane



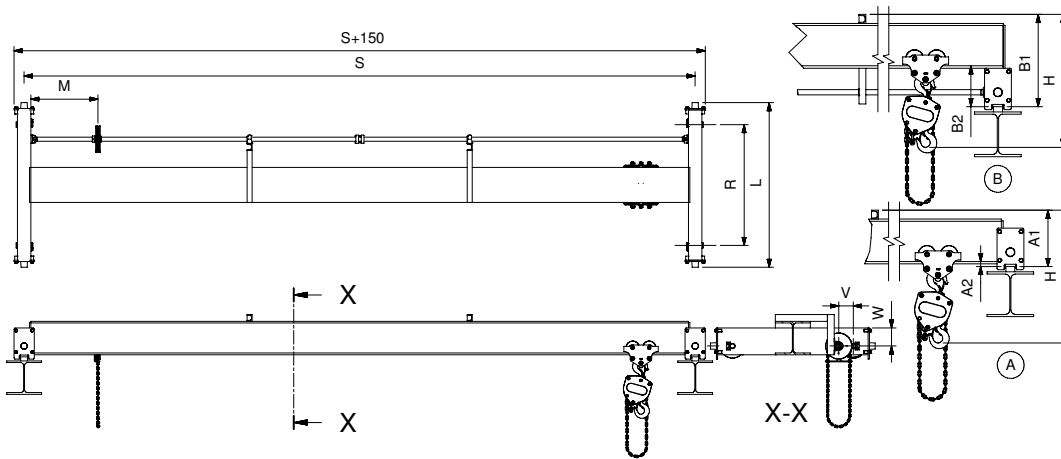
Features:

- Van Leusden overhead cranes are available as complete cranes and as crane kits for self-construction
- Solid steel double flange wheels, suitable for flat rails 50/30 mm
- Low pull force on the chain makes the crane easy to drive
- The cranes are of low maintenance type and have limited wear and tear parts
- The cranes delivered complete with: Manual geared drive, Control height 3 m, control chain, Surface protection Shot blasting + primer + top coat in RAL1007, S.W.L. Sticker, Users manual
- Crane kits for crane-constructors: A complete set of

wheel boxes, with transversal shaft, bearing blocks, hand chain wheel, hand chain, accompanied by a dimensional sketch. Shot blasted + primer, Basic welding execution, Crane girder to be welded to the wheelboxes, Crane girder to be provided by crane-constructor

Optional:

- Wheel boxes with screw fittings to the crane girder.
- Higher capacities, double girder cranes, low headroom types
- Special surface treatment
- For suitable Hoist and Trolley units see our other catalogue pages



Technical information:

- 1) Max. Girder deflection 1/600 of span. Mentioned values are for complete manual driven cranes.
- 2) Values mentioned between (...) are corresponding a girder deflection of 1/750 of span. This value shall be used for cranes with electric driven hoist and trolley or crane travel motions.
- 3) Specify A or B type crane with order.

Cranes / Hand operated / Overhead crane (Art. group 86000)

S.W.L. Kg.	S m 1) 2)	R mm	L mm	Wheels mm	A1 mm	A2 mm	B1 mm	B2 mm	Max. Weight. Hoist+Trolley Kg	Max. Wheelload [kN]	Handchain Force Kg	Crane 86100.. Art. Nr.	Price Crane Excl. € Hoist/Trolley	Crane Kit 86150.. Art. Nr.	Price Crane kit €	Screw Fittings Boltset incl. €
500	- 4.10 (- 3.70)	800	1090	125/150	196	21	346	171	100	3.4	10	..05001		..05001		
	- 5.25 (- 4.75)	800	1090	125/150	196	21	346	171		3.8	10	..05002		..05002		
	- 6.75 (- 6.00)	800	1090	125/150	215	22	365	172		3.9	10	..05003		..05003		
	- 8.25 (- 7.40)	1000	1290	125/150	234	22	384	172		4.0	11	..05004		..05004		
1.000	- 3.95 (- 3.55)	800	1090	125/150	215	22	365	172	105	6.0	15	..10001		..10001		
	- 5.00 (- 4.50)	800	1090	125/150	215	22	365	172		6.1	15	..10002		..10002		
	- 6.00 (- 5.50)	800	1090	125/150	234	22	384	172		6.3	15	..10003		..10003		
	- 7.50 (- 6.70)	1000	1290	125/150	253	23	403	173		6.5	17	..10004		..10004		
2.000	- 9.10 (- 8.10)	1200	1490	125/150	273	24	423	174	150	6.9	20	..10005		..10005		
	- 3.40 (- 3.10)	800	1090	125/150	203	25	353	175		11.1	19	..20001		..20001		
	- 5.75 (- 5.75)	800	1090	125/150	273	24	423	174		11.5	21	..20002		..20002		
	- 7.75 (- 7.00)	1000	1290	125/150	293	25	443	175		12.0	23	..20003		..20003		
3.200	- 9.10 (- 8.10)	1200	1490	125/150	313	25	463	175	175	12.6	24	..20004		..20004		
	- 5.50 (- 4.90)	800	1090	125/150	263	28	413	178		16.8	21	..32001		..32001		
	- 6.50 (- 5.90)	1000	1290	125/150	283	29	433	179		17.2	23	..32002		..32002		
	- 9.50 (- 8.80)	1400	1690	125/150	353	27	503	177		18.2	25	..32003		..32003		
5.000	- 11.00 (- 9.90)	1400	1690	125/150	373	28	523	178	225	18.8	27	..32004		..32004		
	- 5.00 (- 5.00)	800	1130	160/180	305	32	505	232		27.1	26	..50001		..50001		
	- 6.25 (- 6.25)	800	1130	160/180	325	33	525	233		27.5	27	..50002		..50002		
	- 9.20 (- 9.20)	1200	1530	160/180	415	33	615	233		29.9	30	..50003		..50003		