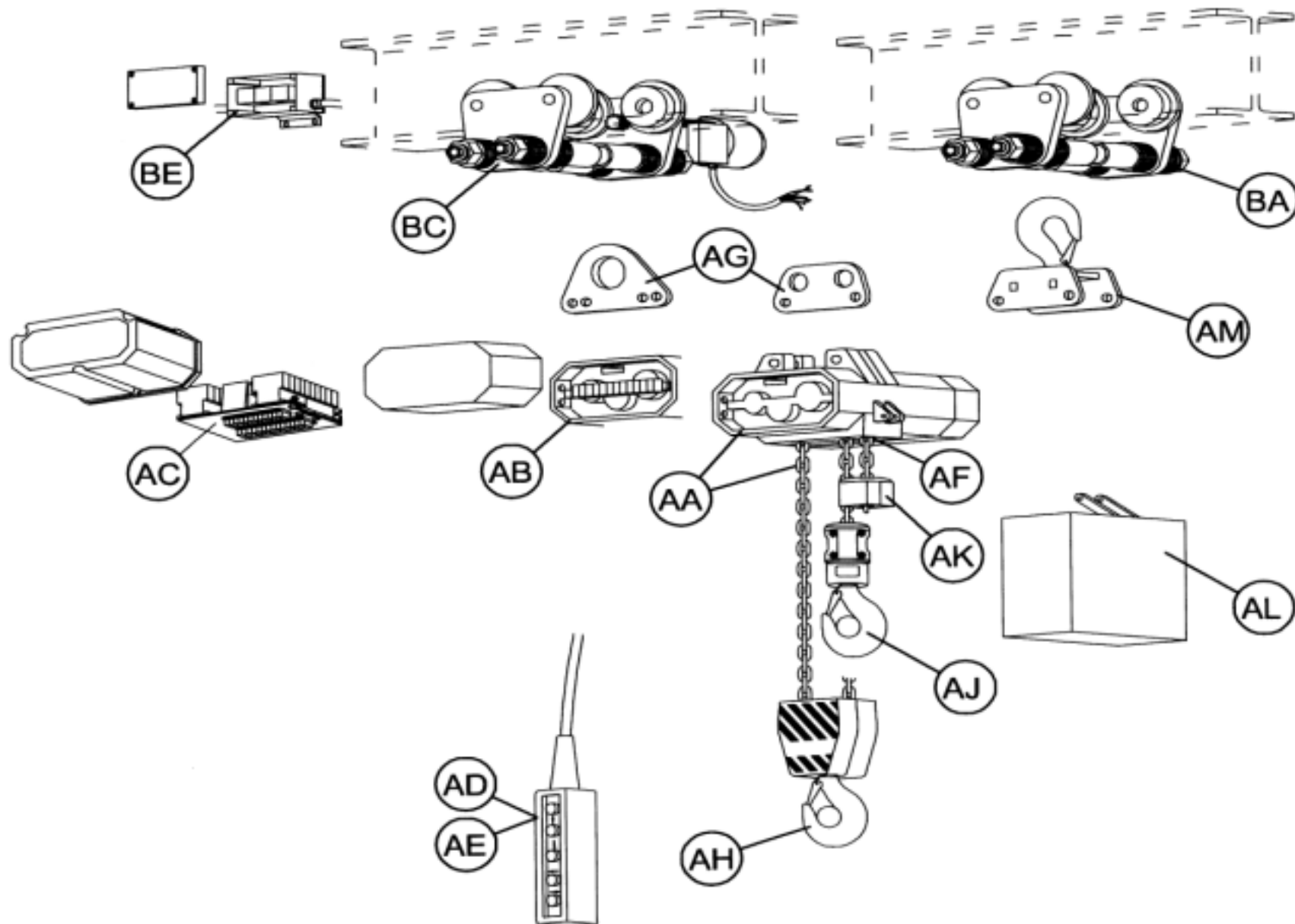


Electric chain hoists LIFTKET

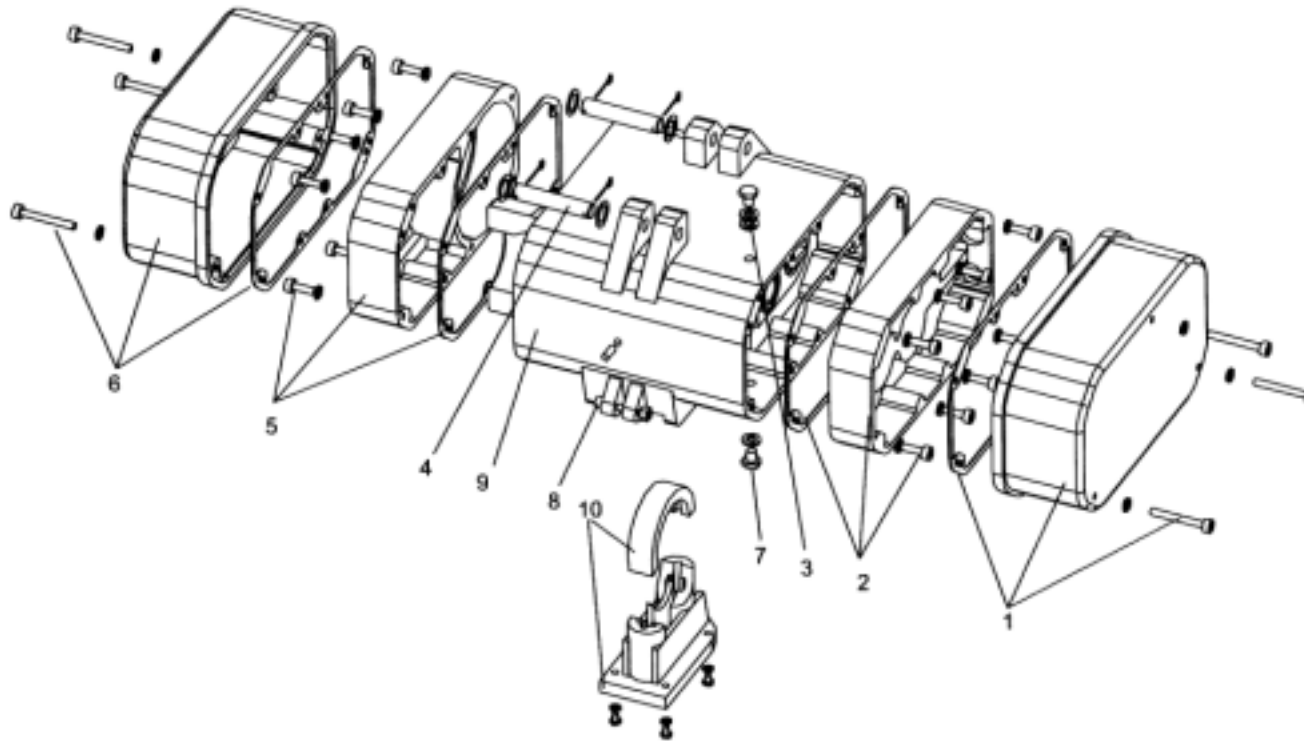
Spare part list	Description of spare part	Page
AA	Lifting gear section 01: hoist body	4
	Version 1-1.3	5
	Version 2-4.2	6
	Version 5-7.2	7
	Version 8.1-9.1	8
	Version 1AK-5.1AK	9
	Lifting gear section 02: clutch – brake	10
	AC brake /brake with lever	Version 1-7 11,12
	Version 1AK-5AK	13,14
	DC brake with counter screws	Version 2-5.1 15-17
	Version 6-9.1	18,19
	Version 2AK-5AK	20,21
	DC brake with brake pressure springs	Version 1-1.3 22,23
	Version 2-4.2	24,25
	Version 5-7.2	26,27
	Version 8.1-9.1	28
	Clutch section for slow speed motor version91	29
	Version 1AK-5AK	30,31
	Lifting gear section 03: motor section	32,33
	Lifting gear section 04: gear section	34
Version 1-1.3	35	
Version 2-4.2	36	
Version 5.1-7.2	37	
Version 8.1-9.1	38	
Version 1AK-5AK	39	
Lifting gear section 05: chain section	40	
AB	Direct control for the hoist	41
	400 Volts 3 ph~	42
	230 Volts 1 ph~	43

Spare part list	Description of spare part	Page
AC	Contact control for the hoist	44-46
AD	Pendant control for the lifting gear direct control	47
AE	Pendant control for the lifting gear contactor control	48
AF	Electric limit switches (contactor control only)	49
AG	Suspension eye	Version 01: single hole suspension eye
		Version 02: double hole suspension eye
Version 01: single hole suspension eye	50	
Version 02: double hole suspension eye	51	
AH	Double fall hook	52
AJ	Single fall hook	53,54
AK	Dead end stopper	55
AL	Chain collector	56
AM	Hook suspension	57
BA	Push trolley	Version 01: suspension bolt for type N
		Version 02: suspension bolt for type S1
		Version 03: suspension bolt for type S2
		58
Version 01: suspension bolt for type N	59	
Version 02: suspension bolt for type S1	59	
Version 03: suspension bolt for type S2	59	
BC	Motorised trolley	Version 01: suspension bolt for type N
		Version 02: suspension bolt for type S1
		Version 03: suspension bolt for type S2
		60
Version 01: suspension bolt for type N	61-63	
Version 02: suspension bolt for type S1	63	
Version 03: suspension bolt for type S2	63	
BD	Direct control for motorised trolley	64
BE	Contact control for electric trolley	64
BG	Tandem trolley for oversized chain collector	65

Electric chain hoist LIFTKET - complete



Spare part list AA – lifting gear section 01: hoist body



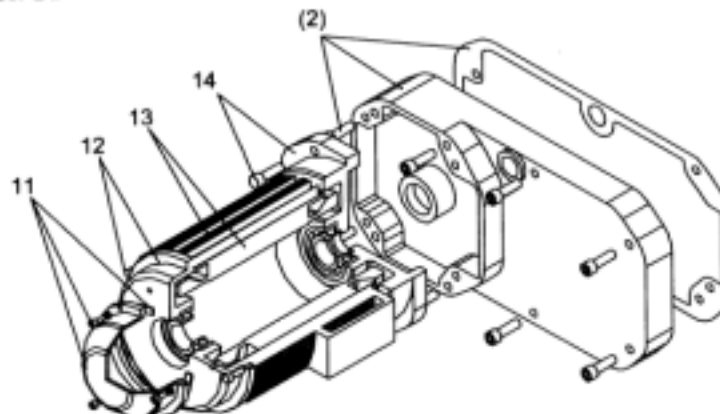
- No. 1 **Cap for gear cover complete** LIFTKET direct control (The caps for contactor controlled hoists must be choose from section AC) consists from: cap, gasket, fastening set
- No. 2 **Gear cover complete** consists from: gear cover, gasket, fastening set
- No. 3 **Oil filling screw**
- No. 4 **Bolt complete** consists from: bolt, washers, pins
- No. 5 **Extension for the hoist body complete** consists from: extension for the hoist body, gasket, fastening set
- No. 6 **Cap for the brake complete** consists from: cap, gasket, fastening set
- No. 7 **Oil draining screw**
- No. 8 **Suspension for chain collector**
- No. 9 **Hoist body complete** consists from: casing, bearings, stator screw, stator (please provide motor type, voltage, frequency mentioned on the type plate of the hoist)
- No. 10 **Chain guide complete** consists from: chain guide, hold down and fastening set

- No. 11 **End cap for sliding clutch complete** consists from: cap, gasket, fastening set
- No. 12 **Bearing plate B – side** consists from: bearing plate, fastening set
- No. 13 **Body for slow speed motor with stator** consists from: slow speed motor with stator (please provide motor data), fastening set
- No. 14 **Bearing plate A – side** consists from: bearing plate, fastening set

If components for the motor are ordered please provide voltage, frequency, output, number of phasesases on the hoist type plate

Slow speed motor version 9.1

Feinhubmotor der Bauform 9.1



Electric chain hoists 400 Volts, 3 phases ~ version 1 – 1.3

spare part list AA – lifting gear section 01: hoist body

No.	Number	Designation	Order-No: B 1/00A 125/1-8 250/2-4	Order-No: B 1/50A 100/1-16 200/2-8	Order-No: B 1.1/00B 250/1-6 500/2-3	Order-No: B 1.1/50B 250/1-10 500/2-5	Order-No: B 1.1/51B 320/1-6	Order-No: B 1.3/00C 160/1-6/1.5 320/2-3/0,75	Order-No: B 1.3/50C 100/1-10/2.5 200/2-5/1,25	Order-No: B 1.3/51C 125/1-8/2 250/2-4/1
1	1	Cap for gear cover complete consists from:	AA 01 01 2 00A 004/1 1 Cap for gear cover AA01 53 01011 00040 1 Gasket AA01 01 0 00A038/0 3 Hex.sock.cap screws M5x50 DIN 912 3 Toothed lock washers A5,1 DIN 6797 AA01 01 3 00A202/0							
2	1	Gear cover complete consists from:	AA 01 01 2 00A 002/0 1 Gear cover AA01 01 0 00A002/0 4 Hex.sock.cap screws M6x25 DIN 912 1 Hex.sock.cap screw M6x35 DIN 912 1 Hex.sock.cap screw M6x45 DIN 912 5 Spring washers 6,1 DIN 7980 1 Sealing ring A6,5x9,5 DIN 7603 2 Parallel pins 6m6x16 DIN 7 AA01 01 3 00A203/0 1 Gasket AA01 01 0 00B039/0	AA 01 01 2 00B 002/0 1 Gear cover AA01 01 0 00B002/0 4 Hex.sock.cap screws M6x25 DIN 912 1 Hex.sock.cap screw M6x35 DIN 912 1 Hex.sock.cap screw M6x55 DIN 912 5 Spring washers 6,1 DIN 7980 1 Sealing ring A6,5x9,5 DIN 7603 2 Parallel pins 6m6x16 DIN 7 AA01 01 3 00B203/0 1 Gasket AA01 01 0 00B039/0	AA 01 01 2 51B 002/0 1 Gear cover AA01 01 0 51B002/0 4 Hex.sock.cap screws M6x25 1 Hex.sock.cap screw M6x35 1 Hex.sock.cap screw M6x55 5 Spring washers 6,1 DIN 7980 1 Sealing ring A6,5x9,5 DIN 7603 2 Parallel pins 6m6x16 DIN 7 AA01 01 3 00B203/0 1 Gasket AA01 01 0 00B039/0	AA 01 01 2 00B 002/0 1 Gear cover AA01 01 0 00B002/0 4 Hex.sock.cap screws M6x25 DIN 912 1 Hex.sock.cap screw M6x35 DIN 912 1 Hex.sock.cap screw M6x55 DIN 912 5 Spring washers 6,1 DIN 7980 1 Sealing ring A6,5x9,5 DIN 7603 2 Parallel pins 6m6x16 DIN 7 AA01 01 3 00B203/0 1 Gasket AA01 01 0 00B039/0				
3	1	Oil filling screw consists from:	AA 01 01 3 00A 200/0 1 Hex.head screw M8x10 DIN 933 1 Toothed lock washer A8,2 DIN 6797 1 Sealing ring A8x12 DIN 7603							
4	2	Bolt complete consists from:	AA 01 01 3 00A 210/0 1 Bolt 12x70x58 DIN 1433 2 Washers 13 DIN 125 2 Splint pins 4x28 DIN 94							
5	1	Extension for the hoist body complete consists from:	AA 01 01 2 00C 092/0 1 Extension for the hoist body AA01 01 0 00C092/0 6 Hex.sock.cap screws M5x25 DIN 912 6 Spring washer 5,1 DIN 7980 2 Parallel pins 6m6x16 DIN 7 AA01 01 3 00C205/0 1 Gasket AA01 01 0 00C040/0							
6	1	Cap for the brake complete consists from:	AA 01 01 2 00A 004/1 1 Cap for the brake AA01 53 01011 00040 1 Gasket AA01 01 0 00A038/0 3 Hex.sock.cap screws M5x50 DIN 912 3 Toothed lock washers A5,1 DIN 6797 AA01 01 3 00A202/0							
7	1	Oil draining screw	AA 01 01 3 00A 201/0 1 Hex.head screw M8x10 DIN 933 1 Sealing ring A8x12 DIN 7603							
8	1	Chain collector suspension	AA 01 01 3 00A 207/0 1 Hex.head screw M5x46 DIN 931 1 Hexagon nut M5 DIN 985							
9	1	Hoist body complete consists from: *power supply for stator: 400 V, 3 ph, 50 Hz	AA 01 01 2 00A 001/0 1 Hoistbody AA01 01 0 00A001/0 1 Stator AA01 55 10560 G4001 1 Roller bearing AA01 96 06003 00000 1 Bush bearing AA01 14 20012 18010 1 Roller bearing AA01 96 06003 00000 1 Cap AA01 01 0 00A037/0 1 Stator screw M6x12 AA01 83 00417 06012	AA 01 01 2 50A 001/0 1 Hoistbody AA01 01 0 00A001/0 1 Stator AA01 55 10560 G2001 1 Roller bearing AA01 96 06003 00000 1 Bush bearing AA01 14 20012 18010 1 Roller bearing AA01 96 06001 00000 1 Cap AA01 01 0 00A037/0 1 Stator screw M6x12 AA01 83 00417 06012	AA 01 01 2 00B 001/0 1 Hoistbody AA01 01 0 00B001/0 1 Stator AA01 55 10560 G2001 1 Roller bearing AA01 96 06003 00000 1 Bush bearing AA01 14 20012 18010 1 Roller bearing AA01 96 06001 00000 1 Cap AA01 01 0 00A037/0 1 Stator screw M6x12 AA01 83 00417 06012	AA 01 01 2 50B 001/0 1 Hoistbody AA01 01 0 50B001/0 1 Stator AA01 55 10560 G2201 1 Roller bearing AA01 96 06003 00000 1 Bush bearing AA01 14 20012 18010 1 Roller bearing AA01 96 06001 00000 1 Cap AA01 01 0 00A037/0 1 Stator screw M6x12 AA01 83 00417 06012	AA 01 01 2 51B 001/0 1 Hoistbody AA01 01 0 51B001/0 1 Stator AA01 55 10560 G2201 1 Roller bearing AA01 96 06003 00000 1 Nadelhülse AA01 96 01210 BHK00 1 Roller bearing AA01 96 06001 00000 1 Cap AA01 01 0 00A037/0 1 Stator screw M6x12 AA01 83 00417 06012	AA 01 01 2 00C 001/0 1 Hoistbody AA01 01 0 00C001/0 1 Stator AA01 55 10630 G2801 1 Roller bearing AA01 96 06003 00000 1 Bush bearing AA01 14 20012 18010 1 Roller bearing AA01 96 06001 00000 1 Cap AA01 01 0 00A037/0 1 Stator screw M6x12 AA01 83 00417 06012		
10	1	Chain guide complete consists from:	AA 01 01 2 00A 008/0 1 Chain guide AA01 53 01011 00080 1 Hold down AA01 53 01011 00290 4 Hex.sock.cap screws M5x16 DIN 7984 4 Toothed lock washers A5,1 DIN 6797 AA01 01 3 00A204/0							

Electric chain hoists 400 V, 3 phases ~ version 2 – 4.2

spare part list AA - lifting gear section 01: hoist body

No:	Num ber	Designation	Order- No: B 2/00D 250/1-12 500/2-6	Order- No: B 2/50D 250/1-16 500/2-8	Order- No: B 2/51D 125/1-16/4	Order- No: B 2/52D 125/1-24/6	Order- No: B 2/53D 150/1-24 300/2-12	Order- No: B 3/00G 250/1-8/2 500/2-4/1	Order- No: B 4/00H 500/1-10 1000/2-5	Order- No: B 4.1/00J 1000/1-5 2000/2-2.5	Order- No: B4.2/00M 1000/1-10 2000/2-5
1	1	Cap for gear cover complete consists from:	AA 01 01 2 00D 005/1 1 Cap for gear cover AA01 53 01023 00050 1 Gasket AA01 01 0 00D 038/0 3 Hex.sock.cap screws M6x30 DIN 912 3 Toothed lock washers A6,4 DIN 6797 AA01 01 3 00D 202/1								
2	1	Gear cover complete consists from:	AA 01 01 2 00D 002/0 1 Gear cover AA01 01 0 00D 002/0 8 Hex.sock.cap screws M6x25 DIN 912 8 Spring washers 6,1 DIN 7980 2 Parallel pins 6m6x16 DIN 7 AA01 01 3 00D 203/0 1 Gasket AA01 01 0 00D 039/0							AA 01 01 2 00J 002/0 1 Gear cover AA01 01 0 00J 002/0 8 Hex.sock.cap screws M6x25 DIN 912 8 Spring washers 6,1 DIN 7980 2 Parallel pins 6m6x16 DIN 7 AA01 01 3 00D 203/0 1 Gasket AA01 01 0 00D 039/0	
3	1	Oil filling screw consists from:	AA 01 01 3 00A 200/0 1 Hex. head screw M8x10 DIN 933 1 Toothed lock washer A8,2 DIN 6797 1 Sealing ring A8x12 DIN 7603								
4	2	Bolt complete consists from:	AA 01 01 3 00D 210/0 1 Bolt 12x75x62 DIN 1433 2 Washers 13 DIN 125 2 Splintpins 4x28 DIN 94					AA 01 01 3 00H 210/0 1 Bolt 14x75x62 DIN 1433 2 Washers 15 DIN 125 2 Splintpins 4x28 DIN 94			
5	1	Extension for the hoist body complete consists from:	AA 01 01 2 00I 092/0 1 Extension for the hoistbody AA01 01 0 00I 092/0 8 Hex.sock.cap screws M6x25 8 Spring washer 6,1 DIN 7980 2 Parallel pins 6m6x16 DIN 7 AA01 01 3 00I 205/0 1 Gasket AA01 01 0 00I 040/0								
6	1	Cap for the brake complete consists from:	AA 01 01 2 00D 004/1 1 Cap for the brake AA01 53 01023 00040 1 Gasket AA01 01 0 00D 038/0 3 Hex.sock.cap screws M6x75 DIN 912 3 Toothed lock washers A6,4 DIN 6797 AA01 01 3 00D 213/1								
7	1	Oil draining screw	AA 01 01 3 00A 201/0 1 Hex. head screw M8x10 DIN 933 1 Sealing ring A8x12 DIN 7603								
8	1	Chain collector suspension	AA 01 01 3 00D 207/0 1 Hex. head screw M6x62 DIN 931 1 Hexagon nut M6 DIN 985								
9	1	Hoist body complete consists from: *power supply for stator: 400 V, 3 ph, 50 Hz	AA 01 01 2 00D 001/0 1 Hoistbody AA01 01 0 00D 001/0 1 Stator AA01 55 10710 G4001 1 Roller bearing AA01 96 06004 00000 1 Roller bearing AA01 96 06203 00000 1 Roller bearing AA01 96 16006 00000 1 Cap AA01 01 0 00D 037/0 Stator screw M6x16 AA01 83 00417 06016	AA 01 01 2 50D 001/0 1 Hoistbody AA01 01 0 00D 001/0 1 Stator AA01 55 10710 G2001 1 Roller bearing AA01 96 06004 00000 1 Roller bearing AA01 96 06203 00000 1 Roller bearing AA01 96 16006 00000 1 Cap AA01 01 0 00D 037/0 Stator screw M6x16 AA01 83 00417 06016	AA 01 01 2 51D 001/0 1 Hoistbody AA01 01 0 00D 001/0 1 Stator* AA01 55 10710 G2802 1 Roller bearing AA01 96 06004 00000 1 Roller bearing AA01 96 06203 00000 1 Roller bearing AA01 96 16006 00000 1 Cap AA01 01 0 00D 037/0 Stator screw M6x16 AA01 83 00417 06016	AA 01 01 2 52D 001/0 1 Hoistbody AA01 01 0 00D 001/0 1 Stator* AA01 55 10710 G2802 1 Roller bearing AA01 96 06004 00000 1 Roller bearing AA01 96 06203 00000 1 Roller bearing AA01 96 16006 00000 1 Cap AA01 01 0 00D 037/0 Stator screw M6x16 AA01 83 00417 06016	AA 01 01 2 53D 001/0 1 Hoistbody AA01 01 0 00D 001/0 1 Stator AA01 55 10710 G2001 1 Roller bearing AA01 96 06004 00000 1 Roller bearing AA01 96 06203 00000 1 Roller bearing AA01 96 16006 00000 1 Cap AA01 01 0 00D 037/0 Stator screw M6x16 AA01 83 00417 06016	AA 01 01 2 00G 001/0 1 Hoistbody AA01 01 0 00D 001/0 1 Stator AA01 55 10710 G2802 1 Roller bearing AA01 96 06004 00000 1 Roller bearing AA01 96 06203 00000 1 Roller bearing AA01 96 16006 00000 1 Cap AA01 01 0 00D 037/0 Stator screw M6x16 AA01 83 00417 06016	AA 01 01 2 00H 001/0 1 Hoistbody AA01 01 0 00H 001/0 1 Stator AA01 55 10710 G4001 1 Roller bearing AA01 96 06004 00000 1 Taper roller bearing AA01 96 30203 00000 1 Roller bearing AA01 96 16006 00000 1 Cap AA01 01 0 00D 037/0 Stator screw M6x16 AA01 83 00417 06016	AA 01 01 2 00J 001/0 1 Hoistbody AA01 01 0 00J 001/0 1 Stator AA01 55 10710 G4001 1 Roller bearing AA01 96 61904 00000 2 Roller bearings AA01 96 61900 00000 1 Taper roller bearing AA01 96 30203 00000 1 Roller bearing AA01 96 16006 00000 1 Cap AA01 01 0 00D 037/0 Stator screw M6x16 AA01 83 00417 06016	AA 01 01 2 00M 001/0 1 Hoistbody AA01 01 0 00M 001/0 1 Stator AA01 55 10800 G2001 1 Roller bearing AA01 96 61904 00000 2 Roller bearings AA01 96 61900 00000 1 Taper roller bearing AA01 96 30203 00000 1 Roller bearing AA01 96 16006 00000 1 Cap AA01 01 0 00D 037/0 Stator screw M6x12 AA01 83 00417 06012
10	1	Chain guide complete consists from:	AA 01 01 2 00D 008/1 1 Chain guide AA01 53 01023 00080 1 Hold down AA01 01 0 00D 029/0 4 Hex.sock.cap screws M6x20 DIN 912 4 Toothed lock washers A6,4 DIN 6797 AA01 01 3 00D 204/0						AA 01 01 2 00H 008/0 1 Chain guide AA01 01 0 00H 008/0 1 Hold down AA01 01 0 00H 029/1 4 Hex.sock.cap screws M6x25 DIN 912 4 Spring washers 6,1 DIN 7980 AA01 01 3 00H 204/0		AA 01 01 2 00I 008/0 1 Chain guide AA01 01 0 00I 008/0 1 Hold down AA01 01 0 00I 029/0 4 Hex.sock.cap screws M6x25 4 Spring washers 6,1 DIN7980 AA01 01 3 00H 204/0

Electric chain hoists 400 V, 3 phases ~ version 5 – 7.2

spare part list AA - lifting gear section 01: hoist body

No:	Num ber	Designation	Order- No: B 5/001 5001/102.5 1000/2-5/1.25	Order- No: B 5/501 2501/1-16/4	Order- No: B5.1/00K 1000/1-5/1.25 2000/2-2.5/0.6	Order- No: B 6/00L 1000/1-8 2000/2-4	Order- No: B 6/51L 1000/1-16 2000/2-8	Order- No: B6.1/00P 1600/1-10 3200/2-5	Order- No: B 7/00O 1000/1-6/1.5 2000/2-3/0.75	Order- No: B7.1/00N 1600/1-6/1.5 3200/2-3/0.75	Order- No: B7.2/00T 1000/1-10/2.5 2000/2-5/1.25
1	1	Cap for gear cover complete consists from:	AA 01 01 2 00D 005/1 1 Cap for gear cover AA 01 53 01023 00050 1 Gasket AA 01 01 0 00D 038/0 3 Hex.sock.cap screws M6x30 DIN 912 3 Toothed lock washers A6,4 DIN 6797 AA 01 01 3 00D 202/1			AA 01 01 2 00L 005/1 1 Cap for gear cover AA 01 01 0 00L 005/1 1 Gasket AA 01 01 0 00L 038/0 3 Hex.sock.cap screws M8x70 DIN 912 3 Spring washers 8,1 DIN 7980 AA 01 01 3 00L 202/0					
2	1	Gear cover complete consists from:	AA 01 01 2 00I 002/0 1 Gear cover AA 01 01 0 00I 002/0 8 Hex.sock.cap screws M6x25 DIN 912 8 Spring washers 6,1 DIN 7980 2 Parallel pins 6m6x16 DIN 7 AA 01 01 3 00D 203/0 1 Gasket AA 01 01 0 00D 039/0	AA 01 01 2 00J 002/0 1 Gear cover AA 01 01 0 00J 002/0 8 Hex.sock.cap screws M&25 8 Spring washers 6,1 DIN 7980 2 Parallel pins 6m6x16 DIN 7 AA 01 01 3 00D 203/0 1 Gasket AA 01 01 0 00D 039/0	AA 01 01 2 00L 002/0 1 Gear cover AA 01 01 0 00L 002/0 8 Hex.sock.cap screws M&30 8 Spring washers 8,1 DIN 7980 2 Parallel pins 6m6x16 DIN 7 AA 01 01 3 00L 203/0 1 Gasket AA 01 01 0 00L 039/0	AA 01 01 2 00O 002/0 1 Gear cover AA 01 01 0 00O 002/0 8 Hex.sock.cap screws M8x30 DIN 912 8 Spring washers 8,1 DIN 7980 2 Parallel pins 6m6x16 DIN 7 AA 01 01 3 00O 203/0 1 Gasket AA 01 01 0 00L 039/0					
3	1	Oil filling screw consists from:	AA 01 01 3 00A 200/0 1 Hex. head screw M8x10 DIN 933 1 Toothed lock washer A8,2 DIN 6797 1 Sealing ring A8x12 DIN 7603								
4	2	Bolt complete consists from:	AA 01 01 3 00H 210/0 1 Bolt 14x75x62 DIN 1433 2 Washers 15 DIN 125 2 Splintpins 4x28 DIN 94			AA 01 01 3 00L 210/0 1 Bolt 18x95x79 DIN 1433 2 Washers 19 DIN 125 2 Splintpins 5x40 DIN 94					
5	1	Extension for the hoist body complete consists from:	AA 01 01 2 00I 092/0 1 Extension for the hoist body AA 01 01 0 00I 092/0 8 Hex.sock.cap screws M6x25 DIN 912 8 Spring washer 6,1 DIN 7980 2 Parallel pins 6m6x16 DIN 7 AA 01 01 3 00I 205/0 1 Gasket AA 01 01 0 00I 040/0								
6	1	Cap for the brake complete consists from:	AA 01 01 2 00D 004/1 1 Cap for the brake AA 01 53 01023 00040 1 Gasket AA 01 01 0 00D 038/0 3 Hex.sock.cap screws M6x75 DIN 912 3 Toothed lock washers A6,4 DIN 6797 AA 01 01 3 00D 213/1			AA 01 01 2 00L 004/1 1 Cap for the brake AA 01 01 0 00L 004/1 1 Gasket AA 01 01 0 00L 038/0 3 Hex.sock.cap screws M8x90 DIN 912 3 Spring washers 8,1 DIN 7980 AA 01 01 3 00L 213/0					
7	1	Oil draining screw	AA 01 01 3 00A 201/0 1 Hex. head screw M8x10 DIN 933 1 Sealing ring A8x12 DIN 7603								
8	1	Chain collector suspension	AA 01 01 3 00D 207/0 1 Hex. head screw M6x62 DIN 931 1 Hexagon nut M6 DIN 985			AA 01 01 3 00L 207/0 1 Hex. head screw M8x70 DIN 931 1 Hexagon nut M8 DIN 985					
9	1	Hoist body complete consists from: *power supply for stator: 400 V, 3 ph, 50 Hz	AA 01 01 2 00I 001/0 1 Hoistbody AA 01 01 0 00M 001/0 1 Stator * AA 01 55 10800 G2802 1 Roller bearing AA 01 96 06004 00000 2 Roller bearings AA 01 96 06007 00000 1 Taper roller bearing AA 01 96 30203 00000 1 Roller bearing AA 01 96 16006 00000 1 Cap AA 01 01 0 00D 037/0 1 Stator screw M6x12 AA 01 83 00417 06012	AA 01 01 2 50I 001/0 1 Hoistbody AA 01 01 0 00I 001/0 1 Stator * AA 01 55 10800 G2802 1 Roller bearing AA 01 96 06004 00000 1 Roller bearing AA 01 96 06203 00000 1 Roller bearing AA 01 96 16006 00000 1 Cap AA 01 01 0 00D 037/0 1 Stator screw M6x12 AA 01 83 00417 06012	AA 01 01 2 00K 001/0 1 Hoistbody AA 01 01 0 00M 001/0 1 Stator * AA 01 55 10800 G4001 1 Roller bearing AA 01 96 61904 00000 2 Roller bearings AA 01 96 61900 00000 1 Taper roller bearing AA 01 96 30203 00000 1 Roller bearing AA 01 96 16006 00000 1 Cap AA 01 01 0 00D 037/0 1 Stator screw M6x12 AA 01 83 00417 06012	AA 01 01 2 00L 001/0 1 Hoistbody AA 01 01 0 00L 001/0 1 Stator AA 01 55 10800 G4001 1 Cylindrical roller bearing AA 01 96 RNU00 00204 1 Needle roller bearing AA 01 96 RNA00 04902 1 Cylindrical roller bearing AA 01 96 NI000 00305 1 Roller bearing AA 01 96 06305 00000 1 Cap AA 01 01 0 00L 037/0 1 Stator screw M6x16 AA 01 83 00417 06016	AA 01 01 2 51L 001/0 1 Hoistbody AA 01 01 0 00P 001/0 1 Stator AA 01 55 10900 L2001 1 Cylindrical roller bearing AA 01 96 RNU00 00204 2 Roller bearings AA 01 96 06001 00000 1 Cylindrical roller bearing AA 01 96 NI000 00305 1 Roller bearing AA 01 96 06305 00000 1 Cap AA 01 01 0 00L 037/0 1 Stator screw M6x16 AA 01 83 00417 06016	AA 01 01 2 00P 001/0 1 Hoistbody AA 01 01 0 00P 001/0 1 Stator AA 01 55 10900 L2001 1 Cylindrical roller bearing AA 01 96 RNU00 00204 2 Roller bearings AA 01 96 06001 00000 1 Cylindrical roller bearing AA 01 96 NI000 00305 1 Roller bearing AA 01 96 06305 00000 1 Cap AA 01 01 0 00L 037/0 1 Stator screw M6x16 AA 01 83 00417 06016	AA 01 01 2 00O 001/0 1 Hoistbody AA 01 01 0 00O 001/0 1 Stator * AA 01 55 10900 L2802 1 Cylindrical roller bearing AA 01 96 RNU00 00204 2 Roller bearings AA 01 96 06001 00000 1 Cylindrical roller bearing AA 01 96 NI000 00305 1 Roller bearing AA 01 96 06305 00000 1 Cap AA 01 01 0 00L 037/0 1 Stator screw M6x16 AA 01 83 00417 06016	AA 01 01 2 00N 001/0 1 Hoistbody AA 01 01 0 00P 001/0 1 Stator * AA 01 55 10900 L2802 1 Cylindrical roller bearing AA 01 96 RNU00 00204 2 Roller bearings AA 01 96 06001 00000 1 Cylindrical roller bearing AA 01 96 NI000 00305 1 Roller bearing AA 01 96 06305 00000 1 Cap AA 01 01 0 00L 037/0 1 Stator screw M6x16 AA 01 83 00417 06016	AA 01 01 2 00T 001/0 1 Hoistbody AA 01 01 0 00P 001/0 1 Stator * AA 01 55 10900 L2802 1 Cylindrical roller bearing AA 01 96 RNU00 00204 2 Roller bearings AA 01 96 06001 00000 1 Cylindrical roller bearing AA 01 96 NI000 00305 1 Roller bearing AA 01 96 06305 00000 1 Cap AA 01 01 0 00L 037/0 1 Stator screw M6x16 AA 01 83 00417 06016
10	1	Chain guide complete consists from:	AA 01 01 2 00I 008/0 1 Chain guide AA 01 01 0 00I 008/0 1 Hold down AA 01 01 0 00I 029/0 4 Hex.sock.cap screws M&25 4 Spring washers 6,1 DIN 7980 AA 01 01 3 00H 204/0	AA 01 01 2 50I 008/0 1 Chain guide AA 01 01 0 00I 008/0 1 Hold down AA 01 01 2 50I 029/0 4 Hex.sock.cap screws M&25 4 Spring washers 6,1 DIN 7980 AA 01 01 3 00H 204/0	AA 01 01 2 00I 008/0 1 Chain guide AA 01 01 0 00I 008/0 1 Hold down AA 01 01 0 00I 029/0 4 Hex.sock.cap screws M&25 4 Spring washers 6,1 DIN 7980 AA 01 01 3 00H 204/0	AA 01 01 2 00L 008/0 1 Chain guide AA 01 01 0 00L 008/0 1 Hold down AA 01 01 0 00L 029/1 4 Hex.sock.cap screws M8x22 DIN 912 4 Spring washers 8,1 DIN 7980 AA 01 01 3 00L 204/0					

Electric chain hoists 400 V, 3 phases ~ version 8.1 – 9.1

spare part list AA - lifting gear section 01: hoist body

No:	Num ber	Designation	Order-No: B8.1/00R 2500/1-8 5000/2-4	Order-No: B8.2/50U 2500/1-4 5000/2-2	Order-No: B8.1/52R 3200/1-7 6300/2-3,5	Order-No: B9.1/00S 2500/1-8/2,5 5000/2-4/1,25
1	1	Cap for gear cover complete consists from:	AA 01 01 2 00L 005/1 1 Cap for gear cover AA 01 01 0 00L 005/1 1 Gasket AA 01 01 0 00L 038/0 3 Hex.sock.cap screws M8x70 DIN 912 3 Spring washers 8,1 DIN 7980 AA 01 01 3 00L 202/0			
2	1	Gear cover complete consists from:	AA 01 01 2 00R 002/0 1 Gear cover AA 01 01 0 00R 002/0 8 Hex.sock.cap screws M8x30 DIN 912 8 Spring washers 8,1 DIN 7980 2 Parallel pins 10m6x20 DIN 7 AA 01 01 3 00R 203/0 1 Gasket AA 01 01 0 00R 039/0	AA 01 01 2 52R 002/0 1 Gear cover AA 01 01 0 52R 002/0 8 Hex.sock.cap screws M8x30 8 Spring washers 8,1 DIN7980 2 Parallel pins 10m6x20 DIN 7 AA 01 01 3 00R 203/0 1 Gasket AA 01 01 0 00R 039/0	AA 01 01 2 00S 002/0 1 Gear cover AA 01 01 0 00S 002/0 8 Hex.sock.cap screws M8x30 8 Spring washers 8,1 DIN7980 2 Parallel pins 10m6x20 DIN 7 AA 01 01 3 00R 203/0 1 Gasket AA 01 01 0 00R 039/0	
3	1	Oil filling screw consists from:	AA 01 01 3 00A 200/0 1 Hex. head screw M8x10 DIN 933 1 Toothed lock washer A8.2 DIN 6797 1 Sealing ring A8x12 DIN 7603			
4	2	Bolt complete consists from:	AA 01 01 3 00R 210/0 1 Bolt 22x105x87 DIN 1433 2 Washers 23 DIN 125 2 Splintpins 5x40 DIN 94			
5	1	Extension for the hoist body complete consists from:	-			
6	1	Cap for the brake complete consists from:	AA 01 01 2 00L 004/1 1 Cap for the brake AA 01 01 0 00L 004/1 1 Gasket AA 01 01 0 00L 038/0 3 Hex.sock.cap screws M8x90 DIN 912 3 Spring washers 8,1 DIN 7980 AA 01 01 3 00L 213/0			
7	1	Oil draining screw	AA 01 01 3 00A 201/0 1 Hex. head screw M8x10 DIN 933 1 Sealing ring A8x12 DIN 7603			
8	1	Chain collector suspension	AA 01 01 3 00L 207/0 1 Hex. head screw M8x70 DIN 931 1 Hexagon nut M8 DIN 985			
9	1	Hoist body complete consists from: *power supply for stator: 400 V, 3 ph, 50 Hz	AA 01 01 2 00R 001/0 1 Hoistbody AA 01 01 0 00R 001/0 1 Stator AA 01 55 10900 L2001 1 Cylindrical roller bearing AA 01 96 RNU00 00204 1 Roller bearing AA 01 96 06204 00000 2 Cylindrical roller bearing AA 01 96 NI000 00305 1 Cap AA 01 01 0 00L 037/0 2 Stator screw M6x16 AA 01 83 00417 06016	AA 01 01 2 50U 001/0 1 Hoistbody AA 01 01 0 00R 001/0 1 Stator AA 01 55 10900 L4001 1 Cylindrical roller bearing AA 01 96 RNU00 00204 1 Roller bearing AA 01 96 06204 00000 2 Cylindrical roller bearing AA 01 96 NI000 00305 1 Cap AA 01 01 0 00L 037/0 2 Stator screw M6x16 AA 01 83 00417 06016	AA 01 01 2 52R 001/0 1 Hoistbody AA 01 01 0 52R 001/0 1 Stator AA 01 55 10900 L2001 1 Cylindrical roller bearing AA 01 96 NI000 00204 1 Roller bearing AA 01 96 06204 00000 2 Cylindrical roller bearing AA 01 96 NI000 00206 1 Cap AA 01 01 0 00L 037/0 2 Stator screw M6x16 AA 01 83 00417 06016	AA 01 01 2 00S 001/0 1 Hoistbody AA 01 01 0 00S 001/0 1 Stator AA 01 55 10900 L2001 1 Cylindrical roller bearing AA 01 96 RNU00 00204 1 Roller bearing AA 01 96 06204 00000 2 Cylindrical roller bearing AA 01 96 NI000 00305 1 Cap AA 01 01 0 00L 037/0 2 Stator screw M6x16 AA 01 83 00417 06016
10	1	Chain guide complete consists from:	AA 01 01 2 00R 008/0 1 Chain guide AA 01 01 0 00R 008/0 1 Hold down AA 01 01 0 00R 029/0 4 Hex.sock.cap screws M10X30 DIN 912 4 Spring washers 10,1 DIN 7980 AA 01 01 3 00R 204/0			

Example for order: **AA 01 01 2 00A 008/0** Chain guide and hold down incl. fastening set for version 1

Electric chain hoists 400 V, 3 phases ~ version 9.1

No:	Num ber	Designation	Order-No: B8.1/00R 2500/1-8 5000/2-4
11	1	End cap for sliding clutch complete consists from:	AA 01 01 2 00S 005/1 1 Cap AA 01 02 04300 00070 3 Hex.sock.cap screws M4x12 DIN 912 3 Spring washers 4,1 DIN7980 AA 01 01 3 00S 205/0 1 Gasket AA 01 43 0 00A 008/1
12	1	Bearing plate B – side consists from:	AA 01 01 2 00S 096/1 1 Bearing plate B – side with roller bearing 3 Hex.sock.cap screws M5x25 DIN 912
13	1	Body for slow speed motor with stator consists from:	AA 01 01 3 00S 300/0 1 Body for slow speed motor with stator 3 Hex.sock.cap screws M5x25 DIN 912
14	1	Bearing plate A – side consists from:	AA 01 01 2 00S 006/0 1 Bearing plate A – side with roller bearing 4 Hex. head screws M8x25 DIN 933 4 spring washers 8,1 DIN 7980

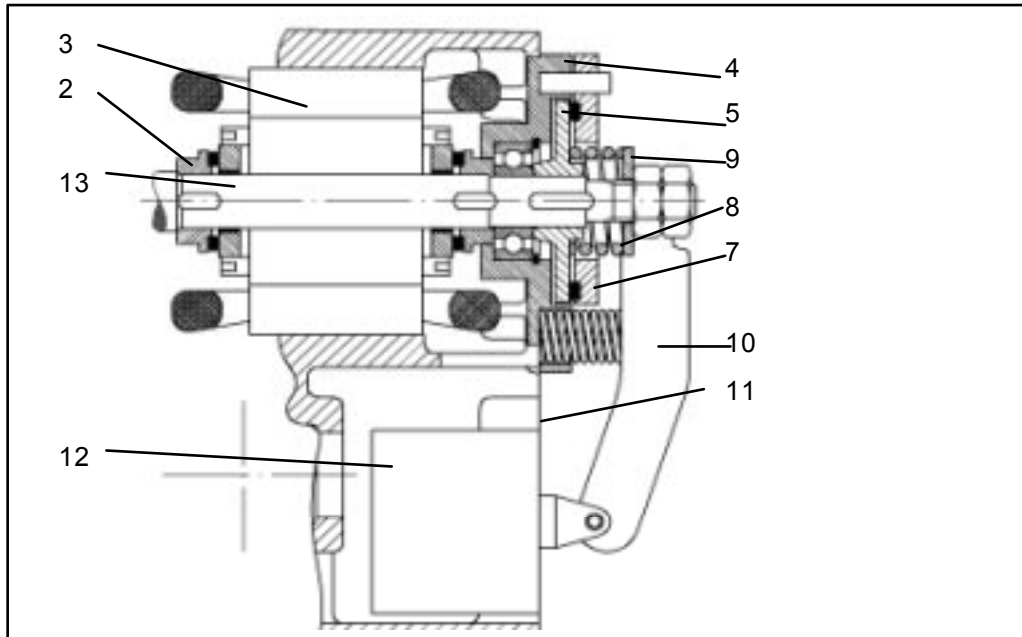
Electric chain hoists 230 V, 1 phase ~ version 1AK – 5.1AK

spare part list AA - lifting gear section 01: hoist body

No:	Num ber	Designation	Order-No: B1AK/01A 60/1-16 120/2-8	Order-No: B1.1AK/01B 150/1-6 300/2-3	Order-No: B1.1AK/02B 80/1-6 160/2-3	Order-No: B2AK/01D 125/1-24 250/2-12	Order-No: B 2AK/02D 150/1-16 300/2-8	Order-No: B 3AK/01G 250/1-8 500/2-4	Order-No: B5AK/52I 250/1-16/5	Order-No: B 5AK/01I 500/1-10 1000/2-5	Order-No: B5.1AK/01K 1000/1-10 2000/2-5
1	1	Cap for gear cover complete consists from:	AA 01 11 2 01A 005/1 1 Cap for gear cover AA01 53 11011 00050 1 Gasket AA01 01 0 00A038/0 3 Hex.sock.cap screws M5x50 DIN 912 3 Toothed lock washers A5,1 DIN 6797 AA01 11 3 00A202/0			AA 01 11 2 00D 005/1 1 Cap for gear cover AA01 53 01023 00040 1 Gasket AA01 01 0 00D 038/0 3 Hex.sock.cap screws M6x75 DIN 912 3 Toothed lock washers A6,4 DIN 6797 AA01 11 3 00D 213/1					
2	1	Gear cover complete consists from:	AA 01 01 2 00A 002/0 1 Gear cover AA01 01 0 00A002/0 4 Hex.sock.cap screws M6x25 1 Hex.sock.cap screw M6x35 1 Hex.sock.cap screw M6x45 5 Spring washers 6,1 DIN 7980 1 Sealing ring A6,5x9,5 DIN 7603 2 Parallel pins 6m6x16 DIN 7 AA01 01 3 00A203/0 1 Gasket AA01 01 0 00B039/0	AA 01 01 2 00B 002/0 1 Gear cover AA01 01 0 00B002/0 4 Hex.sock.cap screws M6x25 DIN 912 1 Hex.sock.cap screw M6x35 DIN 912 1 Hex.sock.cap screw M6x55 DIN 912 5 Spring washers 6,1 DIN 7980 1 Sealing ring A6,5x9,5 DIN 7603 2 Parallel pins 6m6x16 DIN 7 AA01 01 3 00B203/0 1 Gasket AA01 01 0 00B039/0	AA 01 01 2 00D 002/0 1 Gear cover AA01 01 0 00D 002/0 8 Hex.sock.cap screws M6x25 DIN 912 8 Spring washers 6,1 DIN 7980 2 Parallel pins 6m6x16 DIN 7 AA01 01 3 00D 203/0 1 Gasket AA01 01 0 00D 039/0	AA 01 01 2 00I 002/0 1 Gear cover AA01 01 0 00I002/1 8 Hex.sock.cap screws M6x25 DIN 912 8 Spring washers 6,1 DIN 7980 2 Parallel pins 6m6x16 DIN 7 AA01 01 3 00D 203/0 1 Gasket AA01 01 0 00D 039/0	AA 01 01 2 00J 002/0 1 Gear cover AA01 01 0 00J 002/0 8 Hex.sock.cap screws M6x25 8 Spring washers 6,1 DIN 7980 2 Parallel pins 6m6x16 DIN 7 AA01 01 3 00D 203/0 1 Gasket AA01 01 0 00D 039/0				
3	1	Oil filling screw consists from:	AA 01 01 3 00A 200/0 1 Hex.head screw M8x10 DIN 933 1 Toothed lock washer A8,2 DIN 6797 1 Sealing ring A8x12 DIN 7603								
4	2	Bolt complete consists from:	AA 01 01 3 00A 210/0 1 Bolt 12x70x58 DIN 1433 2 Washers 13 DIN 125 2 Splintpins 4x28 DIN 94	AA 01 01 3 00D 210/0 1 Bolt 12x75x62 DIN 1433 2 Washers 13 DIN 125 2 Splintpins 4x28 DIN 94				AA 01 01 3 00H 210/0 1 Bolt 14x75x62 DIN 1433 2 Washers 15 DIN 125 2 Splintpins 4x28 DIN 94			
5	1	Extension for the hoist body complete consists from:	AA 01 01 2 00I 092/0 1 Extension for the hoistbody AA01 01 0 00I092/0 8 Hex.sock.cap screws M6x25 8 Spring washer 6,1 DIN 7980 2 Parallel pins 6m6x16 DIN 7 AA01 01 3 00I205/0 1 Gasket AA01 01 0 00I040/0						AA 01 01 2 00I 092/0 1 Extension for the hoistbody AA01 01 0 00I092/0 8 Hex.sock.cap screws M6x25 8 Spring washer 6,1 DIN 7980 2 Parallel pins 6m6x16 DIN 7 AA01 01 3 00I205/0 1 Gasket AA01 01 0 00I040/0		
6	1	Cap for the brake complete consists from:	AA 01 01 2 00A 004/1 1 Cap for the brake AA01 53 01011 00040 1 Gasket AA01 01 0 00A038/0 3 Hex.sock.cap screws M5x50 DIN 912 3 Toothed lock washers A5,1 DIN 6797 AA01 01 3 00A202/0	AA 01 01 2 00D 004/1 1 Cap for the brake AA01 53 01023 00040 1 Gasket AA01 01 0 00D 038/0 3 Hex.sock.cap screws M6x75 DIN 912 3 Toothed lock washers A6,4 DIN 6797 AA01 01 3 00D 213/1							
7	1	Oil draining screw	AA 01 01 3 00A 201/0 1 Hex.head screw M8x10 DIN 933 1 Sealing ring A8x12 DIN 7603								
8	1	Chain collector suspension	AA 01 01 3 00A 207/0 1 Hex.head screw M5x46 DIN 931 1 Hexagon nut M5 DIN 985	AA 01 01 3 00D 207/0 1 Hex.head screw M6x62 DIN 931 1 Hexagon nut M6 DIN 985							
9	1		AA 01 01 2 01A 001/0 1 Hoistbody AA01 01 0 00A001/0 1 Stator AA01 55 30560 G2010 1 Roller bearing AA01 96 06003 00000 1 Busch bearing AA01 14 20012 18010 1 Roller bearing AA01 96 06003 00000 1 Cap AA01 01 0 00A037/0 1 Stator screw M6x12 AA01 83 00417 06012	AA 01 01 2 01B 001/0 1 Hoistbody AA01 01 0 00B001/0 1 Stator AA01 55 30560 G2010 1 Roller bearing AA01 96 06003 00000 1 Busch bearing AA01 14 20012 18010 1 Roller bearing AA01 96 06001 00000 1 Roller bearing AA01 96 06003 00000 1 Cap AA01 01 0 00A037/0 1 Stator screw M6x12 AA01 83 00417 06012	AA 01 01 2 01D 001/0 1 Hoistbody AA01 01 0 00D 001/0 1 Stator AA01 55 30710 G2010 1 Roller bearing AA01 96 06004 00000 1 Roller bearing AA01 96 06203 00000 1 Roller bearing AA01 96 16006 00000 1 Cap AA01 01 0 00D 037/0 1 Stator screw M6x16 AA01 83 00417 06016	AA 01 01 2 01G 001/0 1 Hoistbody AA01 01 0 00D 001/0 1 Stator AA01 55 30710 G2010 1 Roller bearing AA01 96 06004 00000 1 Roller bearing AA01 96 06007 00000 1 Roller bearing AA01 96 06203 00000 1 Cap AA01 01 0 00D 037/0 1 Stator screw M6x16 AA01 83 00417 06016	AA 01 01 2 52I 001/0 1 Hoistbody AA01 01 0 00I001/0 1 Stator AA01 55 40801 G260 1 Roller bearing AA01 96 06004 00000 1 Roller bearing AA01 96 06007 00000 1 Roller bearing AA01 96 30203 00000 1 Cap AA01 01 0 00D 037/0 1 Stator screw M6x12 AA01 83 00417 06012	AA 01 01 2 01I 001/0 1 Hoistbody AA01 01 0 00I001/0 1 Stator AA01 55 30800 G2010 1 Roller bearing AA01 96 06004 00000 2 Roller bearing AA01 96 06007 00000 1 Taper roller bearing AA01 96 30203 00000 1 Roller bearing AA01 96 16006 00000 1 Cap AA01 01 0 00D 037/0 1 Stator screw M6x12 AA01 83 00417 06012	AA 01 01 2 01K 001/0 1 Hoistbody AA01 01 0 00M001/0 1 Stator AA01 55 30800 G2010 1 Roller bearing AA01 96 61904 00000 2 Roller bearing AA01 96 61900 00000 1 Taper roller bearing AA01 96 30203 00000 1 Roller bearing AA01 96 16006 00000 1 Cap AA01 01 0 00D 037/0 1 Stator screw M6x12 AA01 83 00417 06012		
10	1	Chain guide complete consists from:	AA 01 01 2 00A 008/0 1 Chain guide AA01 53 01011 00080 1 Hold down AA01 53 01011 00290 4 Hex.sock.cap screws M5x16 DIN 7984 4 Toothed lock washers A5,1 DIN 6797 AA01 01 3 00A204/0	AA 01 01 2 00D 008/1 1 Chain guide AA01 53 01023 00080 1 Hold down AA01 01 0 00D 029/0 4 Hex.sock.cap screws M6x20 DIN 912 4 Toothed lock washers A6,4 DIN 6797 AA01 01 3 00D 204/0				AA 01 01 2 50I 008/1 1 Chain guide AA01 53 01023 00080 1 Hold down AA01 01 2 50I029/0 4 Hex.sock.cap screws M6x20 4 Toothed lock washers A6,4 AA01 01 3 00D 204/0	AA 01 01 2 00I 008/0 1 Chain guide AA01 01 0 00I008/0 1 Hold down AA01 01 0 00I029/0 4 Hex.sock.cap screws M6x25 4 Spring washers 6,1 DIN 7980 AA01 01 3 00H 204/0		

Example for order: AA 01 01 2 00A 008/0 Chain guide and hold down incl. fastening set for version 1AK/01A

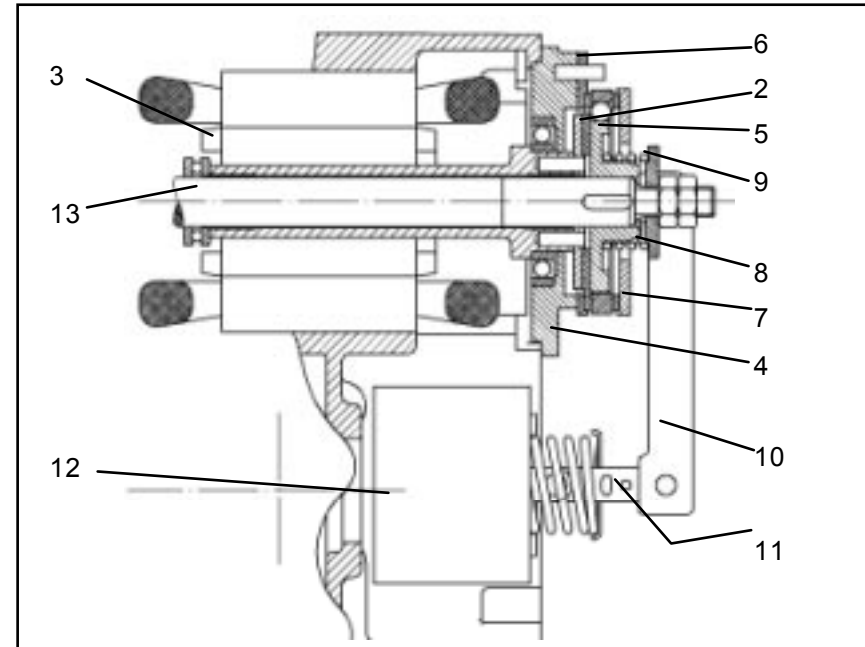
Spare part list AA – lifting gear section 02: clutch – brake
AC – brake / brake with lever -



Versions 1, 1.1, 1AK, 1.1AK, 1.1AK1

- No. 1 **Brake – clutch section complete**
- No. 2 **Clutch disc** consists from: 2 clutch discs, 2 clutch linings, 2 feather keys
- No. 3 **Rotor complete*** consists from: Rotor body, 2 bushes, 2 slide bearings
- No. 4 **Motor cover complete** consists from: motor cover, fastening set, parallel pin, roller bearing, fixing bolt, bush with collar
- No. 5 **Brake hub / Brake disc complete** consists from: brake hub, feather key, brake lining
- No. 7 **Brake disc II complete** consists from: brake disc, pressure plates
- No. 8 **Clutch spring**
- No. 9 **Spring plate complete** consists from: spring plate, hexagon nuts
- No. 10 **Brake lever complete** consists from: brake lever, slotted set screw with full dog, hexagon nuts, press spring
- No. 11 **Holding device complete** consists from: holding device, fastening set
- No. 12 **Magnetic coil ***
- No. 13 **Motor pinion shaft** (if pinion shaft only is needed please go to spare part list AA lifting gear section 04 part No.1)

spare part supply from old stock only;
if sold off the hoist must be converted to DC - brake



Versions from 2 to 7 incl. 2AK, 2AK1, 3AK, 5AK

- No. 1 **Brake – clutch section complete**
- No. 2 **Clutch disc** consists from: clutch disc, clutch lining
- No. 3 **Rotor complete*** consists from: rotor body, hollow shaft, 2 slide bearings, parallel pins, axial bearing, roller bearing, shim rings
- No. 4 **Motor cover complete** consists from: motor cover, parallel pins, fastening set, roller bearing, fixing bolt, bush with collar
- No. 5 **Brake hub / brake disc complete** consists from: brake hub, feather key, brake disc, 3 balls, clutch lining, brake linings
- No. 6 **Brake disc I**
- No. 7 **Brake disc II complete** consists from: brake disc II, pressure plates
- No. 8 **Clutch spring**
- No. 9 **Spring plate complete** consists from: spring plate, 2 hexagon nuts
- No. 10 **Brake lever complete** consists from: brake lever, slotted set screw with full dog, hexagon nuts, slotted set screw with full dog with hexagon nuts, connecting piece, spring plate II, press spring
- No. 11 **Holding device complete** consists from: holding device, fastening set
- No. 12 **Magnetic coil ***
- No. 13 **Motor pinion shaft** (if pinion shaft only is needed please go to spare part list AA lifting gear section 04 part No.1)

*For orders that include rotor unit or magnetic coil please provide power supply data such as voltage, frequency etc.

Electric chain hoists 400 Volts, 3 phases ~ version 1 – 7

spare part list AA – lifting hoist section 02: Clutch - brake
AC - brake/ brake with lever spare part supply from old stock
only; if sold off the hoist must be converted to DC - brake

No.:	Num ber	Designation	Order- No.: B 1 125/1-8 250/2-4	Order- No.: B 1.1 250/1-6 500/2-3	Order- No.: B 2 250/1-12 500/2-6	Order- No.: B 4 500/1-10 1000/2-5	Order- No.: B 3 250/1-8/2 500/2-4/1	Order- No.: B 5 500/1-10/2,5 1000/2-5/1,25	Order- No.: B 6 1000/1-8 2000/2-4	Order- No.: B 7 1000/1-6/1,5 2000/2-3/0,75
1	1	Brake – clutch section complete	AA 02 01 2 00A 400 Pos. 2-5, Pos. 7-13	AA 02 01 2 00B 400 Pos. 2-5, Pos. 7-13	AA 02 01 2 00D 400 Pos. 2-13	AA 02 01 2 00H 400 Pos. 2-13	AA 02 01 2 00G 400 Pos. 2-13	AA 02 01 2 00I 400 Pos. 2-13	AA 02 01 2 00L 400 Pos. 2-13	AA 02 01 2 00O 400 Pos. 2-13
2	1	Clutch disc consists from:	AA 02 01 2 00A 014/0 2 Clutch discs AA 02 01 0 00A 014/0 2 Clutch linings AA 02 01 0 00A 023/0 2 Feather keys B5x5x7 AA 02 23 B0505 00070		<i>Produce till 1993</i> Clutch disc with 4 holes for pins <i>Produce from 1993</i> Clutch disc with 2 holes for pins	AA 02 01 2 00D 014 1 Clutch disc AA 02 01 0 00D 014 1 Clutch lining AA 02 01 0 00D 023/0 AA 02 01 2 00D 014/0 1 Clutch disc AA 02 01 0 00D 014/0 1 Clutch lining AA 02 01 0 00D 023/0			AA 02 01 2 00L 014 1 Clutch disc AA 02 01 0 00L 014 1 Clutch lining AA 02 01 0 00L 023/0 AA 02 01 2 00L 014/0 1 Clutch disc AA 02 01 0 00L 014/0 1 Clutch lining AA 02 01 0 00L 023/0	
3	1	Rotor complete* consists from:	AA 02 01 2 00A 042/1 1 Rotor body 2 Bushes 2 Slide bearings	AA 02 01 2 00B 042/1 1 Rotor body 2 Bushes 2 Slide bearings	<i>Produce till 1993</i> Bush with 4 holes for pins <i>Produce from 1993</i> Bush with 2 holes for pins	AA 02 01 2 00D 042 1 Rotor body 1 Bush 2 Slide bearings 4 Parallel pins AA 02 83 00007 06016 1 Axial roller bearing AA 02 96 51104 00000 1 Roller bearing AA 02 96 16008 00000 3 Shim rings 20x1,0x28 AA 02 70 00988 20010 AA 02 01 2 00D 042/0 1 Rotor body 1 Bush 2 Slide bearings 2 Parallel pins AA 02 83 00007 06016 1 Axial roller bearing AA 02 96 51104 00000 1 Roller bearing AA 02 96 16008 00000 3 Shim rings 20x1,0x28 AA 02 70 00988 20010	AA 02 01 2 00G 042 1 Rotor body 1 Bush 2 Slide bearings 4 Parallel pins AA 02 83 00007 06016 1 Axial roller bearing AA 02 96 51104 00000 1 Roller bearing AA 02 96 16008 00000 3 Shim rings 20x1,0x28 AA 02 70 00988 20010 AA 02 01 2 00G 042/0 1 Rotor body 1 Bush 2 Slide bearings 2 Parallel pins AA 02 83 00007 06016 1 Axial roller bearing AA 02 96 51104 00000 1 Roller bearing AA 02 96 16008 00000 3 Shim rings 20x1,0x28 AA 02 70 00988 20010	AA 02 01 2 00I 042 1 Rotor body 1 Bush 2 Slide bearings 4 Parallel pins AA 02 83 00007 06016 1 Axial roller bearing AA 02 96 51104 00000 1 Roller bearing AA 02 96 16008 00000 3 Shim rings 20x1,0x28 AA 02 70 00988 20010 AA 02 01 2 00I 042/0 1 Rotor body 1 Bush 2 Slide bearings 2 Parallel pins AA 02 83 00007 06016 1 Axial roller bearing AA 02 96 51104 00000 1 Roller bearing AA 02 96 16008 00000 3 Shim rings 20x1,0x28 AA 02 70 00988 20010	AA 02 01 2 00L 042 1 Rotor body 1 Bush 2 Slide bearings 4 Parallel pins AA 02 83 00007 08020 1 Axial roller bearing AA 02 96 51105 00000 1 Roller bearing AA 02 96 16011 00000 3 Shim rings 25x1x35 AA 02 70 00988 25010 AA 02 01 2 00L 042/0 1 Rotor body 1 Bush 2 Slide bearings 2 Parallel pins AA 02 83 00007 08020 1 Axial roller bearing AA 02 96 51105 00000 1 Roller bearing AA 02 96 16011 00000 3 Shim rings 25x1x35 AA 02 70 00988 25010	AA 02 01 2 00O 042 1 Rotor body 1 Bush 2 Slide bearings 4 Parallel pins AA 02 83 00007 08020 1 Axial roller bearing AA 02 96 51105 00000 1 Roller bearing AA 02 96 16011 00000 3 Shim rings 25x1x35 AA 02 70 00988 25010 AA 02 01 2 00O 042/0 1 Rotor body 1 Bush 2 Slide bearings 2 Parallel pins AA 02 83 00007 08020 1 Axial roller bearing AA 02 96 51105 00000 1 Roller bearing AA 02 96 16011 00000 3 Shim rings 25x1x35 AA 02 70 00988 25010
4	1	Motor cover complete consists from:	AA 02 01 2 00A 003/0 1 Motor cover AA 02 01 0 00A 003/2 2 Parallel pins 6m6x20 AA 02 83 00007 06020 4 Hex.sock.cap screws M5x14 DIN 912 4 Spring washers 5,1 DIN 7980 1 Parallel pin 6m6x16 DIN 7 AA 02 01 3 00A 212/0 1 Roller bearing AA 02 96 06202 00000 2 Fixing bolt AA 02 01 0 00A 020/0 2 Bush with collar AA 02 14 20008 12012			AA 02 01 2 00D 003/0 1 Motor cover AA 02 01 0 00D 003/2 2 Parallel pins 6m6x32 AA 02 83 00007 06032 4 Hex.sock.cap screws M5x14 DIN 912 4 Spring washers 5,1 DIN 7980 1 Parallel pin 6m6x16 DIN 7 AA 02 01 3 00A 212/0 1 Roller bearing AA 02 96 16008 00000 2 Fixing bolt AA 02 01 0 00D 020/0 2 Bush with collar AA 02 14 20008 12012			AA 02 01 2 00L 003/0 1 Motor cover AA 02 01 0 00L 003/4 2 Parallel pins 8m6x32 AA 02 83 00007 08032 4 Hex.sock.cap screws M6x14 DIN 912 4 Spring washers 6,1 DIN 7980 1 Parallel pin 8m6x20 DIN 7 AA 02 01 3 00L 212/0 1 Roller bearing AA 02 96 16011 00000 2 Fixing bolt AA 02 01 0 00L 020/0 2 Bush with collar AA 02 14 20008 16014	
5	1	Brake hub / Brake disc complete consists from:	AA 02 01 2 00A 017/0 1 Brake disc AA 02 01 0 00A 017/2 1 Feather key AB 5x5x15,5 AA 02 23 AB050 50155 1 Brake lining AA 02 01 0 00A 022/0			AA 02 01 2 00D 017/0 1 Brake hub AA 02 01 0 00D 017/1 1 Feather key AB 6x6x17 AA 02 23 AB060 60165 1 Brake disc AA 02 01 0 00D 015/1 3 Balls AA 02 50 05401 00800 1 Clutch lining AA 02 01 0 00D 023/0 2 Brake linings AA 02 01 0 00D 022/0			AA 02 01 2 00L 017/0 1 Brake hub AA 02 01 0 00L 017/1 1 Feather key AB 8x7x21 AA 02 23 AB080 70210 1 Brake disc AA 02 01 0 00L 015/1 3 Balls AA 02 50 05401 01000 1 Clutch lining AA 02 01 0 00L 023/0 2 Brake linings AA 02 01 0 00L 022/0	
6	1	Brake disc I	-			AA 02 01 0 00D 009/0			AA 02 01 0 00L 009/0	
7	1	Brake disc II consists from:	AA 02 01 2 00A 016/0 1 Brake disc 2 Pressure plates			AA 02 01 2 00D 016/0 1 Brake disc II 2 Pressure plates			AA 02 01 2 00L 016/0 1 Brake disc II 2 Pressure plates	
8	1	Clutch spring	AA 02 23 00306 03200		AA 02 23 00603 04500	AA 02 23 00603 04536	AA 02 23 00405 04300	AA 02 23 00603 04500	AA 02 23 00705 05550	AA 02 23 00700 05500

Electric chain hoists 400 Volts, 3 phases ~ version 1 – 7

spare part list AA – lifting hoist section 02: Clutch - brake
AC - brake/ brake with lever spare part supply from old stock
only; if sold off the hoist must be converted to DC - brake

No.:	Num ber	Designation	Order- No.: B 1 125/1-8 250/2-4	Order- No.: B 1.1 250/1-6 500/2-3	Order- No.: B 2 250/1-12 500/2-6	Order- No.: B 4 500/1-10 1000/2-5	Order- No.: B 3 250/1-8/2 500/2-4/1	Order- No.: B 5 500/1-10/2.5 1000/2-5/1,25	Order- No.: B 6 1000/1-8 2000/2-4	Order- No.: B 7 1000/1-6/1,5 2000/2-3/0,75
9	1	Spring plate complete consists from:	AA 02 01 2 00A 018/2 1 Spring plate with welded hexagon nut 1 Hexagon nut M12x1,5 DIN 936		AA 02 01 2 00D 018/2 1 Spring plate with welded hexagon nut 1 Hexagon nut M12x1,5 DIN 936			AA 02 01 2 00L 018/2 1 Spring plate with welded hexagon nut 1 Hexagon nut M12x1,5 DIN 936		
10	1	Brake lever complete consists from:	AA 02 01 2 00A 006/0 1 Brake lever <i>AA 02 01 0 00A 006/0</i> 2 Slotted setscrews M6x30 DIN 417 2 Hexagon nuts M6 DIN 934 1 Press spring <i>AA 02 23 00090 01500</i>		AA 02 01 2 00D 006/0 1 Brake lever <i>AA 02 01 0 00D 006/0</i> 2 Slotted setscrews with full dog M5x15 DIN 417 2 Hexagon nuts M5 DIN 934 2 Slotted setscrews M6x30 DIN 417 2 Hexagon nuts M6 DIN 934 1 Connecting piece <i>AA 02 01 0 00D 021/0</i> Spring plate II AA 02 01 0 00D 034/0 Press spring <i>AA 02 23 00200 03400</i>			AA 02 01 2 00L 006/0 1 Brake lever <i>AA 02 01 0 00L 006/0</i> 2 Slotted setscrew with full dog M6x16 DIN 417 2 Hexagon nuts M6 DIN 934 2 Slotted setscrews M8x40 DIN 417 2 Hexagon nuts M8 DIN 934 1 Connecting piece <i>AA 02 01 0 00L 021/0</i> Spring plate II <i>AA 02 01 0 00L 034/0</i> Press spring <i>AA 02 23 00202 03800</i>		
11	1	Holding dev ice complete consists from:	AA 02 01 2 00A 032/0 1 Holding device 8 Hex.sock.cap screws M4x12 DIN 912 8 Spring washers 4,1 DIN 7980 4 Hexagon nuts M4 DIN 934		AA 02 01 2 00D 032/0 1 Holding device 8 Hex.sock.cap screws M4x12 DIN 912 8 Spring washers 4,1 DIN 7980 4 Hexagon nuts M4 DIN 934			AA 02 01 2 00L 032/0 1 Holding device 8 Hex.sock.cap screws M4x12 DIN 912 8 Spring washers 4,1 DIN 7980 4 Hexagon nuts M4 DIN 934		
12	1	Magnetic coil	AA 02 20 0W200 22000		AA 02 20 0W300 22000		AA 02 20 0W300 38000	AA 02 20 0W300 38000	AA 02 20 0W400 22000	AA 02 20 0W400 38000
13	1	Motor pinion shaft	AA 02 01 0 00A 024/0	AA 02 01 0 00B 024/0	AA 02 01 0 00D 024/1			AA 02 01 0 00I 024/1	AA 02 01 0 00L 024/0	AA 02 01 0 00O 024/1

Electric chain hoists 230 Volts, 1 phase ~ version 1AK – 5AK

spare part list AA – lifting hoist section 02: Clutch - brake
 AC - brake/ brake with lever spare part supply from old stock
 only; if sold off the hoist must be converted to DC - brake

No.:	Num ber	Designation	Order- No.: B1AK 60/1-16	Order- No.: B1.1AK, 150/1-6 300/2-3 B1.1AK1 80/1-6	Order- No.: B2AK, B 2AK 125/1-24 150/1-20	Order- No.: B 3AK 250/1-8 500/2-4	Order- No.: B 5AK 500/1-10 1000/2-5
1	1	Brake – clutch section complete	AA 02 01 2 01A 400 Pos. 2-5, Pos. 7-13	AA 02 01 2 01B 400 Pos. 2-5, Pos. 7-13	AA 02 01 2 01D 400 Pos. 2-13	AA 02 01 2 01G 400 Pos. 2-13	AA 02 01 2 01I 400 Pos. 2-13
2	1	Clutch disc consists from:	AA 02 01 2 00A 014/0 2 Clutch discs AA 02 01 0 00A 014/0 2 Clutch linings AA 02 01 0 00A 023/0 2 Feather keys B5x5x7 AA 02 23 B0505 00070	<i>Produce till 1993</i> Clutch disc with 4 holes for pins AA 02 01 2 00D 014 1 Clutch disc AA 02 01 0 00D 014 1 Clutch lining AA 02 01 0 00D 023/0 AA 02 01 2 00D 014/0 <i>Produce from</i> 1993 Clutch disc with 2 holes for pins AA 02 01 2 01D 014/0 1 Clutch disc AA 02 01 0 00D 014/0 1 Clutch lining AA 02 01 0 00D 023/0	<i>Produce till 1993</i> Clutch disc with 4 holes for pins AA 02 01 2 00D 014 1 Clutch disc AA 02 01 0 00D 014 1 Clutch lining AA 02 01 0 00D 023/0 AA 02 01 2 00D 014/0 <i>Produce from</i> 1993 Clutch disc with 2 holes for pins AA 02 01 2 01D 014/0 1 Clutch disc AA 02 01 0 00D 014/0 1 Clutch lining AA 02 01 0 00D 023/0		
3	1	Rotor complete* consists from:	AA 02 01 2 01A 042/1 1 Rotor body 2 Bushes 2 Slide bearings	<i>Produce till 1993</i> Bush with 4 holes for pins AA 02 01 2 01D 042 1 Rotor body 1 Bush 2 Slide bearings 4 Parallel pins AA 02 83 00007 06016 1 Axial roller bearing AA 02 96 51104 00000 1 Roller bearing AA 02 96 16008 00000 3 Shim rings 20x1.0x28 AA 02 70 00988 20010 <i>Produce from</i> 1993 Bush with 2 holes for pins AA 02 01 2 01D 042/0 1 Rotor body 1 Bush 2 Slide bearings 2 Parallel pins AA 02 83 00007 06016 1 Axial roller bearing AA 02 96 51104 00000 1 Roller bearing AA 02 96 16008 00000 3 Shim rings 20x1.0x28 AA 02 70 00988 20010	<i>Produce till 1993</i> Bush with 4 holes for pins AA 02 01 2 01D 042 1 Rotor body 1 Bush 2 Slide bearings 4 Parallel pins AA 02 83 00007 06016 1 Axial roller bearing AA 02 96 51104 00000 1 Roller bearing AA 02 96 16008 00000 3 Shim rings 20x1.0x28 AA 02 70 00988 20010 <i>Produce from</i> 1993 Bush with 2 holes for pins AA 02 01 2 01D 042/0 1 Rotor body 1 Bush 2 Slide bearings 2 Parallel pins AA 02 83 00007 06016 1 Axial roller bearing AA 02 96 51104 00000 1 Roller bearing AA 02 96 16008 00000 3 Shim rings 20x1.0x28 AA 02 70 00988 20010	AA 02 01 2 01I 042 1 Rotor body 1 Bush 2 Slide bearings 4 Parallel pins AA 02 83 00007 06016 1 Axial roller bearing AA 02 96 51104 00000 1 Roller bearing AA 02 96 16008 00000 3 Shim rings 20x1.0x28 AA 02 70 00988 20010 AA 02 01 2 01I 042/0 1 Rotor body 1 Bush 2 Slide bearings 2 Parallel pins AA 02 83 00007 06016 1 Axial roller bearing AA 02 96 51104 00000 1 Roller bearing AA 02 96 16008 00000 3 Shim rings 20x1.0x28 AA 02 70 00988 20010	
4	1	Motor cover complete consists from:	AA 02 01 2 00A 003/0 1 Motor cover AA 02 01 0 00A 003/2 2 Parallel pins 6m6x20 AA 02 83 00007 06020 4 Hex.sock.cap screws M5x14 DIN 912 4 Spring washers 5,1 DIN 7980 1 Parallel pin 6m6x16 DIN 7 AA 02 01 3 00A 212/0 1 Roller bearing AA 02 96 06202 00000 2 Fixing bolt AA 02 01 0 00A 020/0 2 Bush with collar AA 02 14 20008 12012	AA 02 01 2 00D 003/0 1 Motor cover AA 02 01 0 00D 003/2 2 Parallel pins 6m6x32 AA 02 83 00007 06032 4 Hex.sock.cap screws M5x14 DIN 912 4 Spring washers 5,1 DIN 7980 1 Parallel pin 6m6x16 DIN 7 AA 02 01 3 00A 212/0 1 Roller bearing AA 02 96 16008 00000 2 Fixing bolt AA 02 01 0 00D 020/0 2 Bush with collar AA 02 14 20008 12012			
5	1	Brake hub / Brake disc complete consists from:	AA 02 01 2 00A 017/0 1 Brake hub AA 02 01 0 00A 017/0 1 Feather key AB 5x5x15.5 AA 02 23 AB050 50155 1 Brake lining AA 02 01 0 00A 022/0	AA 02 01 2 00D 017/1 1 Brake hub AA 02 01 0 00D 017/1 1 Feather key AB 6x6x17 AA 02 23 AB060 60165 1 Brake disc AA 02 01 0 00D 015/2 3 Balls AA 02 50 05401 00800 1 Clutch lining AA 02 01 0 00D 023/0 2 Brake linings AA 02 01 0 00D 022/0			
6	1	Brake disc I	-			AA 02 01 0 00D 009/0	
7	1	Brake disc II consists from:	AA 02 01 2 00A 016/0 1 Brake disc II 2 Pressure plates			AA 02 01 2 00D 016/0 1 Brake disc II 2 Pressure plates	
8	1	Clutch spring	AA 02 23 00306 03200		AA 02 23 00603 04500	AA 02 23 00405 04300	AA 02 23 00603 04500
9	1	Spring plate complete consists from:	AA 02 01 2 00A 018/2 1 Spring plate with welded hexagon nut 1 Hexagon nut M12x1,5 DIN 936			AA 02 01 2 00D 018/2 1 Spring plate with welded hexagon nut 1 Hexagon nut M12x1,5 DIN 936	

Electric chain hoists 230 Volts, 1 phase ~ version 1AK – 5AK

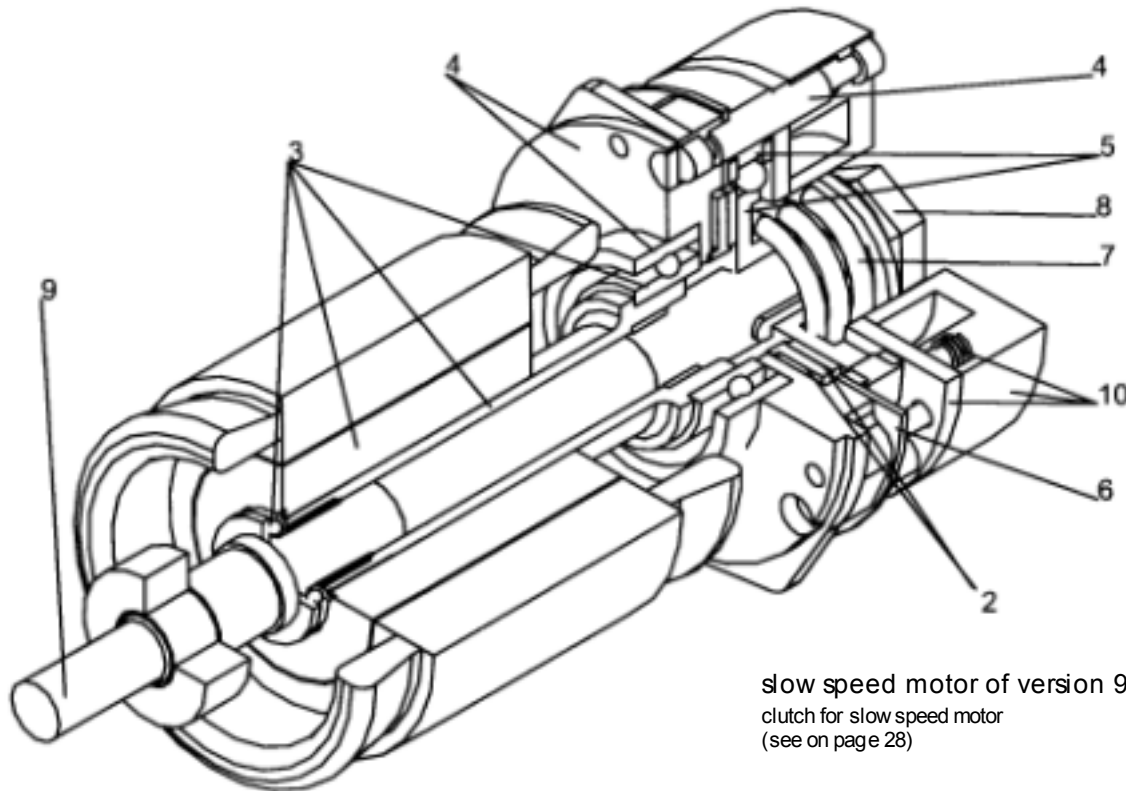
spare part list AA – lifting hoist section 02: Clutch - brake
 AC - brake/ brake with lever spare part supply from old stock
 only; if sold off the hoist must be converted to DC - brake

No.:	Number	Designation	Order- No.: B1AK 60/1-16	Order- No.: B1.1AK, 150/1-6 300/2-3	B1.1AK1 80/1-6	Order- No.: B2AK, B 2AK1 125/1-24	150/1-20	Order- No.: B 3AK 250/1-8 500/2-4	Order- No.: B 5AK 500/1-10 1000/2-5
10	1	Brake lever complete consists from:		AA 02 01 2 00A 006/0 1 Brake lever AA 02 01 0 00A 006/0 2 Slotted setscrews M6x30 DIN 417 2 Hexagon nuts M6 DIN 934 Press spring AA 02 23 00090 01500			AA 02 01 2 00D 006/0 1 Brake lever AA 02 01 0 00D 006/0 2 Slotted setscrew with full dog M5x15 DIN 417 2 Hexagon nuts M5 DIN 934 2 Slotted setscrews M6x30 DIN 417 2 Hexagon nuts M6 DIN 934 Connecting piece AA 02 01 0 00D 021/0 Spring plate II AA 02 01 0 00D 034/0 Press spring AA 02 23 00200 03400		
11	1	Holding device complete consists from:		AA 02 01 2 00A 032/0 1 Holding device 8 Hex.sock.cap screws M4x12 DIN 912 8 Spring washers 4,1 DIN 7980 4 Hexagon nuts M4 DIN 934			AA 02 01 2 00D 032/0 1 Holding device 8 Hex.sock.cap screws M4x12 DIN 912 8 Spring washers 4,1 DIN 7980 4 Hexagon nuts M4 DIN 934		
12	1	Magnetic coil		AA 02 20 0W200 22000			AA 02 20 0W300 22000		
13	1	Motor pinion shaft	AA 02 01 0 00A 024/0	AA 02 01 0 00B 024/0		AA 02 01 0 00D 024/1			AA 02 01 0 00I 024/1

Example for order: AA 02 01 2 01A 000/0 brake – clutch section complete

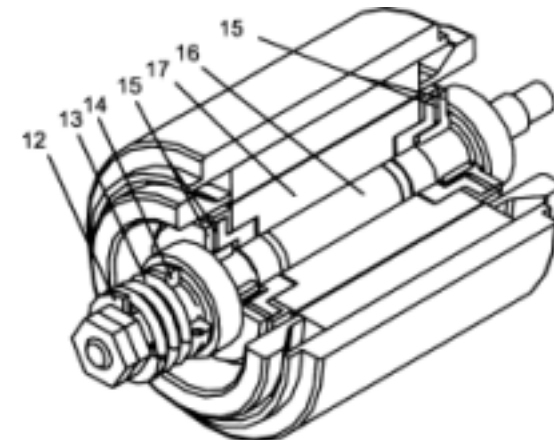
Section 02: clutch – brake

DC- brake with counterscrews (6 holes drilled through the magnetic coil
no more available in new hoists, only produced for spare part supply



slow speed motor of version 9.1
clutch for slow speed motor
(see on page 28)

- No. 1 **Brake - clutch section complete**
- No. 2 **Clutch disc** consists from: clutch disc, feather key, clutch lining
- No. 3 **Rotor section complete*** consists from: rotor, hollow shaft, 2 pcs. bush bearings, parallel pins, axial roller bearing, roller bearing, shim rings
- No. 4 **Motor cover complete** consists from: motor cover, 4 pcs. hexagon socket cap screws, roller bearing, retaining ring, 3 holding screws, 3 clutch socket, 3 counterscrews, 3 connecting screws
- No. 5 **Brake hub / brake disc complete** consists from: brake hub, brake disc, 2 pcs. brake lining, 3 pcs. balls, feather key for Brake hub
- No. 6 **Pressure disc**
- No. 7 **Clutch spring**
- No. 8 **Spring plate complete** consists from: spring plate with welded hexagon nut, hexagon nut
- No. 9 **Motor pinion shaft** (if pinion shaft only is needed please go to spare part list AA lifting gear section 04 part No. 1)
- No. 10 **Magnetic coil complete*** consists from: Magnetic coil, 3 pcs. brake pressure springs, anchor plate
- No. 11 **Clutch section for slow speed motor complete** consists from: Pos. 12 - 17 (look at page 27)
- No. 12 **Spring plate complete** consists from: spring plate with welded hexagon nut, hexagon nut
- No. 13 **Clutch spring**
- No. 14 **Pressure pin**
- No. 15 **Clutch hub** with feather key and clutch lining
- No. 16 **Motor shaft**
- No. 17 **Rotor section complete** consists from: rotor, 2 hollow shafts, 2 bush bearings



*For orders that include rotor unit or magnetic coil please provide power supply data such as voltage, frequency etc.

Electric chain hoists 400 Volts, 3 phases ~ version 2 – 5.1

**spare part list AA – lifting hoist section 02: Clutch - brake
DC- brake with counterscrews
only produced for spare part supply**

No.:	Num ber	Designation	Order- No.: B 2 250/1-12 500/2-6	Order- No.: B 4 500/1-10 1000/2-5	Order- No.: B 3 250/1-8/2 500/2-4/1	Order- No.: B 4.1 1000/1-5 2000/2-2,5	Order- No.: B 4.2 1000/1-10 2000/2-5	Order- No.: B 5 500/1-10/2,5 1000/2-5/1,25	Order- No.: B 5.1 1000/1-5/1,25 2000/2-2,5/0,6
1	1	brake - clutch section complete	AA 02 01 2 00D 400/2 Pos. 2-10	AA 02 01 2 00H 400/2 Pos. 2-10	AA 02 01 2 00G 400/2 Pos. 2-10	AA 02 01 2 00J 400/2 Pos. 2-10	AA 02 01 2 00M 400/2 Pos. 2-10	AA 02 01 2 00I 400/2 Pos. 2-10	AA 02 01 2 00K 400/2 Pos. 2-10
2	1	Clutch disc consists from:	<i>Produce till 1993</i> Clutch disc with 4 holes for pins <i>Produce from 1993</i> Clutch disc with 2 holes for pins		AA 02 01 2 00D 014 1 Clutch disc AA 02 01 0 00D 014 1 Clutch lining AA 02 01 0 00D 023/0 AA 02 01 2 00D 014/0 1 Clutch disc AA 02 01 0 00D 014/0 1 Clutch lining AA 02 01 0 00D 023/0				
3	1	Rotor section complete consists from:	<i>Produce till 1993</i> Hollow shaft with 4 holes for pins AA 02 01 2 00D 042 1 Rotor 1 Hollow shaft 2 Bush bearings 4 Parallel pins AA 02 83 00007 06016 1 Axial roller bearing AA 02 96 51104 00000 1 Roller bearing AA 02 96 16008 00000 3 Shim rings 20x1,0x28 AA 02 70 00988 20010 <i>Produce from 1993</i> Hollow shaft with 2 holes for pins AA 02 01 2 00D 042/0 1 Rotor 1 Hollow shaft 2 Bush bearings 2 Parallel pins AA 02 83 00007 06016 1 Axial roller bearing AA 02 96 51104 00000 1 Roller bearing AA 02 96 16008 00000 3 Shim rings 20x1,0x28 AA 02 70 00988 20010	AA 02 01 2 00G 042 1 Rotor 1 Hollow shaft 2 Bush bearings 4 Parallel pins AA 02 83 00007 06016 1 Axial roller bearing AA 02 96 51104 00000 1 Roller bearing AA 02 96 16008 00000 3 Shim rings 20x1,0x28 AA 02 70 00988 20010 AA 02 01 2 00G 042/0 1 Rotor 1 Hollow shaft 2 Bush bearings 2 Parallel pins AA 02 83 00007 06016 1 Axial roller bearing AA 02 96 51104 00000 1 Roller bearing AA 02 96 16008 00000 3 Shim rings 20x1,0x28 AA 02 70 00988 20010	AA 02 01 2 00D 042 1 Rotor 1 Hollow shaft 2 Bush bearings 4 Parallel pins AA 02 83 00007 06016 1 Axial roller bearing AA 02 96 51104 00000 1 Roller bearing AA 02 96 16008 00000 3 Shim rings 20x1,0x28 AA 02 70 00988 20010 AA 02 01 2 00D 042/0 1 Rotor 1 Hollow shaft 2 Bush bearings 2 Parallel pins AA 02 83 00007 06016 1 Axial roller bearing AA 02 96 51104 00000 1 Roller bearing AA 02 96 16008 00000 3 Shim rings 20x1,0x28 AA 02 70 00988 20010	AA 02 01 2 00I 042 1 Rotor 1 Hollow shaft 2 Bush bearings 4 Parallel pins AA 02 83 00007 06016 1 Axial roller bearing AA 02 96 51104 00000 1 Roller bearing AA 02 96 16008 00000 3 Shim rings 20x1,0x28 AA 02 70 00988 20010 AA 02 01 2 00I 042/0 1 Rotor 1 Hollow shaft 2 Bush bearings 2 Parallel pins AA 02 83 00007 06016 1 Axial roller bearing AA 02 96 51104 00000 1 Roller bearing AA 02 96 16008 00000 3 Shim rings 20x1,0x28 AA 02 70 00988 20010			

Electric chain hoists 400 Volts, 3 phases ~ version 2 – 5.1

spare part list AA – lifting hoist section 02: Clutch – brake
DC- brake with counterscrews
only produced for spare part supply

No.:	Num ber	Designation	Order- No.: B 2 250/1-12 500/2-6	Order- No.: B 4 500/1-10 1000/2-5	Order- No.: B 3 250/1-8/2 500/2-4/1	Order- No.: B 4.1 1000/1-5 2000/2-2,5	Order- No.: B 4.2 1000/1-10 2000/2-5	Order- No.: B 5 500/1-10/2,5 1000/2-5/1,25	Order- No.: B 5.1 1000/1-5/1,25 2000/2-2,5/0,6
4	1	Motor cover complete consists from:				AA 02 01 2 00D 003/2 1 Motor cover AA 02 01 0 00D 003/2 4 Hex.sock.cap screws M5x14 DIN912 AA 02 72 00912 05014 1 Roller bearing AA 02 96 16008 00000 3 Hex.sock.cap screws M6x35 DIN912 AA 02 72 00912 06035 3 Clutch socket M6x10x40 AA 02 50 06010 00400 3 Hex.sock.cap screws M6x20 DIN912 AA 02 72 00912 06020 3 Hex.sock.cap screws M6x14 DIN912 AA 02 72 00912 06014			
5	1	Brake hub / brake disc complete consists from:				AA 02 01 2 00D 017/1 1 Brake hub AA 02 01 0 00D 017/1 1 Feather key AB6x6x16,5 AA 02 23 AB060 60165 1 Brake disc AA 02 01 0 00D 015/2 3 Balls AA 02 50 05401 00800 1 Clutch lining AA 02 01 0 00D 023/0 2 Brake linings AA 02 01 0 00D 022/0			
6	1	Pressure disc				AA 02 01 0 00D 009/2			
7	1	Clutch spring	AA 02 23 00603 04500	AA 02 23 00603 04536	AA 02 23 00405 04300	AA 02 23 00603 004500	AA 02 23 00603 04536		AA 02 23 00603 04500
8	1	Spring plate complete consists from:				AA 02 01 2 00D 018/2 1 Spring plate with welded hexagon nut 1 Hexagon nut M12x1,5 DIN 936			
9	1	Motor pinion shaft				AA 02 01 0 00D 024/1	AA 02 01 0 00I 024/1		AA 02 01 0 00K 024/0
10	1	Magnetic coil consists from:				AA 02 01 2 00D 093/2 1 Magnetic coil AA 02 01 0 00D 093/2 3 Brake pressure springs AA 02 23 00104 00700 1 Anchor plate AA 02 01 0 00D 016/2			

Electric chain hoists 400 Volts, 3 phases ~ version 6 – 9.1

spare part list AA – lifting hoist section 02: Clutch - brake
DC- brake with counterscrews
only produced for spare part supply

No.:	Num ber	Designation	Order- No.: B 6 1000/1-8 2000/2-4	Order- No.: B 6.1 1600/1-10 3200/2-5	Order- No.: B 7 1000/1-6/1,5 2000/2-3/0,75	Order- No.: B 7.1 1600/1-6/1,5 3200/2-3/0,75	Order- No.: B 7.2 1000/1-10/2,5 2000/2-5/1,25	Order- No.: B 8.1 2500/1-8 5000/2-4	Order- No.: B 9.1 2500/1-8/2,5 5000/2-4/1,25
1	1	brake - clutch section complete	AA 02 01 2 00L 400/2 Pos. 2-10	AA 02 01 2 00P 400/2 Pos. 2-10	AA 02 01 2 00O 400/2 Pos. 2-10	AA 02 01 2 00N 400/2 Pos. 2-10	AA 02 01 2 00T 400/2 Pos. 2-10	AA 02 01 2 00R 400/2 Pos. 2-10	AA 02 01 2 00S 400/2 Pos. 2-10
2	1	Clutch disc consists from:			Produce till 1993 Clutch disc with 4 holes for pins	AA 02 01 2 00L 014 1 Clutch disc AA 02 01 0 00L 014 1 Clutch lining AA 02 01 0 00L 023/0			
					Produce from 1993 Clutch disc with 2 holes for pins	AA 02 01 2 00L 014/0 1 Clutch disc AA 02 01 0 00L 014/0 1 Clutch lining AA 02 01 0 00L 023/0			
3	1	Rotor section complete consists from:	AA 02 01 2 00L 042 1 Rotor 1 Hollow shaft 2 Bush bearings 4 Parallel pins AA 02 83 00007 06016 1 Axial roller bearing AA 02 96 51105 00000 1 Roller bearing AA 02 96 16011 00000 3 Shim rings 25x 1.0x35 AA 02 70 00988 25010 AA 02 01 2 00L 042/0 1 Rotor 1 Hollow shaft 2 Bush bearings 2 Parallel pins AA 02 83 00007 06016 1 Axial roller bearing AA 02 96 51105 00000 1 Roller bearing AA 02 96 16011 00000 3 Shim rings 25x 1.0x35 AA 02 70 00988 25010		Produce till 1993 Hollow shaft with 4 holes for pins	AA 02 01 2 00O 042 1 Rotor 1 Hollow shaft 2 Bush bearings 4 Parallel pins AA 02 83 00007 06016 1 Axial roller bearing AA 02 96 51105 00000 1 Roller bearing AA 02 96 16011 00000 3 Shim rings 25x 1.0x35 AA 02 70 00988 25010 AA 02 01 2 00O 042/0 1 Rotor 1 Hollow shaft 2 Bush bearings 2 Parallel pins AA 02 83 00007 06016 1 Axial roller bearing AA 02 96 51105 00000 1 Roller bearing AA 02 96 16011 00000 3 Shim rings 25x 1.0x35 AA 02 70 00988 25010		AA 02 01 2 00R 042 1 Rotor 1 Hollow shaft 2 Bush bearings 4 Parallel pins AA 02 83 00007 06016 1 Axial roller bearing AA 02 96 51105 00000 1 Roller bearing AA 02 96 16011 00000 3 Shim rings 25x 1.0x35 AA 02 70 00988 25010 AA 02 01 2 00R 042/0 1 Rotor 1 Hollow shaft 2 Bush bearings 2 Parallel pins AA 02 83 00007 06016 1 Axial roller bearing AA 02 96 51105 00000 1 Roller bearing AA 02 96 16011 00000 3 Shim rings 25x 1.0x35 AA 02 70 00988 25010	

Electric chain hoists 400 Volts, 3 phases ~ version 6 – 9.1

spare part list AA – lifting hoist section 02: Clutch - brake
DC- brake with counterscrews
only produced for spare part supply

No.:	Num ber	Designation	Order- No.: B 6 1000/1-8 2000/2-4	Order- No.: B 6.1 1600/1-10 3200/2-5	Order- No.: B 7 1000/1-6/1,5 2000/2-3/0,75	Order- No.: B 7.1 1600/1-6/1,5 3200/2-3/0,75	Order- No.: B 7.2 1000/1-10/2,5 2000/2-5/1,25	Order- No.: B 8.1 2500/1-8 5000/2-4	Order- No.: B 9.1 2500/1-8/2,5 5000/2-4/1,25
4	1	Motor cover complete consists from:				AA 02 01 2 00L 003/2 1 Motor cover AA 02 01 0 00L 003/2 4 Hex.sock.cap screws M6x14 DIN 912 AA 02 72 00912 06014 1 Roller bearing AA 02 96 16011 00000 3 Hex.sock.cap screws M6x45 DIN 912 AA 02 72 00912 06045 3 Clutch socket AA 02 50 06010 00400 3 Hex.sock.cap screws M6x35 DIN 912 AA 02 72 00912 06035 3 Hex.sock.cap screws M6x25 DIN 912 AA 02 72 00912 06025			
5	1	Brake hub / brake disc complete consists from:				AA 02 01 2 00L 017/1 1 Brake hub AA 02 01 0 00L 017/1 1 Feather key AA 02 23 A8080 70210 1 Brake disc AA 02 01 0 00L 015/2 3 Balls AA 02 50 05401 01000 1 Clutch lining AA 02 01 0 00L 023/0 2 Brake linings AA 02 01 0 00L 022/0			
6	1	Pressure disc			AA 02 01 0 00L 009/2				
7	1	Clutch spring	AA 02 23 00705 05550		AA 02 23 00700 05500			AA 02 23 00705 05550	
8	1	Spring plate complete consists from:				AA 02 01 2 00L 018/2 1 Spring plate with welded hexagon nut 1 Hexagon nut M16x1,5 DIN 936			
9	1	Motor pinion shaft	AA 02 01 0 00L 024/0	AA 02 01 0 00P 024/0	AA 02 01 0 00O 024/1		AA 02 01 0 00P 024/0	AA 02 01 0 00R 024/1	AA 02 01 0 00S 024/0
10	1	Magnetic coil consists from:				AA 02 01 2 00L 093/2 1 Magnetic coil AA 02 01 0 00L 093/2 6 Brake pressure springs AA 02 23 00104 00700 1 Anchor plate AA 02 01 0 00L 016/2			

Example for order: **AA 02 01 2 00L 400/2** Brake – clutch section complete for version 6

Electric chain hoists 230 Volts, 1 phase ~ version 2AK – 5AK

spare part list AA – lifting hoist section 02: Clutch - brake DC- brake with counterscrews only produced for spare part supply

No.:	Num ber	Designation	Order- No.: B2AK, 2AK1 125/1-24 150/1-20	Order- No.: B 3AK 250/1-8 500/2-4	Order- No.: B 5AK 500/1-10 1000/2-5
1	1	brake - clutch section complete	AA 02 01 2 01D 400/2 Pos. 2-10	AA 02 01 2 01G 400/2 Pos. 2-10	AA 02 01 2 01I 400/2 Pos. 2-10
2	1	Clutch disc consists from:	<i>Produce till 1993</i> <i>Clutch disc with 4 holes for pins</i> <i>Produce from 1993</i> <i>Clutch disc with 2 holes for pins</i>	AA 02 01 2 00D 014 1 Clutch disc <i>AA 02 01 0 00D 014</i> 1 Clutch lining <i>AA 02 01 0 00D 023/0</i> AA 02 01 2 00D 014/0 1 Clutch disc <i>AA 02 01 0 00D 014/0</i> 1 Clutch lining <i>AA 02 01 0 00D 023/0</i>	
3	1	Rotor section complete consists from:	<i>Produce till 1993</i> <i>Hollow shaft with 4 holes for pins</i> <i>Produce from 1993</i> <i>hollow shaft with 2 holes for pins</i>	AA 02 01 2 01D 042 1 Rotor 1 Hollow shaft 2 Bush bearings 4 Parallel pins <i>AA 02 83 00007 06016</i> 1 Axial roller bearing <i>AA 02 96 51104 00000</i> 1 Roller bearing <i>AA 02 96 16008 00000</i> 3 Shim rings 20x1,0x28 <i>AA 02 70 00988 20010</i> AA 02 01 2 01D 042/0 1 Rotor 1 Hollow shaft 2 Bush bearings 2 Parallel pins <i>AA 02 83 00007 06016</i> 1 Axial roller bearing <i>AA 02 96 51104 00000</i> 1 Roller bearing <i>AA 02 96 16008 00000</i> 3 Shim rings 20x1,0x28 <i>AA 02 70 00988 20010</i>	AA 02 01 2 01I 042 1 Rotor 1 Hollow shaft 2 Bush bearings 4 Parallel pins <i>AA 02 83 00007 06016</i> 1 Axial roller bearing <i>AA 02 96 51104 00000</i> 1 Roller bearing <i>AA 02 96 16008 00000</i> 3 Shim rings 20x1,0x28 <i>AA 02 70 00988 20010</i> AA 02 01 2 01I 042/0 1 Rotor 1 Hollow shaft 2 Bush bearings 2 Parallel pins <i>AA 02 83 00007 06016</i> 1 Axial roller bearing <i>AA 02 96 51104 00000</i> 1 Roller bearing <i>AA 02 96 16008 00000</i> 3 Shim rings 20x1,0x28 <i>AA 02 70 00988 20010</i>

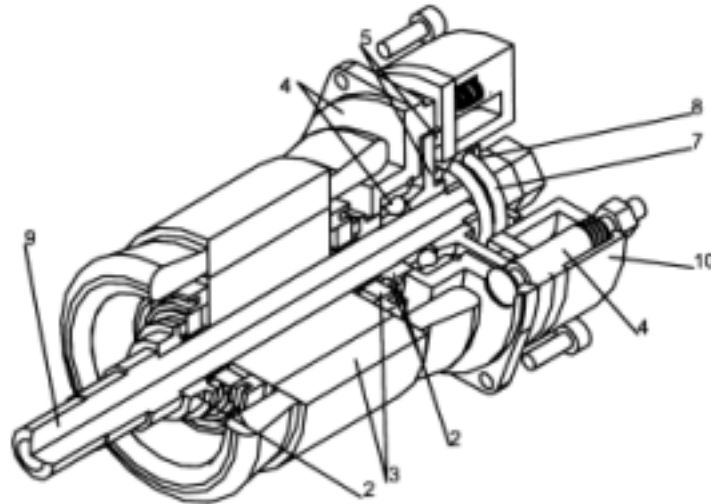
Electric chain hoists 230 Volts, 1 phase ~ version 2AK – 5AK

**spare part list AA – lifting hoist section 02: Clutch - brake
DC- brake with counterscrews
only produced for spare part supply**

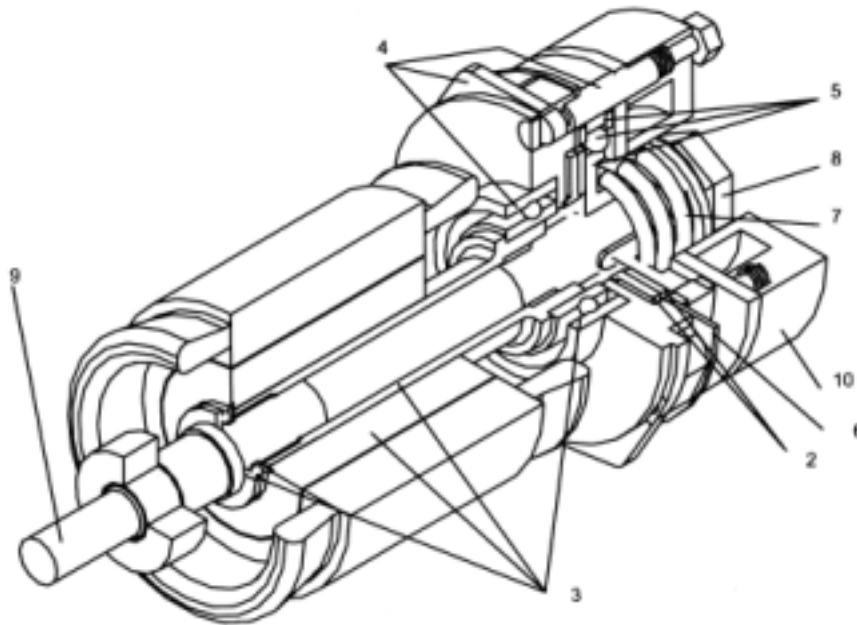
No.:	Num ber	Designation	Order- No.: B2AK, 2AK1 125/1-24 150/1-20	Order- No.: B 3AK 250/1-8 500/2-4	Order- No.: B 5AK 500/1-10 1000/2-5
4	1	Motor cover complete consists from:		AA 02 01 2 00D 003/2 1 Motor cover AA 02 01 0 00D 003/2 4 Hexagon socketcap screws M5x14 DIN 912 AA 02 72 00912 05014 1 Roller bearing AA 02 96 16008 00000 3 Hexagon socketcap screws M6x35 DIN 912 AA 02 72 00912 06035 3 Clutch socketM6x10x40 AA 02 50 06010 00400 3 Hexagon socketcap screws M6x20 DIN 912 AA 02 72 00912 06020 3 Hexagon socketcap screws M6x14 DIN 912 AA 02 72 00912 06014	
5	1	Brake hub / Brake disc complete consists from:		AA 02 01 2 00D 017/1 1 Brake hub AA 02 01 0 00D 017/1 1 Feather key AB6x6x16.5 AA 02 23 AB060 60165 1 Brake disc AA 02 01 0 00D 015/2 3 Balls AA 02 50 05401 00800 1 Clutch lining AA 02 01 0 00D 023/0 2 Brake linings AA 02 01 0 00D 022/0	
6	1	Pressure disc		AA 02 01 0 00D 009/2	
7	1	Clutch spring	AA 02 23 00603 04500	AA 02 23 00405 04300	AA 02 23 00603 04500
8	1	Spring plate complete consists from:		AA 02 01 2 00D 018/2 1 Spring plate with welded hexagon nut 1 Hexagon nutM12x1,5 DIN 936	
9	1	Motor pinion shaft		AA 02 01 0 00D 024/1	AA 02 01 0 001 024/1
10	1	Magnetic coil consists from:		AA 02 01 2 00D 093/2 1 Magnetic coil AA 02 01 0 00D 093/2 3 Brake pressure springs AA 02 23 00104 00700 1 Anchor plate AA 02 01 0 00D 016/2	

DC – brake with brake pressure springs (3 nylocks for brake adjustment)

version 1 – 1.3



version 2 – 9.1



version 9.1
clutch for slow speed
motor
(see on page 28)

- No. 1 **Brake - clutch section complete**
- No. 2 **Clutch disc** consists from: clutch disc, feather key, clutch lining
- No. 3 **Rotor complete*** consists from: rotor, hollow shaft, 2 pcs. bush bearings, parallel pins, axial roller bearing, roller bearing, shim rings
- No. 4 **Motor cover complete** consists from: motor cover, hexagon socket cap screws, roller bearing, retaining ring, 3 counterscrews, 3 clutch socket, 3 counter springs, 3 nylocks to adjust the brake
- No. 5 **Brake hub / brake disc complete** consists from: brake hub, brake disc, 2 pcs. brake lining, 3 pcs. balls, feather key for brake hub
- No. 6 **Pressure disc**
- No. 7 **Clutch spring**
- No. 8 **Spring plate complete** consists from: spring plate with welded hexagon nut, hexagon nut
- No. 9 **Motor pinion shaft** (if pinion shaft only is needed please go to spare part list AA lifting gear section 04 part No. 1)
- No. 10 **Magnetic coil complete*** consists from: magnetic coil, 3 pcs. brake pressure springs, anchor plate
- No. 11 **Clutch section for slow speed motor complete** consists from: Pos. 12 – 17 (lock at page 27)
- No. 12 **Spring plate complete** consists from: spring plate with welded hexagon nut, hexagon nut
- No. 13 **Clutch spring**
- No. 14 **Pressure pin**
- No. 15 **Clutch hub** with feather key and clutch lining
- No. 16 **Motor shaft**
- No. 17 **Rotor complete** consists from: rotor, 2 hollow shafts, 2 bush bearings

*For orders that include rotor unit or magnetic coil, please provide power supply data such as voltage, frequency etc.

Electric chain hoists 400 Volts, 3 phases ~ version 1 – 1.3

 spare part list AA – lifting hoist section 02: Clutch - brake
 DC-brake with brake pressure springs
 (3 nylocks for brake adjustment)

No:	Num ber	Designation	Order-No.: B 1/00A 125/1-8 250/2-4	Order-No.: B 1/50A 100/1-16 200/2-8	Order-No.: B 1.1/00B 250/1-6 500/2-3	Order-No.: B 1.1/50B 250/1-10 500/2-5	Order-No.: B 1.1/51B 320/1-6	Order-No.: B 1.3/00C 160/1-6/1,5 320/2-3/0,75	Order-No.: B 1.3/50C 100/1-10/2,5 200/2-5/1,25	Order-No.: B 1.3/51C 125/1-8/2 250/2-4/1
1	1	Brake – clutch section complete	AA 02 01 2 00A 400/1 Pos. 2-10		AA 02 01 2 00B 400/1 Pos. 2-10			AA 02 01 2 00C 400/1 Pos. 2-10		
2	1	Clutch disc consists from:	AA 02 01 2 00A 014/0 2 Clutch disc AA 02 01 0 00A 014/0 2 Clutchlining AA 02 01 0 00A 023/0 2 Feather key n B5x5x7 AA 02 23 B0505 00070							
3	1	Rotor complete consists from:	AA 02 01 2 00A 042/1 1 Rotor 2 Hollow shafts 2 Bush bearings 16x20x12	AA 02 01 2 50A 042/1 1 Rotor 2 Hollow shafts 2 Bush bearings 16x20x12	AA 02 01 2 50B 042/1 1 Rotor 2 Hollow shafts 2 Bush bearings 16x20x12			AA 02 01 2 00C 042/1 1 Rotor 2 Hollow shafts 2 Bush bearings 16x20x12		
4	1	Motor cover complete consists from:	AA 02 01 2 00A 003/2 1 Motor cover AA 02 01 0 00A 003/2 4 Hexagon socketcap screws M5x14 DIN 912 AA 02 72 00912 05014 1 Roller bearing AA 02 96 06202 00000 1 Retaining ring 35 DIN 472 AA 02 64 00472 00035 3 Hexagon socketcap screws M6x50 DIN 963 AA 02 72 00963 06050 3 Clutch socket M6x10x20 AA 02 50 06010 00200 3 Counter springs AA 02 23 00106 00906 3 nylocks to adjust the brake AA 02 57 00980 00006							
5	1	Brake hub / Brake disc complete consists from:	AA 02 01 2 00A 017/2 1 Brake disc AA 02 01 0 00A 017/2 1 Feather key AB 5x5x15,5 AA 02 23 AB050 50155 1 Brake lining AA 02 01 0 00A 022/0							
6	1	Pressure disc	-							
7	1	Clutch spring	AA 02 23 00306 03200							
8	1	Spring plate complete consists from:	AA 02 01 2 00A 018/2 1 Spring plate with welded hexagon nut 1 Hexagon nut M12x1,5 DIN 936							
9	1	Motor pinion shaft	AA 02 01 0 00A 024/0	AA 02 01 0 00B 024/0			AA 02 01 0 00C 024/0			
10	1	Magnetic coil consists from:	AA 02 01 2 00A 093/2 1 Magnetic coil AA 02 01 0 00A 093/2 3 Brake pressure springs AA 02 23 00104 00700 1 Anchor plate AA 02 52 01011 01602							

Electric chain hoists 400 V, 3 ph ~ version 2 – 4.2

spare part list AA – lifting hoist section 02: Clutch - brake
DC-brake with brake pressure springs
(3 nylocks for brake adjustment)

No	Number	Designation	Order-No.: B 2/00D 250/1-12 500/2-6	Order-No.: B 2/50D 250/1-16 500/2-8	Order-No.: B 2/51D 125/1-16/4	Order-No.: B 2/52D 125/1-24/6	Order-No.: B 2/53D 150/1-24 300/2-12	Order-No.: B 3/00G 250/1-8/2 500/2-4/1	Order-No.: B 4/00H 500/1-10 1000/2-5	Order-No.: B 4.1/00J 1000/1-5 2000/2-2.5	Order-No.: B4.2/00M 1000/1-10 2000/2-5	
1	1	Brake - clutch section	AA 02 01 2 00D 400/3 Pos. 2-10	AA 02 01 2 50D 400/3 Pos. 2-10	AA 02 01 2 51D 400/3 Pos. 2-10	AA 02 01 2 52D 400/3 Pos. 2-10	AA 02 01 2 53D 400/3 Pos. 2-10	AA 02 01 2 00G 400/3 Pos. 2-10	AA 02 01 2 00H 400/3 Pos. 2-10	AA 02 01 2 00J 400/3 Pos. 2-10	AA 02 01 2 00M 400/3 Pos. 2-10	
2	1	Clutch disc consists from: <i>Produce till 1997 Clutch disc with 2 holes for pins</i> <i>Produce from 1998 Clutch disc with milled front</i>	AA 02 01 2 00D 014/0 1 Clutch disc AA 02 01 0 00D 014/0 1 Clutch lining AA 02 01 0 00D 023/0	—	—	—	—	—	AA 02 01 2 00D 014/0 1 Clutch disc AA 02 01 0 00D 014/0 1 Clutch lining AA 02 01 0 00D 023/0	—	—	
							A 02 01 2 00D 014/1 1 Clutch disc AA 02 01 0 00D 014/1 1 Clutch lining AA 02 01 0 00D 023/0					
3	1	Rotor complete consists from: <i>Produce till 1997 Clutch disc with 2 holes for pins</i> <i>Produce from 1998 Clutch disc with milled front</i>	AA 02 01 2 00D 042/0 1 Rotor 1 Hollow shaft 2 Bush bearings 2 Parallel pins AA 02 83 00007 06016 1 Axial roller bearing AA 02 96 51104 00000 1 Roller bearing AA 02 96 16008 00000 3 Shimrings 20x1,0x28 AA 02 70 00988 20010	AA 02 01 2 50D 042/0 1 Rotor 1 Hollow shaft 2 Bush bearings 2 Parallel pins AA 02 83 00007 06016 1 Axial roller bearing AA 02 96 51104 00000 1 Roller bearing AA 02 96 16008 00000 3 Shimrings 20x1,0x28 AA 02 70 00988 20010	—	—	AA 02 01 2 50D 042/0 1 Rotor 1 Hollow shaft 2 Bush bearings 2 Parallel pins AA 02 83 00007 06016 1 Axial roller bearing AA 02 96 51104 00000 1 Roller bearing AA 02 96 16008 00000 3 Shimrings 20x1,0x28 AA 02 70 00988 20010	AA 02 01 2 00G 042/0 1 Rotor 1 Hollow shaft 2 Bush bearings 2 Parallel pins AA 02 83 00007 06016 1 Axial roller bearing AA 02 96 51104 00000 1 Roller bearing AA 02 96 16008 00000 3 Shimrings 20x1,0x28 AA 02 70 00988 20010	AA 02 01 2 00D 042/0 1 Rotor 1 Hollow shaft 2 Bush bearings 2 Parallel pins AA 02 83 00007 06016 1 Axial roller bearing AA 02 96 51104 00000 1 Roller bearing AA 02 96 16008 00000 3 Shimrings 20x1,0x28 AA 02 70 00988 20010	AA 02 01 2 00I 042/0 1 Rotor 1 Hollow shaft 2 Bush bearings 2 Parallel pins AA 02 83 00007 06016 1 Axial roller bearing AA 02 96 51104 00000 1 Roller bearing AA 02 96 16008 00000 3 Shimrings 20x1,0x28 AA 02 70 00988 20010	AA 02 01 2 00I 042/1 1 Rotor 1 Hollow shaft 2 Bush bearings 2 Parallel pins AA 02 83 00007 06016 1 Axial roller bearing AA 02 96 51104 00000 1 Roller bearing AA 02 96 16008 00000 3 Shimrings 20x1,0x28 AA 02 70 00988 20010	
			AA 02 01 2 00D 042/1 1 Rotor 1 Hollow shaft 2 Bush bearings 1 Axial roller bearing AA 02 96 51104 00000 1 Roller bearing AA 02 96 06007 2RSR0 3 Shimrings 20x1,0x28 AA 02 70 00988 20010	AA 02 01 2 50D 042/1 1 Rotor 1 Hollow shaft 2 Bush bearings 1 Axial roller bearing AA 02 96 51104 00000 1 Roller bearing AA 02 96 06007 2RSR0 3 Shimrings 20x1,0x28 AA 02 70 00988 20010	AA 02 01 2 00G 042/1 1 Rotor 1 Hollow shaft 2 Bush bearings 1 Axial roller bearing AA 02 96 51104 00000 1 Roller bearing AA 02 96 06007 2RSR0 3 Shimrings 20x1,0x28 AA 02 70 00988 20010	AA 02 01 2 50D 042/1 1 Rotor 1 Hollow shaft 2 Bush bearings 1 Axial roller bearing AA 02 96 51104 00000 1 Roller bearing AA 02 96 06007 2RSR0 3 Shimrings 20x1,0x28 AA 02 70 00988 20010	AA 02 01 2 00G 042/1 1 Rotor 1 Hollow shaft 2 Bush bearings 1 Axial roller bearing AA 02 96 51104 00000 1 Roller bearing AA 02 96 06007 2RSR0 3 Shimrings 20x1,0x28 AA 02 70 00988 20010	AA 02 01 2 00D 042/1 1 Rotor 1 Hollow shaft 2 Bush bearings 1 Axial roller bearing AA 02 96 51104 00000 1 Roller bearing AA 02 96 06007 2RSR0 3 Shimrings 20x1,0x28 AA 02 70 00988 20010	AA 02 01 2 00I 042/1 1 Rotor 1 Hollow shaft 2 Bush bearings 1 Axial roller bearing AA 02 96 51104 00000 1 Roller bearing AA 02 96 06007 2RSR0 3 Shimrings 20x1,0x28 AA 02 70 00988 20010	AA 02 01 2 00I 042/1 1 Rotor 1 Hollow shaft 2 Bush bearings 1 Axial roller bearing AA 02 96 51104 00000 1 Roller bearing AA 02 96 06007 2RSR0 3 Shimrings 20x1,0x28 AA 02 70 00988 20010		
4	1	Motor cover complete consists from: <i>Produce till 1997 Motor cover for Roller bearing 16008 (Outside - 068)</i> <i>Produce from 1998 Motor cover for Roller bearing 6007 (Outside - 062)</i>	AA 02 01 2 00D 003/3 1 Motor cover AA 02 01 0 00D 003/3 4 Hexag.sock.cap screws M5x14 DIN 912 AA 02 72 00912 05014 1 Roller bearing AA 02 96 16008 00000 3 Hexag.sock.cap screws M6X70 DIN 84 AA 02 72 00084 06070 3 Clutch socket AA 02 50 06010 00400 3 Counter springs AA 02 23 00106 00906 3 Nylocks to adjust the brake AA 02 57 00980 00006	—	—	—	AA 02 01 2 00D 003/4 1 Motor cover AA 02 01 0 00D 003/4 4 Hexag.sock.cap screws M5x14 DIN 912 AA 02 72 00912 05014 1 Roller bearing AA 02 96 06007 2RSR0 3 Hexag.sock.cap screws M6X70 DIN 84 AA 02 72 00084 06070 3 Clutch socket AA 02 50 06010 00400 3 Counter springs AA 02 23 00106 00906 3 Nylocks to adjust the brake AA 02 57 00980 00006	AA 02 01 2 00D 003/3 1 Motor cover AA 02 01 0 00D 003/3 4 Hexag.sock.cap screws M5x14 DIN 912 AA 02 72 00912 05014 1 Roller bearing AA 02 96 16008 00000 3 Hexag.sock.cap screws M6X70 DIN 84 AA 02 72 00084 06070 3 Clutch socket AA 02 50 06010 00400 3 Counter springs AA 02 23 00106 00906 3 Nylocks to adjust the brake AA 02 57 00980 00006	—	—	—	—

Electric chain hoists 400 V, 3 ph ~ Bauform 5 – 7.2

spare part list AA – lifting hoist section 02: Clutch – brake
DC- brake with brake pressure springs
(3 nylocks for brake adjustment)

No	Number	Designation	Order- No.: B 5/001 500/1-10/2,5 1000/2-5/1,25	Order- No.: B 5/501 250/1-16/4	Order- No.: B5.1/00K 1000/1-5/1,25 2000/2-2,5/0,6	Order- No.: B 6/00L 1000/1-8 2000/2-4	Order- No.: B 6/51L 1000/1-16 2000/2-8	Order- No.: B6.1/00P 1600/1-10 3200/2-5	Order- No.: B 7/000 1000/1-6/1,5 2000/2-3/0,75	Order- No.: B7.1/00N 1600/1-6/1,5 3200/2-3/0,75	Order- No.: B7.2/00T 1000/1-10/2,5 2000/2-5/1,25
1	1	Brake - clutch section	AA 02 01 2 001 400/3 Pos. 2-10	AA 02 01 2 501 400/3 Pos. 2-10	AA 02 01 2 00K 400/3 Pos. 2-10	AA 02 01 2 00L 400/3 Pos. 2-10	AA 02 01 2 51L 400/3 Pos. 2-10	AA 02 01 2 00P 400/3 Pos. 2-10	AA 02 01 2 00O 400/3 Pos. 2-10	AA 02 01 2 00N 400/3 Pos. 2-10	AA 02 01 2 00T 400/3 Pos. 2-10
2	1	Clutch disc consists from: <i>Produce till 1997</i> Clutch disc with 2 holes for pins <i>Produce from 1998</i> Clutch disc with milled front	AA 02 01 2 00D 014/0 1 Clutch disc AA 02 01 0 00D 014/0 1 Clutch lining AA 02 01 0 00D 023/0	—	AA 02 01 2 00D 014/0 1 Clutch disc AA 02 01 0 00D 014/0 1 Clutch lining AA 02 01 0 00D 023/0	—	—	AA 02 01 2 00L 014/0 1 Clutch disc AA 02 01 0 00L 014/0 1 Clutch lining AA 02 01 0 00L 023/0	AA 02 01 2 00O 014/1 1 Clutch disc AA 02 01 0 00L 014/1 1 Clutch lining AA 02 01 0 00L 023/0	—	—
3	1	Rotor complete consists from: <i>Produce till 1997</i> Clutch disc with 2 holes for pins <i>Produce from 1998</i> Clutch disc with milled front	AA 02 01 2 001 042/0 1 Rotor 1 Hollow shaft 2 Bush bearings 2 Parallel pins AA 02 83 00007 06016 1 Axial roller bearing AA 02 96 51104 00000 1 Roller bearing AA 02 96 16008 00000 3 Shim rings 20x1,0x28 AA 02 70 00988 20010	—	AA 02 01 2 001 042/0 1 Rotor 1 Hollow shaft 2 Bush bearings 2 Parallel pins AA 02 83 00007 06016 1 Axial roller bearing AA 02 96 51104 00000 1 Roller bearing AA 02 96 16008 00000 3 Shim rings 20x1,0x28 AA 02 70 00988 20010	AA 02 01 2 00L 042/0 1 Rotor 1 Hollow shaft 2 Bush bearings 2 Parallel pins AA 02 83 00007 06016 1 Axial roller bearing AA 02 96 51105 00000 1 Roller bearing AA 02 96 16011 00000 3 Shim rings 25x1,0x35 AA 02 70 00988 25010	AA 02 01 2 00P 042/0 1 Rotor 1 Hollow shaft 2 Bush bearings 2 Parallel pins AA 02 83 00007 06016 1 Axial roller bearing AA 02 96 51105 00000 1 Roller bearing AA 02 96 16011 00000 3 Shim rings 25x1,0x35 AA 02 70 00988 25010	AA 02 01 2 00O 042/1 1 Rotor 1 Hollow shaft 2 Bush bearings 2 Parallel pins AA 02 83 00007 06016 1 Axial roller bearing AA 02 96 51105 00000 1 Roller bearing AA 02 96 16011 00000 3 Shim rings 25x1,0x35 AA 02 70 00988 25010	AA 02 01 2 000 042/0 1 Rotor 1 Hollow shaft 2 Bush bearings 2 Parallel pins AA 02 83 00007 06016 1 Axial roller bearing AA 02 96 51105 00000 1 Roller bearing AA 02 96 16011 00000 3 Shim rings 25x1,0x35 AA 02 70 00988 25010	AA 02 01 2 000 042/1 1 Rotor 1 Hollow shaft 2 Bush bearings 2 Parallel pins AA 02 83 00007 06016 1 Axial roller bearing AA 02 96 51105 00000 1 Roller bearing AA 02 96 16011 00000 3 Shim rings 25x1,0x35 AA 02 70 00988 25010	
4	1	Motor cover complete consists from: <i>Produce till 1997</i> Motor cover for roller bearing 16008 (Outside - Ø68) bzw. 16011 (Outside - Ø90) <i>Produce from 1998</i> Motor cover for roller bearing 6007 (Outside - Ø62) bzw. 6009 (Outside - Ø75)	AA 02 01 2 00D 003/3 1 Motor cover AA 02 01 0 00D 003/3 4 Hex sock cap screws M5x14 AA 02 72 00912 05014 1 Roller bearing AA 02 96 16008 00000 3 Hex sock cap screws M6X70 AA 02 72 00084 06070 3 Clutch socket AA 02 50 06010 00400 3 Counter springs AA 02 23 00106 00906 3 Nylocks to adjust the brake AA 02 57 00980 00006	—	AA 02 01 2 00D 003/3 1 Motor cover AA 02 01 0 00D 003/3 4 Hex sock cap screws M5x14 AA 02 72 00912 05014 1 Roller bearing AA 02 96 16008 00000 3 Hex sock cap screws M6X70 AA 02 72 00084 06070 3 Clutch socket AA 02 50 06010 00400 3 Counter springs AA 02 23 00106 00906 3 Nylocks to adjust the brake AA 02 57 00980 00006	AA 02 01 2 00L 003/3 1 Motor cover AA 02 01 0 00L 003/3 4 Hexag sock cap screws M6x14 DIN 912 AA 02 72 00912 06014 1 Roller bearing AA 02 96 16011 00000 3 Hexag sock cap screws M6x70 DIN 84 AA 02 72 00084 06070 3 Clutch socket AA 02 50 06010 00400 3 Counter springs AA 02 23 00106 00906 3 Nylocks to adjust the brake M6 DIN 980 AA 02 57 00980 00006	AA 02 01 2 00L 003/4 1 Motor cover AA 02 01 0 00L 003/4 4 Hexag sock cap screws M6x14 DIN 912 AA 02 72 00912 06014 1 Roller bearing AA 02 96 06009 2RSR0 3 Hexag sock cap screws M6x70 DIN 84 AA 02 72 00084 06070 3 Clutch socket AA 02 50 06010 00400 3 Counter springs AA 02 23 00106 00906 3 Nylocks to adjust the brake M6 DIN 980 AA 02 57 00980 00006				

No:	Num ber	Designation	Order- No.: B 5/001 500/1-10/2,5 1000/2-5/1,25	Order- No.: B 5/50I 250/1-16/4	Order- No.: B5.1/00K 1000/1-5/1,25 2000/2-2,5/0,6	Order- No.: B 6/00L 1000/1-8 2000/2-4	Order- No.: B 6/51L 1000/1-16 2000/2-8	Order- No.: B6.1/00P 1600/1-10 3200/2-5	Order- No.: B 7/00O 1000/1-6/1,5 2000/2-3/0,75	Order- No.: B7.1/00N 1600/1-6/1,5 3200/2-3/0,75	Order- No.: B7.2/00T 1000/1-10/2,5 2000/2-5/1,25
5	1	Brake hub / Brake disc complete consists from:		AA 02 01 2 00D 017/1 1 Brake hub AA 02 01 0 00D 017/1 1 Feather key AB6x6x16,5 AA 02 23 AB060 60165 1 Brake disc AA 02 01 0 00D 015/2 3 Balls AA 02 50 05401 00800 1 Clutch lining AA 02 01 0 00D 023/0 2 Brake linings AA 02 01 0 00D 022/0				AA 02 01 2 00L 017/1 1 Brake hub AA 02 01 0 00L 017/1 1 Feather key AB 8x7x21 AA 02 23 AB080 70210 1 Brake disc AA 02 01 0 00L 015/2 3 Balls AA 02 50 05401 01000 1 Clutch lining AA 02 01 0 00L 023/0 2 Brake linings AA 02 01 0 00L 022/0			
6	1	Pressure disc		AA 02 01 0 00D 009/3				AA 02 01 0 00L 009/3			
7	1	Clutch spring		AA 02 23 00603 04500			AA 02 23 00705 05550			AA 02 23 00700 05500	
8	1	Spring plate complete consists from:		AA 02 01 2 00D 018/2 1 Spring plate with welded hexagon nut 1 Sechskantmutter M12x1,5 DIN 936				AA 02 01 2 00L 018/2 1 Spring plate with welded hexagon nut 1 Sechskantmutter M16x1,5 DIN 936			
9	1	Motor pinion shaft		AA 02 01 0 00I 024/1	AA 02 01 0 00K 024/0	AA 02 01 0 00L 024/0		AA 02 01 0 00P 024/0		AA 02 01 0 00O 024/1	AA 02 01 0 00P 024/0
10	1	Magnetic coil consists from:		AA 02 01 2 00D 093/3 1 Magnetic coil AA 02 01 0 00D 093/3 3 Brake springs AA 02 23 00104 00700 1 Anchor plate AA 02 52 01023 01603				AA 02 01 2 00L 093/3 1 Magnetic coil AA 02 01 0 00L 093/3 6 Brake springs AA 02 23 00104 00700 1 Anchor plate AA 02 52 02041 01603			

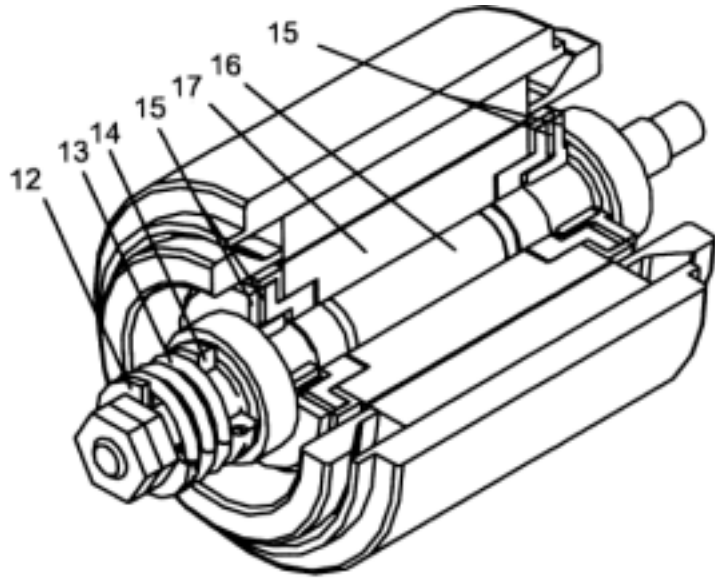
Electric chain hoists 400 V, 3 ph ~ version 8.1 – 9.1

spare part list AA – lifting hoist section 02: Clutch - brake DC- brake with brake pressure springs (3 nylocks for brake adjustment)

No	Number	Designation	Order- No.: B8.1/00R 2500/1-8 5000/2-4	Order- No.: B8.2/50U 2500/1-4 5000/2-2	Order- No.: B8.1/52R 3200/1-7 3200/2-3,5	Order- No.: B9.1/00S 2500/1-8/2,5 5000/2-4/1,25
1	1	Brake - clutch section	AA 02 01 2 00R 400/3 Pos. 2-10	AA 02 01 2 50U 400/3 Pos. 2-10	AA 02 01 2 52R 400/3 Pos. 2-10	AA 02 01 2 00S 400/3 Pos. 2-10
2	1	Clutch disc Consists from:	<i>Produce till 1997</i> Clutch disc with 2 holes for pins AA 02 01 2 00L 014/0 1 Clutch disc AA 02 01 0 00L 014/0 1 Clutch lining AA 02 01 0 00L 023/0	—	AA 02 01 2 00L 014/0 1 Clutch disc AA 02 01 0 00L 014/0 1 Clutch lining AA 02 01 0 00L 023/0	—
			<i>Produce from 1998</i> Clutch disc with milled front AA 02 01 2 00L 014/1 1 Clutch disc AA 02 01 0 00L 014/1 1 Clutch lining AA 02 01 0 00L 023/0	—	—	—
3	1	Rotor complete consists from:	<i>Produce till 1997</i> Clutch disc with 2 holes for pins AA 02 01 2 00R 042/0 1 Rotor 1 Hollow shaft 2 Bush bearings 2 Parallel pins AA 02 83 00007 06016 1 Axial roller bearing AA 02 96 51105 00000 1 Roller bearing AA 02 96 16011 00000 3 Shim rings 25x1,0x35 AA 02 70 00988 25010	—	AA 02 01 2 00R 042/0 1 Rotor 1 Hollow shaft 2 Bush bearings 2 Parallel pins AA 02 83 00007 06016 1 Axial roller bearing AA 02 96 51105 00000 1 Roller bearing AA 02 96 16011 00000 3 Shim rings 25x1,0x35 AA 02 70 00988 25010	—
			<i>Produce from 1998</i> Clutch disc with milled front AA 02 01 2 00R 042/1 1 Rotor 1 Hollow shaft 2 Bush bearings 1 Axial roller bearing AA 02 96 51105 00000 1 Roller bearing AA 02 96 06009 2RSR0 3 Shim rings 25x1,0x35 AA 02 70 00988 25010	—	—	—
4	1	Motor cover complete consists from:	<i>Produce till 1997</i> Motor cover for Roller bearing 16011 (Outside - Ø90) AA 02 01 2 00L 003/3 1 Motor cover AA 02 01 0 00L 003/3 4 screws M6x14 AA 02 72 00912 06014 1 Roller bearing AA 02 96 16011 00000 3 screws M6x70 AA 02 72 00084 06070 3 Clutch socket AA 02 50 06010 00400 3 Counter springs AA 02 23 00106 00906 3 Nylocks to adjust the brake AA 02 57 00980 00006	—	AA 02 01 2 00L 003/3 1 Motor cover AA 02 01 0 00L 003/3 4 screws M6x14 AA 02 72 00912 06014 1 Roller bearing AA 02 96 16011 00000 3 screws M6x70 AA 02 72 00084 06070 3 Clutch socket AA 02 50 06010 00400 3 Counter springs AA 02 23 00106 00906 3 Nylocks to adjust the brake AA 02 57 00980 00006	—
			<i>Produce from 1998</i> Motor cover for Roller bearing 6009 (Outside - Ø75) AA 02 01 2 00L 003 /4 1 Motor cover AA 02 01 0 00L 003 /4 4 Hexag.sock.cap screws M6x14 DIN 912 AA 02 72 00912 06014 1 Roller bearing AA 02 96 06009 2RSR0 3 Hexag.sock.cap screws M6x70 DIN 84 AA 02 72 00084 06070 3 Clutch socket AA 02 50 06010 00400 3 Counter springs AA 02 23 00106 00906 3 Nlocks to adjust the brake M6 DIN 980 AA 02 57 00980 00006	—	—	—
			<i>Produce from 1998</i> Motor cover for Roller bearing 6009 (Outside - Ø75) AA 02 01 2 00L 003 /4 1 Motor cover AA 02 01 0 00L 003 /4 4 Hexag.sock.cap screws M6x14 DIN 912 AA 02 72 00912 06014 1 Roller bearing AA 02 96 06009 2RSR0 3 Hexag.sock.cap screws M6x70 DIN 84 AA 02 72 00084 06070 3 Clutch socket AA 02 50 06010 00400 3 Counter springs AA 02 23 00106 00906 3 Nlocks to adjust the brake M6 DIN 980 AA 02 57 00980 00006	—	—	—

No:	Number	Designation	Order-No.: B8.1/00R 2500/1-8 5000/2-4	Order- No.: B8.2/50U 2500/1-4 5000/2-2	Order- No.: B8.1/52R 3200/1-7 3200/2-3,5	Order- No.: B9.1/00S 2500/1-8/2,5 5000/2-4/1,25
5	1	Brake hub / Brake disc complete consists from:	AA 02 01 2 00L 017/1 1 Brake hub AA 02 01 0 00L 017/1 1 Feather key AB8x7x21 AA 02 23 AB080 70210 1 Brake disc AA 02 01 0 00L 015/2 3 Balls AA 02 50 05401 01000 1 Clutch lining AA 02 01 0 00L 023/0 2 Brake linings AA 02 01 0 00L 022/0	—	AA 02 01 2 52R 017/0 1 Brake hub AA 02 01 0 52R 017/0 1 Feather key AB8x7x21 AA 02 23 AB080 70210 1 Brake disc AA 02 01 0 00L 015/2 3 Balls AA 02 50 05401 01000 1 Clutch lining AA 02 01 0 00L 023/0 2 Brake linings AA 02 01 0 00L 022/0	AA 02 01 2 00L 017/1 1 Brake hub AA 02 01 0 00L 017/1 1 Feather key AB8x7x21 AA 02 23 AB080 70210 1 Brake disc AA 02 01 0 00L 015/2 3 Balls AA 02 50 05401 01000 1 Clutch lining AA 02 01 0 00L 023/0 2 Brake linings AA 02 01 0 00L 022/0
6	1	Pressure disc	AA 02 01 0 00L 009/3			
7	1	Clutch spring	AA 02 23 00705 05550	—	AA 02 23 00800 05600	AA 02 23 00705 05550
8	1	Spring plate complete consists from:	AA 02 01 2 00L 018/2 1 Spring plate with welded hexagon nut 1 Hexagon nut M16x1,5 DIN 936			
9	1	Motor pinion shaft	AA 02 01 0 00R 024/1	—	AA 02 01 0 52R 024/0	AA 02 01 0 00S 024/0
10	1	Magnetic coil consists from:	AA 02 01 2 00L 093/3 1 Magnetic coil AA 02 01 0 00L 093/3 6 Brake springs AA 02 23 00104 00700 1 Anchor plate AA 02 52 02041 01603			

Electric chain hoist 400 V, 3 phases ~ version 9.1



spare part list AA – lifting hoist section 02: Clutch - brake clutch section for slow speed motor

- No. 11 **Clutch section for slow speed motor complete** consists from: Pos. 12 - 17
 No. 12 **Spring plate complete** consists from: spring plate with welded hexagon nut, hexagon nut
 No. 13 **Clutch spring**
 No. 14 **Pressure pin**
 No. 15 **Clutch hub complete** consists from: clutch hub, feather key, clutch lining
 No. 16 **Motor shaft**
 No. 17 **Rotor complete** consists from: rotor, 2 hollow shafts, 2 bush bearings

No.:	Number	Designation	Order- No.: B 9.1/00S
11	1	Clutch section for slow speed motor complete	AA 02 01 2 00S 401/1 Pos. 12 – 17
12	1	Spring plate complete consists from:	AA 02 01 2 00S 095/0 1 Spring plate with welded hexagon nut 1 Hexagon nut M12x1,5 DIN 936
13	1	Clutch spring	AA 02 23 00603 04500
14	1	Pressure pin	AA 02 01 0 00S 094/0
15	1	Clutch hub complete consists from:	AA 02 01 2 00S 019/0 1 Clutch hub <i>AA 02 01 0 00S 019/0</i> 1 Clutch lining <i>AA 02 01 0 00D 023/0</i> 1 Feather key B8x7x14 <i>AA 02 23 B0807 00140</i>
16	1	Motor shaft	AA 02 01 0 00S 030/0
17	1	Rotor complete consists from:	AA 02 01 2 00S 032/1 1 Rotor 2 bush bearing 2 Hollow shafts

Example for order: **AA 02 01 2 00S 401/1** Clutch section for slow speed motor complete version 9.1

Electric chain hoists 220/230V, 1 phase ~ version 1AK – 5AK

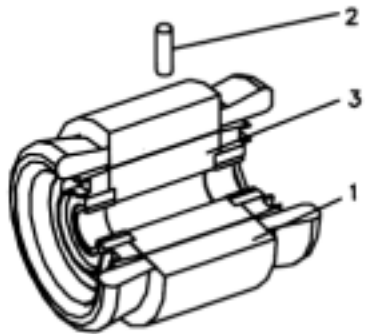
spare part list AA – lifting hoist section 02: Clutch - brake
DC- brake with brake pressure springs
(3 nylocks for brake adjustment)

No	Number	Designation	Order- No.: B1AK/01A 60/1-16 120/2-8	Order- No.: B1.1AK01B 150/1-6 300/2-3	Order- No.: B1.1AK02B 80/1-6 160/2-3	Order- No.: B2AK01D 125/1-24 250/2-12	Order- No.: B 2AK02D 150/1-16 300/2-8	Order- No.: B3AK01G 250/1-8 500/2-4	Order- No.: B5AK/521 250/1-16/5	Order- No.: B 5AK/011 500/1-10 1000/2-5	Order- No.: B5.1AK01K 1000/1-10 2000/2-5		
1	1	Brake - clutch section	AA 02 01 2 01A 400/1 Pos. 2-10	AA 02 01 2 01B 400/1 Pos. 2-10	AA 02 01 2 02B 400/1 Pos. 2-10	AA 02 01 2 01D 400/1 Pos. 2-10	AA 02 01 2 02D 400/1 Pos. 2-10	AA 02 01 2 01G 400/1 Pos. 2-10	AA 02 01 2 521 400/1 Pos. 2-10	AA 02 01 2 011 400/1 Pos. 2-10	AA 02 01 2 01K 400/1 Pos. 2-10		
2	1	Clutch disc consists from: <i>Produce till 1997 Clutch disc with 2 holes for pins</i> <i>Produce from 1998 Clutch disc with milled front</i>	AA 02 01 2 00A 014/0 2 Clutch discs AA 02 01 0 00A 014/0 2 Clutch linings AA 02 01 0 00A 023/0 2 Feather keys B5x5x7 AA 02 23 B0505 00070			AA 02 01 2 00D 014/0 1 Clutch disc AA 02 01 0 00D 014/0 1 Clutch lining AA 02 01 0 00D 023/0 AA 02 01 2 00D 014/1 1 Clutch disc AA 02 01 0 00D 014/1 1 Clutch lining AA 02 01 0 00D 023/0							
3	1	Rotor complete consists from: <i>Produce till 1997 Hollow shaft with 2 holes for pins</i> <i>Produce from 1998 Hollow shaft with depositio n the part of the front</i>	AA 02 01 2 01A 042/1 1 Rotor 1 Hollow shaft 2 Bush bearings			AA 02 01 2 01D 042/0 1 Rotor 1 Hollow shaft 2 Bush bearings 2 Parallel pins AA 02 83 00007 06016 1 Axial roller bearing AA 02 96 51104 00000 1 Roller bearing AA 02 96 16008 00000 3 Shim rings 20x1.0x28 AA 02 70 00988 20010		AA 02 01 2 01D 042/1 1 Rotor 1 Hollow shaft 2 Bush bearings 1 Axial roller bearing AA 02 96 51104 00000 1 Roller bearing AA 02 96 06007 2RSR0 3 Shim rings 20x1.0x28 AA 02 70 00988 20010		AA 02 01 2 011 042/0 1 Rotor 1 Hollow shaft 2 Bush bearing 2 Parallel pins AA 02 83 00007 06016 1 Axial-roller bearing AA 02 96 51104 00000 1 Roller bearing AA 02 96 16008 00000 3 Shim rings 20x1.0x28 AA 02 70 00988 20010		AA 02 01 2 011 042/1 1 Rotor 1 Hollow shaft 2 Bush bearings 1 Axial roller bearing AA 02 96 51104 00000 1 Roller bearing AA 02 96 06007 2RSR0 3 Shim rings 20x1.0x28 AA 02 70 00988 20010	
4	1	Motor cover complete consists from: <i>Produce till 1997 Motor cover for roller bearing 16008 (outside-Ø68)</i> <i>Produce from 1998 Motor cover for roller bearing 6007 (outside-Ø62)</i>	AA 02 01 2 00A 003/2 1 Motor cover AA 02 01 0 00A 003/2a 4 Hexag. sock. cap screws M5x14 DIN 912 AA 02 72 00912 05014 1 Roller bearing AA 02 96 06202 00000 1 Retaining ring 35 DIN 472 AA 02 64 00472 00035 3 Hexag. sock. cap screws M6x50 DIN 963 AA 02 72 00912 06050 3 Clutch socket AA 02 50 06010 00200 3 Counter springs AA 02 23 00106 00906 3 nylocks to adjust the brake M6 DIN 980 AA 02 57 00980 00006			AA 02 01 2 00D 003/3 1 Motor cover AA 02 01 0 00D 003/3 4 Hexag. sock. cap screws M5x14 DIN 912 AA 02 72 00912 05014 1 Roller bearing AA 02 96 16008 00000 3 Hexag. sock. cap screws M6x70 DIN 84 AA 02 72 00084 06070 3 Clutch socket AA 02 50 06010 00400 3 Counter springs AA 02 23 00106 00906 3 Nylocks to adjust the brake M6 DIN 980 AA 02 57 00980 00006		AA 02 01 2 00D 003/3 1 Motor cover AA 02 01 0 00D 003/3 4 Hex. sock. cap screws M5x14 AA 02 72 00912 05014 1 Roller bearing AA 02 96 16008 00000 3 Hex. sock. cap screws M6x70 AA 02 72 00084 06070 3 Clutch socket AA 02 50 06010 00400 3 Counter springs AA 02 23 00106 00906 3 Nylocks to adjust the brake AA 02 57 00980 00006		AA 02 01 2 00D 003/4 1 Motor cover AA 02 01 0 00D 003/4 4 Hexag. sock. cap screws M5x14 DIN 912 AA 02 72 00912 05014 1 Roller bearing AA 02 96 06007 2RSR0 3 Hexag. sock. cap screws M6x70 DIN 84 AA 02 72 00084 06070 3 Clutch socket AA 02 50 06010 00400 3 Counter springs AA 02 23 00106 00906 3 Nylocks to adjust the brake M6 DIN 980 AA 02 57 00980 00006			

No:	Number	Designation	Order- No.: B1AK/01A 60/1-16 120/2-8	Order-No.: B1.1AK/01B 150/1-6 300/2-3	Order- No.: B1.1AK/02B 80/1-6 160/2-3	Order- No.: B2AK/01D 125/1-24 250/2-12	Order- No.: B 2AK/02D 150/1-16 300/2-8	Order- No.: B3AK/01G 250/1-8 500/2-4	Order- No.: B5AK/52I 250/1-16/5	Order- No.: B 5AK/01I 500/1-10 1000/2-5	Order- No.: B5.1AK/01K 1000/1-10 2000/2-5
5	1	Brake hub / Brake disc complete consists from:		AA 02 01 2 00A 017/2 1 Brake disc AA 02 01 0 00A 017/2 1 Feather key AB5x5x15,5 AA 02 23 AB050 50155 1 Brake lining AA 02 01 0 00A 022/0				AA 02 01 2 00D 017/1 1 Brake disc AA 02 01 0 00D 017/1 1 Feather key AB6x6x16,5 AA 02 23 AB060 60165 1 BremBrake liningscheibe AA 02 01 0 00D 015/2 3 Balls AA 02 50 05401 00800 1 Clutch lining AA 02 01 0 00D 023/0 2 Brake linings AA 02 01 0 00D 022/0			
6	1	Pressure disc		—				AA 02 01 0 00D 009/3			
7	1	Clutch spring		AA 02 23 00306 03200		AA 02 23 00603 04500		AA 02 23 00405 04300		AA 02 23 00603 04500	
8	1	Spring plate complete consists from:		AA 02 01 2 00A 018/2 1 Spring plate with welded hexagon nut 1 Hexagon nutM12x1,5 DIN 936				AA 02 01 2 00D 018/2 1 Spring plate with welded hexagon nut 1 Hexagon nutM12x1,5 DIN 936			
9	1	Motor pinion shaft	AA 02 01 0 00A 024/0	AA 02 01 0 00B 024/0		AA 02 01 0 00D 024/1		AA 02 01 0 50I 024/1	AA 02 01 0 00I 024/1	AA 02 01 0 00K 024/0	
10	1	Magnetic coil consists from:		AA 02 01 2 00A 093/2 1 Magnetic coil AA 02 01 0 00A 093/2 3 Brake springs AA 02 23 00104 00700 1 Anchor plate AA 02 52 01011 01602				AA 02 01 2 00D 093/3 1 Magnetic coil AA 02 01 0 00D 093/3 3 Brake springs AA 02 23 00104 00700 1 Anchor plate AA 02 52 01023 01603			

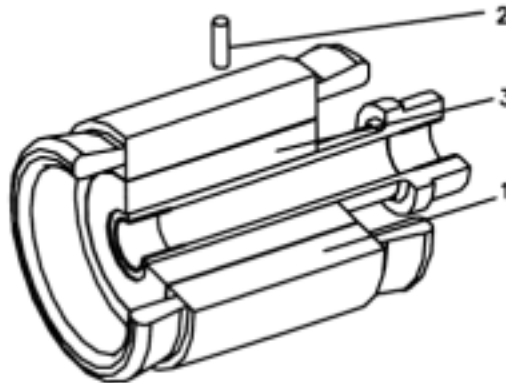
Spare part list AA – lifting gear section 03: motor section

version 1 - 1.3



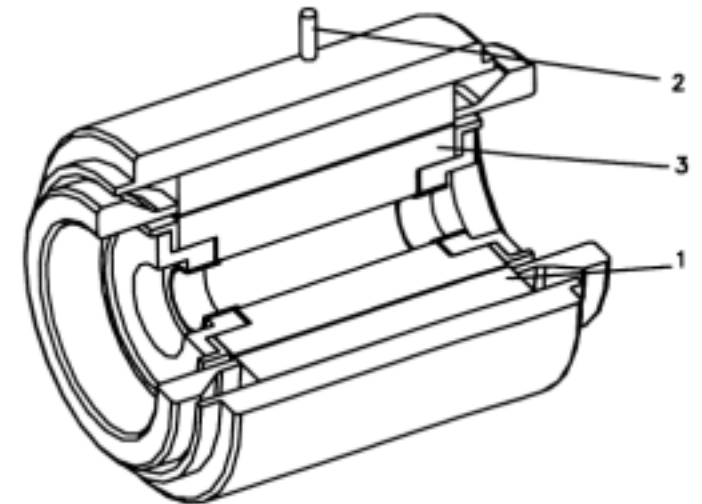
- No. 1 **Stator**
 No. 2 **Stator screw**
 No. 3 **Rotor complete** consists from: rotor, 2 pcs. hollow shaft,
 2 pcs. bush bearings

version 2 - 9.1



- No. 1 **Stator**
 No. 2 **Stator screw**
 No. 3 **Rotor complete** consists from: rotor, hollow shaft,
 2 pcs. bush bearings, parallel pins, axial roller bearing,
 roller bearing, shim rings

only for slow speed motor
 version 9.1



- No. 1 **Stator**
 No. 2 **Stator screw**
 No. 3 **Rotor complete** consists from: rotor,
 2 pcs. hollow shaft, 2 pcs. bush bearings

For orders please provide power supply data such as voltage, frequency etc.!

Electric chain hoists 400 Volts, 3 phases ~ version 1 – 1.3
spare part list AA - lifting gear section 03: motor section

No:	Number	Designation	Order No.: B 1/00A 125/1-8 250/2-4	Order No.: B 1/50A 100/1-16 200/2-8	Order No.: B 1.1/00B 250/1-6 500/2-3	Order No.: B 1.1/50B 250/1-10 500/2-5	Order No.: B 1.1/51B 320/1-6	Order No.: B 1.3/00C 160/1-6/1,5 320/2-3/0,75	Order No.: B 1.3/50C 100/1-10/2,5 200/2-5/1,25	Order No.: B 1.3/51C 125/1-8/2 250/2-4/1	
1	1	Stator 230/400 V 220/380 V	1 Stator AA 03 55 10560 G4001	1 Stator AA 03 55 10560 G2001	1 Stator AA 03 55 10560 G2201	1 Stator AA 03 55 10560 G2001	1 Stator AA 03 55 10630 G2801	1 Stator AA 03 55 10630 G2801	1 Stator AA 03 55 10630 G2801	1 Stator AA 03 55 10630 G2801	
2	1	Stator screw	1 Stator screw M6x12 AA 03 83 00417 06012								
3	1	Rotor complete	See spare part list AA – lifting hoist section 02: clutch - brake								

Electric chain hoists 400 Volts, 3 phases ~ version 2 – 4.2
spare part list AA - lifting gear section 03: motor section

No:	Number	Designation	Order No.: B 2/00D 250/1-12 500/2-6	Order No.: B 2/50D 250/1-16 500/2-8	Order No.: B 2/51D 125/1-16/4	Order No.: B 2/52D 125/1-24/6	Order No.: B 2/53D 150/1-24 300/2-12	Order No.: B 3/00G 250/1-8/2 500/2-4/1	Order No.: B 4/00H 500/1-10 1000/2-5	Order No.: B 4.1/00J 1000/1-5 2000/2-2,5	Order No.: B 4.2/00M 1000/1-10 2000/2-5
1	1	Stator 230/400 V 220/380 V	1 Stator AA 03 55 10710 G4001	1 Stator AA 03 55 10710 G2001	1 Stator AA 03 55 10710 G2801	1 Stator AA 03 55 10710 G2001	1 Stator AA 03 55 10710 G2801	1 Stator AA 03 55 10710 G2801	1 Stator AA 03 55 10710 G4001	1 Stator AA 03 55 10710 G4001	1 Stator AA 03 55 10800 G2001
2	1	Stator screw	Stator screw M6x12 AA 03 83 00417 06012								
3	1	Rotor complete	See spare part list AA – lifting hoist section 02: clutch – brake								

Electric chain hoists 400 Volts, 3 phases ~ version 5 – 7.2
spare part list AA - lifting gear section 03: motor section

No:	Number	Designation	Order No.: B 5/00I 500/1-10/2,5 1000/2-5/1,25	Order No.: B 5/50I 250/1-16/4	Order No.: B 5.1/00K 1000/1-5/1,25 2000/2-2,5/0,6	Order No.: B 6/00L 1000/1-8 2000/2-4	Order No.: B 6/51L 1000/1-16 2000/2-8	Order No.: B 6.1/00P 1600/1-10 3200/2-5	Order No.: B 7/00O 1000/1-6/1,5 2000/2-3/0,75	Order No.: B 7.1/00N 1600/1-6/1,5 3200/2-3/0,75	Order No.: B 7.2/00T 1000/1-10/2,5 2000/2-5/1,25
1	1	Stator 230/400 V 220/380 V	1 Stator AA 03 1 55 10800 G2801	1 Stator AA 03 1 55 10800 G4001	1 Stator AA 03 1 55 10900 L2001	1 Stator AA 03 1 55 10900 L2001	1 Stator AA 03 1 55 10900 L2001	1 Stator AA 03 1 55 10900 L2801	1 Stator AA 03 1 55 10900 L2801	1 Stator AA 03 1 55 10900 L2801	1 Stator AA 03 1 55 10900 L2801
2	1	Stator screw	Stator screw M6x12 AA 03 83 00417 06012								
3	1	Rotor complete	See spare part list AA – lifting hoist section 02: clutch - brake								

Electric chain hoists 400 Volts, 3 phases ~ version 8.1 – 9.1
spare part list AA - lifting gear section 03: motor section

No:	Number	Designation	Order No.: B 8.1/00R 2500/1-8 5000/2-4	Order No.: B 8.2/50U 2500/1-4 5000/2-2	Order No.: B 8.1/52R 3200/1-7 6300/2-3,5	Order No.: B 9.1/00S 2500/1-8/2,5 5000/2-4/1,25 rudepass	Order No.: B 9.1 2500/1-8/2,5 5000/2-4/1,25 finepass	
1	1	Stator 400 V	1 Stator AA 01 55 10900 L2001	1 Stator AA 01 55 10900 L4001	1 Stator AA 01 55 10900 L2001	1 Stator AA 03 1 55 10801 G6001	1 Stator AA 03 1 55 10801 G6001	
2	1	Stator screw	Stator screw M6x16 AA 03 1 83 00417 06016					-
3	1	Rotor complete	See spare part list AA – lifting hoist section 02: clutch - brake					

Electric chain hoists 230 V, 1 phase ~ version 1AK – 5.1AK
spare part list AA – lifting gear section 03: motor section

No:	Number	Designation	Order No.: B1AK/01A 60/1-16 120/2-8	Order No.: B1.1AK/01B 150/1-6 300/2-3	Order No.: B1.1AK/02B 80/1-6 160/2-3	Order No.: B2AK/01D 125/1-24 250/2-12	Order No.: B2AK/02D 150/1-16 300/2-8	Order No.: B 3AK/01G 250/1-8 500/2-4	Order No.: B5AK/52 250/1-16/5	Order No.: B 5AK/01I 500/1-10 1000/2-5	Order No.: B5.1AK/01K 1000/1-10 2000/2-5
1	1	Stator	1 Stator AA 03 55 30560 G2010	1 Stator AA 03 55 30560 G2010	1 Stator AA 03 55 30710 G2010	1 Stator AA 03 55 30710 G2010	1 Stator AA 03 55 40801 0G260	1 Stator AA 03 55 40801 0G260	1 Stator AA 03 55 40801 0G260	1 Stator AA 03 55 30800 G2010	1 Stator AA 03 55 30800 G2010
2	1	Stator screw	Stator screw M6x12 AA 03 83 00417 06012								
3	1	Rotor complete	See spare part list AA – lifting hoist section 02: clutch - brake								

Example for order: AA 03 55 10560 G2001 Stator complete for 400 V, 50 Hz power supply version 1

Spare part list AA – lifting gear section 04: gear section

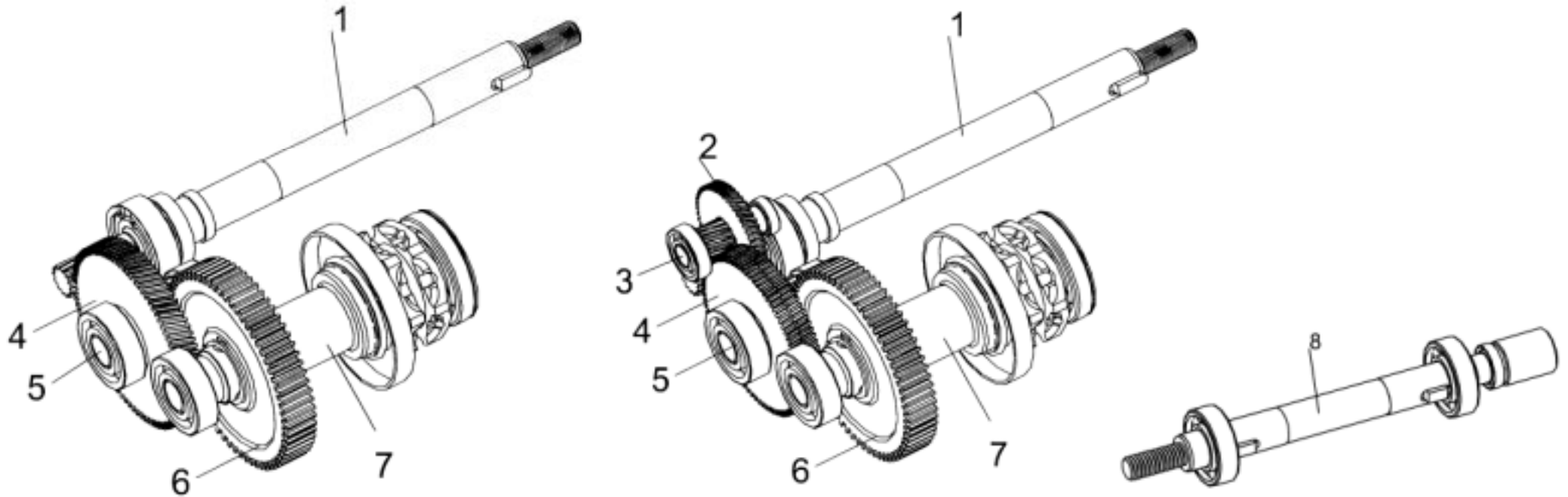
2- gear steps for version

1/00A	2/00D	4/00H
1/50A	2/50D	5/50I
1AK/01A	2/51D	5AK/52I
	2/52D	
	2/53D	
	2AK/01D	
	2AK/02D	

3- gear steps for version

1.1/00B	3/00G	6/00L	8.1/00R
1.1/50B	4.1/00J	6/51L	8.2/50U
1.1/51B	4.2/00M	6.1/00P	8.1/52R
1.3/00C	5/00I	7/00O	9.1/00S
1.3/50C	5.1/00K	7.1/00N	
1.3/51C	3AK/01G	7.1/00T	
1.1AK/01B	5AK/01I		
1.1AK/02B	5.1AK/01K		

only valid for motor shaft of the version 9.1
slow speed motor



Nr. 1 **Motor pinion shaft complete** consists from: motor pinion shaft, feather key, shaft seal, roller bearing into the hoist body, slotted pan head screw for roller bearing (only for version 1,1,1)

Nr. 2 **Wheel II complete** consists from: wheel II, feather key—only for gear with 3 steps (B1.1, 1.1AK, 1.3, 3, 3AK, 4.1, 4.2, 5, 5AK, 5.1, 6, 6.1, 7, 7.1, 7.2, 8.1, 9.1)

Nr. 3 **Pinion shaft III complete** consists from: pinion shaft III, both roller bearings, feather key—only for gear with 3 steps (B1.1, 1.1AK, 1.3, 3, 3AK, 4.1, 4.2, 5, 5AK, 5.1, 6, 6.1, 7, 7.1, 7.2, 8.1, 9.1)

Nr. 4 **Wheel IV complete** consists from: wheel IV, feather key

Nr. 5 **Pinion shaft V complete** consists from: Pinion shaft V, both roller bearings, feather key

Nr. 6 **Wheel VI complete** consists from: wheel VI, feather key

Nr. 7 **Sprocket wheel complete** consists from: sprocket wheel, both roller bearings, feather key, shaft seal, cap

If the sprocket wheel is going to be changed we recommend to change chain guide and hold down too (spare part list AA lifting gear section 01: hoist body part No. 10)

No. 8 **Motor shaft complete** consists from: motor shaft, connector between motor shaft (slow speed motor) and motor pinion shaft, feather keys, shaft seal, roller bearing for the gear cover, roller bearing in the slow speed motor

If geared parts are going to be changed the corresponding wheel has to be changed as well.

Electric chain hoists 400 V, 3 phases ~ version 2 – 4.2

Spare part list AA - Lifting gear section 04: Gear section

No:	Number	Designation	Order- No: B 2/00D 250/1-12 500/2-6	Order- No: B 2/50D 250/1-16 500/2-8	Order- No: B 2/51D 125/1-16/4	Order- No: B 2/52D 125/1-24/6	Order- No: B 2/53D 150/1-24 300/2-12	Order- No: B 3/00G 250/1-8/2 500/2-4/1	Order- No: B 4/00H 500/1-10 1000/2-5	Order- No: B 4.1/00J 1000/1-5 2000/2-2.5	Order- No: B4.2/00M 1000/1-10 2000/2-5
1	1	Motor pinion shaft complete consists from:				AA 04 01 2 00D 024/1 1 Motor pinion shaft AA 04 01 0 00D 024/1 1 Feather key AB6x6x16,5 AA 04 23 AB060 60165 1 Shaftseal AA 04 64 10022 03507 1 Roller bearing AA 04 96 06004 00000 1 Retaining ring AA 04 64 00472 00042				AA 04 01 2 00J 024/1 1 Motor pinion shaft AA 04 01 0 00D 024/1 1 Feather key AB6x6x16,5 AA 04 23 AB060 60165 1 Shaftseal AA 04 64 10022 03507 1 Roller bearing AA 04 96 61904 00000 1 Retaining ring AA 04 64 00472 00037	AA 04 01 2 00M 024/1 1 Motor pinion shaft AA 04 01 0 00D 024/1 1 Feather key AB6x6x16,5 AA 04 23 AB060 60165 1 Shaftseal AA 04 64 10022 03507 1 Roller bearing AA 04 96 61904 00000 1 Retaining ring AA 04 64 00472 00037
2	1	Wheel II complete consists from:						AA 04 01 2 00G 012/1 1 Wheel II AA 04 01 0 00G 012/1 1 Feather key A5x5x10 AA 04 23 A0505 00100			AA 04 01 2 00J 012/0 1 Wheel II AA 04 01 0 00J 012/0 1 Feather key A5x5x16 AA 04 23 A0505 00160
3	1	Pinion shaft III complete consists from:						AA 04 01 2 00G 011/1 1 Pinion shaft III AA 04 01 0 00G 011/1 1 Roller bearing AA 04 96 00607 00000 1 Roller bearing AA 04 96 06001 00000 1 Feather key A5x5x10 AA 04 23 A0505 00100			AA 04 01 2 00J 011/0 1 Pinion shaft III AA 04 01 0 00J 011/0 2 Roller bearing AA 04 96 61900 00000 1 Roller bearing AA 04 96 06203 00000 1 Feather key A5x5x16 AA 04 23 A0505 00160
4	1	Wheel IV complete consists from:	AA 04 01 2 00D 027/1 1 Wheel IV AA 04 01 0 00D 027/1 1 Feather key AB6x6x14,5 AA 04 23 AB060 60145	AA 04 01 2 00H 027/1 1 Wheel IV AA 04 01 0 00H 027/1 2 Feather keys AB6x6x13 AA 04 23 AB060 60130	AA 04 01 2 00B 027/0 1 Wheel IV AA 04 01 0 00B 027/0 1 Feather key A5x5x12 AA 04 23 A0505 00120	AA 04 01 2 00D 027/1 1 Wheel IV AA 04 01 0 00D 027/1 1 Feather key AB6x6x14,5 AA 04 23 AB060 60145	AA 04 01 2 00G 027/1 1 Wheel IV AA 04 01 0 00G 027/1 1 Feather key AB6x6x14,5 AA 04 23 AB060 60145	AA 04 01 2 00H 027/1 1 Wheel IV AA 04 01 0 00H 027/1 2 Feather keys AB6x6x13 AA 04 23 AB060 60130		AA 04 01 2 00J 027/0 1 Wheel IV AA 04 01 0 00J 027/0 1 Feather key AB6x6x16,5 AA 04 23 AB060 60165	
5	1	Pinion shaft V complete consists from:	AA 04 01 2 00D 025/0 1 Pinion shaft V AA 04 01 0 00D 025/0 2 Roller bearing AA 04 96 06203 00000 1 Feather key AB6x6x14,5 AA 04 23 AB060 60145	AA 04 01 2 50D 025/0 1 Pinion shaft V AA 04 01 0 00H 025/0 2 Roller bearing AA 04 96 06203 00000 2 Feather keys AB6x6x13 AA 04 23 AB060 60130 1 Shimring AA 04 70 00988 17010		AA 04 01 2 00D 025/0 1 Pinion shaft V AA 04 01 0 00D 025/0 2 Roller bearing AA 04 96 06203 00000 1 Feather key AB6x6x14,5 AA 04 23 AB060 60145		AA 04 01 2 00H 025/0 1 Pinion shaft V AA 04 01 0 00H 025/0 1 Taper roller bearing AA 04 96 30203 00000 1 Roller bearing AA 04 96 06203 00000 2 Feather keys AB6x6x13 AA 04 23 AB060 60130		AA 04 01 2 00J 025/0 1 Pinion shaft V AA 04 01 0 00J 025/0 1 Taper roller bearing AA 04 96 30203 00000 1 Roller bearing AA 04 96 06203 00000 1 Feather key AB6x6x16,5 AA 04 23 AB060 60165	
6	1	Wheel VI complete consists from:				AA 04 01 2 00D 028/0 1 Wheel VI AA 04 01 0 00D 028/0 2 Feather keys AB8x7x20 AA 04 23 AB080 70200			AA 04 01 2 00H 028/0 1 Wheel VI AA 04 01 0 00H 028/0 2 Feather keys AB8x7x23 AA 04 23 AB080 70230		AA 04 01 2 00J 028/0 1 Wheel VI AA 04 01 0 00J 028/0 2 Feather keys AB8x7x34 AA 04 23 AB080 70340
7	1	Sprocket wheel complete consists from:				AA 04 01 2 00D 026/0 1 Sprocketwheel with 1 Shaftseal AA 04 01 0 00D 026/0 AA 04 64 10045 08010 2 Feather keys AB8x7x20 AA 04 23 AB080 70200 1 Roller bearing AA 04 96 16006 00000 1 Roller bearing AA 04 96 06203 00000 1 Cap AA 04 01 0 00D 037/0 1 Retaining ring AA 04 64 000471 00028		AA 04 01 2 00H 026/1 1 Sprocketwheel with 1 Shaftseal AA 04 01 0 00H 026/1 AA 04 64 10045 08010 2 Feather keys AB8x7x23 AA 04 23 AB080 70230 1 Roller bearing AA 04 96 16006 00000 1 Roller bearing AA 04 96 06203 00000 1 Cap AA 04 01 0 00D 037/0 1 Retaining ring AA 04 64 000471 00028		AA 04 01 2 00J 026/1 1 Sprocketwheel with 1 Shaftseal AA 04 01 0 00J 026/1 AA 04 64 10045 08010 2 Feather keys AB 8x7x34 AA 04 23 AB080 70340 1 Roller bearing AA 04 96 16006 00000 1 Roller bearing AA 04 96 06203 00000 1 Cap AA 04 01 0 00D 037/0 1 Retaining ring AA 04 64 000471 00028	

Electric chain hoists 400 V, 3 phases ~ version 5 – 7.2

Spare part list AA - Lifting gear section 04: Gear section

No:	Number	Designation	Order- No: B 5/001 500/1-10/2.5 1000/2-5/1,2.5	Order- No: B 5/501 250/1-16/4	Order- No: B5.1/00K 1000/1-5/1,2.5 2000/2-2.5,0.6	Order- No: B 6/00L 1000/1-8 2000/2-4	Order- No: B 6/51L 1000/1-16 2000/2-8	Order- No: B6.1/00P 1600/1-10 3200/2-5	Order- No: B 7/00O 1000/1-6/1.5 2000/2-3,0,7.5	Order- No: B7.1/00N 1600/1-6/1.5 3200/2-3,0,7.5	Order- No: B7.2/00T 1000/1-10/2.5 2000/2-5/1,2.5
1	1	Motor pinion shaft complete consists from:	AA 04 01 2 00I 024/1 1 Motor pinion shaft AA 04 01 0 00I 024/1 1 Feather key AB6x6x16.5 AA 04 23 AB060 60165 1 Shaftseal AA 04 64 10022 03507 1 Roller bearing AA 04 96 06004 00000 1 Retaining ring AA 04 64 00472 00042	AA 04 01 2 50I 024/1 1 Motor pinion shaft AA 04 01 0 50I 024/1 1 Feather key AB6x6x16.5 AA 04 23 AB060 60165 1 Shaftseal AA 04 64 10022 03507 1 Roller bearing AA 04 96 06004 00000 1 Retaining ring AA 04 64 00472 00042	AA 04 01 2 00K 024/0 1 Motor pinion shaft AA 04 01 0 00K 024/0 1 Feather key AB6x6x16.5 AA 04 23 AB060 60165 1 Shaftseal AA 04 64 10030 04007 1 Roller bearing AA 04 96 61904 00000 1 Retaining ring AA 04 64 00472 00037	AA 04 01 2 00L 024/0 1 Motor pinion shaft AA 04 01 0 00L 024/0 1 Feather key AB8x7x21 AA 04 23 AB080 70210 1 Shaftseal AA 04 64 10030 04007 1 Roller bearing AA 04 96 RNU00 00204 1 Retaining ring AA 04 64 00472 00047	AA 04 01 2 00P 024/0 1 Motor pinion shaft AA 04 01 0 00P 024/0 1 Feather key AB8x7x21 AA 04 23 AB080 70210 1 Shaftseal AA 04 64 10030 04007 1 Roller bearing AA 04 96 RNU00 00204 1 Retaining ring AA 04 64 00472 00047	AA 04 01 2 00O 024/1 1 Motor pinion shaft AA 04 01 0 00O 024/1 1 Feather key AB8x7x21 AA 04 23 AB080 70210 1 Shaftseal AA 04 64 10030 04007 1 Roller bearing AA 04 96 RNU00 00204 1 Retaining ring AA 04 64 00472 00047	AA 04 01 2 00P 024/0 1 Motor pinion shaft AA 04 01 0 00P 024/0 1 Feather key AB8x7x21 AA 04 23 AB080 70210 1 Shaftseal AA 04 64 10030 04007 1 Roller bearing AA 04 96 RNU00 00204 1 Retaining ring AA 04 64 00472 00047	AA 04 01 2 00P 024/0 1 Motor pinion shaft AA 04 01 0 00P 024/0 1 Feather key AB8x7x21 AA 04 23 AB080 70210 1 Shaftseal AA 04 64 10030 04007 1 Roller bearing AA 04 96 RNU00 00204 1 Retaining ring AA 04 64 00472 00047	
2	1	Wheel II complete consists from:	AA 04 01 2 00G 012/1 1 Wheel II AA 04 01 0 00G 012/1 1 Feather key A5x5x10 AA 04 23 A0505 00100	AA 04 01 2 00K 012/0 1 Wheel II AA 04 01 0 00K 012/0 1 Feather key A5x5x16 AA 04 23 A0505 00160	AA 04 01 2 00L 012/0 1 Wheel II AA 04 01 0 00L 012/0 1 Feather key A8x7x18 AA 04 23 A0807 00180	AA 04 01 2 00P 012/0 1 Wheel II AA 04 01 0 00P 012/0 1 Feather key A8x7x18 AA 04 23 A0807 00180	AA 04 01 2 00O 012/0 1 Wheel II AA 04 01 0 00O 012/0 1 Feather key A8x7x18 AA 04 23 A0807 00180	AA 04 01 2 00P 012/0 1 Wheel II AA 04 01 0 00P 012/0 1 Feather key A8x7x18 AA 04 23 A0807 00180	AA 04 01 2 00O 012/0 1 Wheel II AA 04 01 0 00O 012/0 1 Feather key A8x7x18 AA 04 23 A0807 00180	AA 04 01 2 00P 012/0 1 Wheel II AA 04 01 0 00P 012/0 1 Feather key A8x7x18 AA 04 23 A0807 00180	
3	1	Pinion shaft III complete consists from:	AA 04 01 2 00I 011/1 1 Pinion shaft III AA 04 01 0 00I 011/1 2 Roller bearing AA 04 96 06007 00000 1 Roller bearing AA 04 96 06003 00000 2 Feather key A5x5x10 AA 04 23 A0505 00100	AA 04 01 2 00K 011/0 1 Pinion shaft III AA 04 01 0 00K 011/0 1 Intermediate bush AA 04 01 0 00K 099/0 2 Roller bearing AA 04 96 61900 00000 1 Roller bearing AA 04 96 06203 00000 1 Feather key A5x5x16 AA 04 23 A0505 00160	AA 04 01 2 00L 011/0 1 Pinion shaft III AA 04 01 0 00L 011/0 2 Needle bearing AA 04 96 RNA00 04902 1 Feather key A8x7x18 AA 04 23 A0807 00180	AA 04 01 2 51L 011/0 1 Pinion shaft III AA 04 01 0 00L 011/0 2 Roller bearing AA 04 96 06001 00000 AA 04 96 06203 00000 1 Feather key A8x7x18 AA 04 23 A0807 00180	AA 04 01 2 00P 011/0 1 Pinion shaft III AA 04 01 0 00P 011/0 2 Roller bearing AA 04 96 06001 00000 1 Roller bearing AA 04 96 06203 00000 1 Feather key A8x7x18 AA 04 23 A0807 00180	AA 04 01 2 00O 011/0 1 Pinion shaft III AA 04 01 0 00O 011/0 2 Roller bearing AA 04 96 06001 00000 1 Roller bearing AA 04 96 06203 00000 1 Feather key A8x7x18 AA 04 23 A0807 00180	AA 04 01 2 00P 011/0 1 Pinion shaft III AA 04 01 0 00P 011/0 2 Roller bearing AA 04 96 06001 00000 1 Roller bearing AA 04 96 06203 00000 1 Feather key A8x7x18 AA 04 23 A0807 00180		
4	1	Wheel IV complete consists from:	AA 04 01 2 00I 027/1 1 Wheel IV AA 04 01 0 00I 027/1 2 Feather keys AB6x6x13 AA 04 23 AB060 60130	AA 04 01 2 00H 027/1 1 Wheel IV AA 04 01 0 00H 027/1 2 Feather keys AB6x6x13 AA 04 23 AB060 60130	AA 04 01 2 00K 027/0 1 Wheel IV AA 04 01 0 00K 027/0 1 Feather key AB6x6x16.5 AA 04 23 AB060 60165	AA 04 01 2 00L 027/0 1 Wheel IV AA 04 01 0 00L 027/0 2 Feather keys AB10x8x20 AA 04 23 AB100 80200	AA 04 01 2 00P 027/0 1 Wheel IV AA 04 01 0 00P 027/0 2 Feather keys AB10x8x20 AA 04 23 AB100 80200	AA 04 01 2 00O 027/0 1 Wheel IV AA 04 01 0 00O 027/0 2 Feather keys AB10x8x20 AA 04 23 AB100 80200	AA 04 01 2 00P 027/0 1 Wheel IV AA 04 01 0 00P 027/0 2 Feather keys AB10x8x20 AA 04 23 AB100 80200		
5	1	Pinion shaft V complete consists from:	AA 04 01 2 00H 025/0 1 Pinion shaft V AA 04 01 0 00H 025/0 1 Taper roller bearing AA 04 96 30203 00000 1 Roller bearing AA 04 96 06203 00000 2 Feather keys AB6x6x13 AA 04 23 AB060 60130 1 Shim ring AA 04 23 AB060 60130	AA 04 01 2 50D 025/0 1 Pinion shaft V AA 04 01 0 00H 025/0 2 Roller bearing AA 04 96 06203 00000 2 Feather keys AB6x6x13 AA 04 23 AB060 60130 1 Shim ring AA 04 70 00988 17010	AA 04 01 2 00J 025/0 1 Pinion shaft V AA 04 01 0 00J 025/0 1 Taper roller bearing AA 04 96 NI000 00305 1 Roller bearing AA 04 96 06305 00000 2 Feather keys AB10x8x20 AA 04 23 AB100 80200	AA 04 01 2 00L 025/0 1 Pinion shaft V AA 04 01 0 00L 025/0 1 Cylindrical roller bearing AA 04 96 NI000 00305 1 Roller bearing AA 04 96 06305 00000 2 Feather keys AB10x8x20 AA 04 23 AB100 80200	AA 04 01 2 00P 025/0 1 Pinion shaft V AA 04 01 0 00P 025/0 1 Cylindrical roller bearing AA 04 96 NI000 00305 1 Roller bearing AA 04 96 06305 00000 2 Feather keys AB10x8x20 AA 04 23 AB100 80200	AA 04 01 2 00L 025/0 1 Pinion shaft V AA 04 01 0 00L 025/0 1 Cylindrical roller bearing AA 04 96 NI000 00305 1 Roller bearing AA 04 96 06305 00000 2 Feather keys AB10x8x20 AA 04 23 AB100 80200	AA 04 01 2 00P 025/0 1 Pinion shaft V AA 04 01 0 00P 025/0 1 Cylindrical roller bearing AA 04 96 NI000 00305 1 Roller bearing AA 04 96 06305 00000 2 Feather keys AB10x8x20 AA 04 23 AB100 80200		
6	1	Wheel VI complete consists from:	AA 04 01 2 00H 028/0 1 Wheel VI AA 04 01 0 00H 028/0 2 Feather keys AB8x7x23 AA 04 23 AB080 70230	AA 04 01 2 52D 028/0 1 Wheel VI AA 04 01 0 52D 028/0 2 Feather keys AB8x7x20 AA 04 23 AB080 70200	AA 04 01 2 00J 028/0 1 Wheel VI AA 04 01 0 00J 028/0 2 Feather keys AB8x7x34 AA 04 23 AB080 70340	AA 04 01 2 00L 028/0 1 Wheel VI AA 04 01 0 00L 028/0 2 Feather keys B14x9x35 AA 04 23 B1409 00350	AA 04 01 2 00P 028/0 1 Wheel VI AA 04 01 0 00P 028/0 2 Feather keys B14x9x45 AA 04 23 B1409 00450	AA 04 01 2 00L 028/0 1 Wheel VI AA 04 01 0 00L 028/0 2 Feather keys B14x9x35 AA 04 23 B1409 00350	AA 04 01 2 00P 028/0 1 Wheel VI AA 04 01 0 00P 028/0 2 Feather keys B14x9x45 AA 04 23 B1409 00450		
7	1	Sprocket wheel complete consists from:	AA 04 01 2 00H 026/1 1 Sprocketwheel with 1 Shaftseal AA 04 01 0 00H 026/1 AA 04 64 10045 08010 2 Feather keys AB8x7x23 AA 04 23 AB080 70230 1 Roller bearing AA 04 96 16006 00000 1 Roller bearing AA 04 96 06203 00000 1 Cap AA 04 01 0 00D 037/0 1 Retaining ring AA 04 64 00047 00028	AA 04 01 2 00D 026/0 1 Sprocketwheel with 1 Shaftseal AA 04 01 0 00D 026/0 AA 04 64 10045 08010 2 Feather keys AB8x7x20 AA 04 23 AB080 70200 1 Roller bearing AA 04 96 16006 00000 1 Roller bearing AA 04 96 06203 00000 1 Cap AA 04 01 0 00D 037/0 1 Retaining ring AA 04 64 00047 00028	AA 04 01 2 00J 026/1 1 Sprocketwheel with 1 Shaftseal AA 04 01 0 00J 026/1 AA 04 64 10045 08010 2 Feather keys AB 8x7x34 AA 04 23 AB080 70340 1 Roller bearing AA 04 96 16006 00000 1 Roller bearing AA 04 96 06203 00000 1 Cap AA 04 01 0 00D 037/0 1 Retaining ring AA 04 64 00047 00028	AA 04 01 2 00L 026/0 1 Sprocketwheel with 1 Shaftseal AA 04 01 0 00L 026/0 AA 04 64 10065 10010 2 Feather keys B14x9x35 AA 04 23 B1409 00350 2 Roller bearing AA 04 96 06305 00000 1 Cap AA 04 01 0 00L 037/0 1 Retaining ring AA 04 64 00047 00045	AA 04 01 2 00P 026/0 1 Sprocketwheel with 1 Shaftseal AA 04 01 0 00P 026/0 AA 04 64 10065 10010 2 Feather keys B14x9x45 AA 04 23 B1409 00450 2 Roller bearing AA 04 96 06305 00000 1 Cap AA 04 01 0 00L 037/0 1 Retaining ring AA 04 64 00047 00045	AA 04 01 2 00L 026/0 1 Sprocketwheel with 1 Shaftseal AA 04 01 0 00L 026/0 AA 04 64 10065 10010 2 Feather keys B14x9x35 AA 04 23 B1409 00350 2 Roller bearing AA 04 96 06305 00000 1 Cap AA 04 01 0 00L 037/0 1 Retaining ring AA 04 64 00047 00045	AA 04 01 2 00P 026/0 1 Sprocketwheel with 1 Shaftseal AA 04 01 0 00P 026/0 AA 04 64 10065 10010 2 Feather keys B14x9x45 AA 04 23 B1409 00450 2 Roller bearing AA 04 96 06305 00000 1 Cap AA 04 01 0 00L 037/0 1 Retaining ring AA 04 64 00047 00045		

Electric chain hoists 400 V, 3 phases ~ version 8.1 – 9.1

Spare part list AA - Lifting gear section 04: Gear section

No:	Number	Designation	Order- No: B8.1/00R 2500/1-8 5000/2-4	Order- No: B8.2/50U 2500/1-4 5000/2-2	Order- No: B8.1/52R 3200/1-7 6300/2-3,5	Order- No: B9.1/00S 2500/1-8/2.5 5000/2-4/1,25
1	1	Motor pinion shaft complete consists from:	AA 04 01 2 00R 024/1 1 Motor pinion shaft AA 04 01 0 00R 024/1 1 Feather key AB8x7x21 AA 04 23 AB080 70210 1 Shaftseal AA 04 64 10030 04007 1 Roller bearing AA 04 96 RNU00 00204 1 Retaining ring AA 04 64 00472 00047		AA 04 01 2 52R 024/0 1 Motor pinion shaft AA 04 01 0 52R 024/0 1 Feather key AB8x7x21 AA 04 23 AB080 70210 1 Shaftseal AA 04 64 10030 04007 1 Roller bearing AA 04 96 R1000 00204 1 Retaining ring AA 04 64 00472 00047	AA 04 01 2 00S 024/0 1 Motor pinion shaft AA 04 01 0 00S 024/0 1 Feather key AB8x7x21 AA 04 23 AB080 70210 1 Shaftseal AA 04 64 10030 04007 1 Roller bearing AA 04 96 RNU00 00204 1 Retaining ring AA 04 64 00472 00047
2	1	Wheel II complete consists from:	AA 04 01 2 00R 012/1 1 Wheel II AA 04 01 0 00R 012/1 2 Feather keys AB8x7x21 AA 04 23 AB080 70210		AA 04 01 2 52R 012/0 1 Wheel II AA 04 01 0 00R 012/0 2 Feather keys B10x8x19 AA 04 23 B1008 00190	AA 04 01 2 00R 012/1 1 Wheel II AA 04 01 0 00R 012/1 2 Feather keys AB8x7x21 AA 04 23 AB080 70210
3	1	Pinion shaft III complete consists from:	AA 04 01 2 00R 011/0 1 Pinion shaft III AA 04 01 0 00R 011/0 1 Roller bearing AA 04 96 06204 00000 1 Cylindrical roller bearing AA 04 96 N1000 02204 2 Feather keys AB8x7x21 AA 04 23 AB080 70210		AA 04 01 2 52R 011/0 1 Pinion shaft III AA 04 01 0 52R 011/0 1 Roller bearing AA 04 96 06204 00000 1 Cylindrical roller bearing AA 04 96 N1000 02204 2 Feather keys B10x8x19 AA 04 23 B1008 00190	AA 04 01 2 00R 011/0 1 Pinion shaft III AA 04 01 0 00R 011/0 1 Roller bearing AA 04 96 06204 00000 1 Cylindrical roller bearing AA 04 96 N1000 02204 2 Feather keys AB8x7x21 AA 04 23 AB080 70210
4	1	Wheel IV complete consists from:	AA 04 01 2 00R 027/0 1 Wheel IV AA 04 01 0 00R 027/0 2 Feather keys AB10x8x28 AA 04 23 AB100 80280		AA 04 01 2 52R 027/0 1 Wheel IV AA 04 01 0 52R 027/0 2 Feather keys B14x9x16 AA 04 23 B1409 00160	AA 04 01 2 00R 027/0 1 Wheel IV AA 04 01 0 00R 027/0 2 Feather keys AB10x8x28 AA 04 23 AB100 80280
5	1	Pinion shaft V complete consists from:	AA 04 01 2 00R 025/0 1 Pinion shaft V AA 04 01 0 00R 025/0 2 Cylindrical roller bearing AA 04 96 N1000 00305 2 Feather keys AB10x8x28 AA 04 23 AB100 80280		AA 04 01 2 52R 025/0 1 Pinion shaft V AA 04 01 0 52R 025/0 1 Cylindrical roller bearing AA 04 96 N1000 00206 1 Roller bearing AA 04 96 06207 00000 2 Feather keys B14x9x16 AA 04 23 B1409 00160	AA 04 01 2 00R 025/0 1 Pinion shaft V AA 04 01 0 00R 025/0 2 Cylindrical roller bearing AA 04 96 N1000 00305 2 Feather keys AB10x8x28 AA 04 23 AB100 80280
6	1	Wheel VI complete consists from:	AA 04 01 2 00R 028/0 1 Wheel VI AA 04 01 0 00R 028/0 2 Feather keys AB16x10x49 AA 04 23 AB160 10490		AA 04 01 2 52R 028/0 1 Wheel VI AA 04 01 0 52R 028/0 2 Feather keys B18x11x38 AA 04 23 B1811 00380	AA 04 01 2 00R 028/0 1 Wheel VI AA 04 01 0 00R 028/0 2 Feather keys AB16x10x49 AA 04 23 AB160 10490
7	1	Sprocket wheel complete consists from:	AA 04 01 2 00R 026/0 1 Sprocket wheel with 1 Shaftseal AA 04 01 0 00R 026/0 AA 04 64 10085 12010 2 Feather keys AB16x10x49 AA 04 23 AB160 10490 2 Cylindrical roller bearing AA 04 96 N1000 00305 1 Cap AA 04 01 0 00L 037/0 1 Retaining ring AA 04 64 000471 00055		AA 04 01 2 52R 026/0 1 Sprocket wheel with 1 Shaftseal AA 04 01 0 52R 026/0 AA 04 64 10085 12010 2 Feather keys B18x11x38 AA 04 23 B1811 00380 1 Cylindrical roller bearing AA 04 96 N1000 00206 1 Cylindrical roller bearing AA 04 96 N1000 00305 1 Cap AA 04 01 0 00L 037/0 1 Retaining ring AA 04 64 000471 00060	AA 04 01 2 00R 026/0 1 Sprocket wheel with 1 Shaftseal AA 04 01 0 00R 026/0 AA 04 64 10085 12010 2 Feather keys AB16x10x49 AA 04 23 AB160 10490 2 Cylindrical roller bearing AA 04 96 N1000 00305 1 Cap AA 04 01 0 00L 037/0 1 Retaining ring AA 04 64 000471 00055

Example for order: **AA 04 01 2 00R 026/0** Sprocket wheel with shaft seal, feather keys, bearings, cap and retaining ring

Electric chain hoists 400 V, 3 ph ~ version 9.1

No:	Number	Designation	Order- No: B9.1/00S 2500/1-8/2.5 5000/2-4/1,25
8	1	Motor wheel complete consists from:	AA 04 01 2 00S 030/0 1 Motor shaft AA 04 01 0 00S 030/0 1 Connector with 2 feather keys AA 04 01 2 00S 007/0 2 Feather keys B8x7x14 AA 04 23 B0807 00140 1 Shaftseal AA 04 64 10020 03007 2 Roller bearing AA 04 96 06205 2RZ00

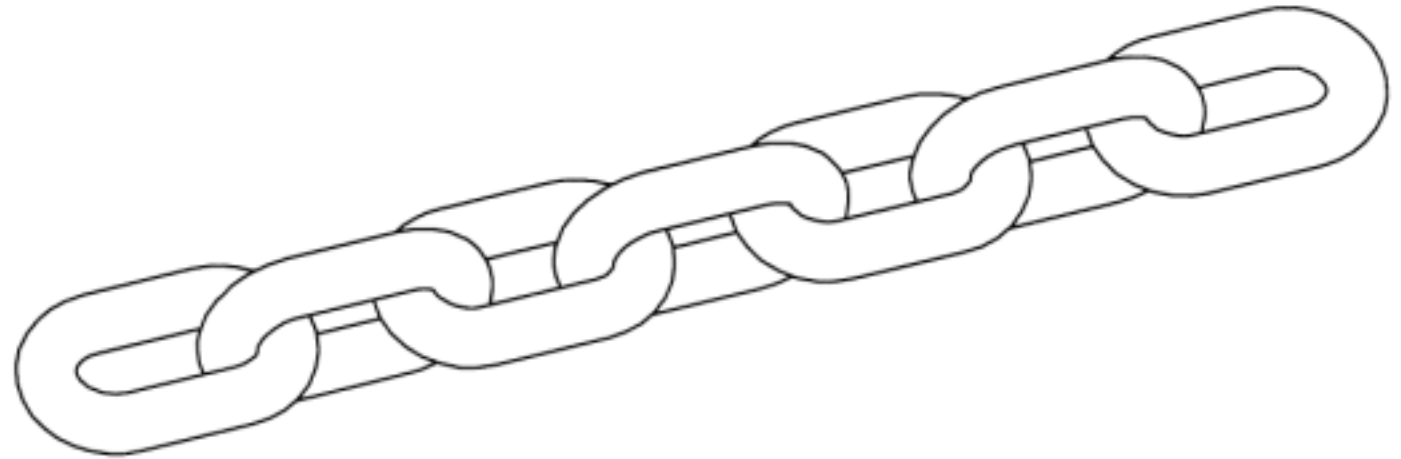
Electric chain hoists 230 V, 1 phase ~ version 1AK – 5.1AK

Spare part list AA - Lifting gear section 04: gear section

No	Number	Designation	Order- No: B1AK/01A 60/1-16 120/2-8	Order-No: B1.1AK/01 150/1-6 300/2-3	Order-No: B1.1AK/02B 80/1-6 160/2-3	Order-No: B2AK/01D 125/1-24 250/2-12	Order-No: B 2AK/02D 150/1-16 300/2-8	Order-No: B 3AK/01G 250/1-8 500/2-4	Order- No: B5AK/52I 250/1-16/5	Order- No: B 5AK/01I 500/1-10 1000/2-5	Order-No: B5.1AK/01K 1000/1-10 2000/2-5
1	1	Motor pinion shaft complete consists from:	AA 04 01 2 00A 024/0 1 Motor pinion shaft AA04 01 0 00A 024/0 2 Feather keys B5x5x7 AA04 23 B0505 00070 1 Feather key AB5x5x15.5 AA04 23 A0505 50155 1 Shaftseal AA04 64 10020 03007 1 Roller bearing AA04 96 06003 00000 Slotted pan head M5x6 AA04 72 00085 05006	AA 04 01 2 00B 024/0 1 Motor pinion shaft AA04 01 0 00B 024/0 2 Feather keys B5x5x7 AA04 23 B0505 00070 1 Feather key AB5x5x15.5 AA04 23 A0505 50155 1 Shaftseal AA04 64 10020 03007 1 Roller bearing AA04 96 06003 00000 Slotted pan head M5x6 AA04 72 00085 05006			AA 04 01 2 00D 024/1 1 Motor pinion shaft AA04 01 0 00D 024/1 1 Feather key AB6x6x16.5 AA04 23 AB060 60165 1 Shaftseal AA04 64 10022 03507 1 Roller bearing AA04 96 06004 00000 1 Retaining ring AA04 64 00472 00042		AA 04 01 2 50I 024/1 1 Motor pinion shaft AA04 01 0 50I 024/1 1 Feather key AB6x6x16.5 AA04 23 AB060 60165	AA 04 01 2 00I 024/1 1 Motor pinion shaft AA04 01 0 00I 024/1 1 Feather key AB6x6x16.5 AA04 23 AB060 60165	AA 04 01 2 00K 024/0 1 Motor pinion shaft AA04 01 0 00K 024/0 1 Feather key AB6x6x16.5 AA04 23 AB060 60165 1 Shaftseal AA04 64 10022 03507 1 Roller bearing AA04 96 61904 00000 1 Retaining ring AA04 64 00472 00037
2	1	Wheel II complete consists from:	—	AA 04 01 2 00B 012/0 1 Wheel II AA04 01 0 00B 012/0 1 Feather key A5x5x10 AA04 23 A0505 00100				AA 04 01 2 00G 012/1 1 Wheel II AA04 01 0 00G 012/1 1 Feather key A5x5x10 AA04 23 A0505 00100		AA 04 01 2 00G 012/1 1 Wheel II AA04 01 0 00G 012/1 1 Feather key A5x5x10 AA04 23 A0505 00100	AA 04 01 2 00K 012/0 1 Wheel II AA04 01 0 00K 012/0 1 Feather key A5x5x16 AA04 23 A0505 00160
3	1	Pinion shaft III complete consists from:	—	AA 04 01 2 00B 011/0 1 Pinion shaft III AA04 01 0 00B 011/0 2 Bush bearings AA04 14 20012 18010 1 Feather key A5x5x10 AA04 23 A0505 00100				AA 04 01 2 00G 011/1 1 Pinion shaft III AA04 01 0 00G 011/1 1 Roller bearing AA04 96 00607 00000 1 Roller bearing AA04 96 06001 00000 1 Feather key A5x5x10 AA04 23 A0505 00100		AA 04 01 2 00I 011/1 1 Pinion shaft III AA04 01 0 00I 011/1 2 Roller bearing AA04 96 00607 00000 1 Roller bearing AA04 96 06003 00000 2 Feather key A5x5x10 AA04 23 A0505 00100	AA 04 01 2 00K 011/0 1 Pinion shaft III AA04 01 0 00K 011/0 1 Intermediate bush AA04 01 0 00K 099/0 2 Roller bearing AA04 96 61900 00000 1 Roller bearing AA04 96 06203 00000 1 Feather key A5x5x16 AA04 23 A0505 00160
4	1	Wheel IV complete consists from:	AA 04 01 2 00A 027/0 1 Wheel IV AA04 01 0 00A 027/0 1 Feather key A5x5x10 AA04 23 A0505 00100	AA 04 01 2 00B 027/0 1 Wheel IV AA04 01 0 00B 027/0 1 Feather key A5x5x12 AA04 23 A0505 00120	AA 04 01 2 00D 027/1 1 Wheel IV AA04 01 0 00D 027/1 1 Feather key AB6x6x14.5 AA04 23 AB060 60145	AA 04 01 2 00H 027/1 1 Wheel IV AA04 01 0 00H 027/1 2 Feather keys AB6x6x13 AA04 23 AB060 60130	AA 04 01 2 00G 027/1 1 Wheel IV AA04 01 0 00G 027/1 1 Feather key AB6x6x14.5 AA04 23 AB060 60145	AA 04 01 2 00H 027/1 1 Wheel IV AA04 01 0 00H 027/1 2 Feather keys AB6x6x13 AA04 23 AB060 60130	AA 04 01 2 00I 027/1 1 Wheel IV AA04 01 0 00I 027/1 2 Feather keys AB6x6x13 AA04 23 AB060 60130	AA 04 01 2 00K 027/0 1 Wheel IV AA04 01 0 00K 027/0 1 Feather key AB6x6x16.5 AA04 23 AB060 60165	
5	1	Pinion shaft V complete consists from:	AA 04 01 2 00A 025/0 1 Pinion shaft V AA04 01 0 00A 025/0 2 Bush bearings AA04 14 20012 18010 1 Feather key A5x5x10 AA04 23 A0505 00100	AA 04 01 2 00B 025/0 1 Pinion shaft V AA04 01 0 00B 025/0 2 Roller bearing AA04 96 06001 00000 1 Feather key A5x5x12 AA04 23 A0505 00120	AA 04 01 2 00D 025/0 1 Pinion shaft V AA04 01 0 00D 025/0 2 Roller bearing AA04 96 06203 00000 1 Feather key AB6x6x14.5 AA04 23 AB060 60145	AA 04 01 2 50D 025/0 1 Pinion shaft V AA04 01 0 00H 025/0 2 Roller bearing AA04 96 06203 00000 2 Feather keys AB6x6x13 AA04 23 AB060 60130 1 Shim ring AA04 70 00988 17010	AA 04 01 2 00D 025/0 1 Pinion shaft V AA04 01 0 00D 025/0 2 Roller bearing AA04 96 06203 00000 1 Feather key AB6x6x14.5 AA04 23 AB060 60145	AA 04 01 2 50D 025/0 1 Pinion shaft V AA04 01 0 00H 025/0 2 Roller bearing AA04 96 06203 00000 1 Feather key AB6x6x13 AA04 23 AB060 60130 1 Shim ring AA04 70 00988 17010	AA 04 01 2 00H 025/0 1 Pinion shaft V AA04 01 0 00H 025/0 1 Taper roller bearing AA04 96 30203 00000 1 Roller bearing AA04 96 06203 00000 2 Feather keys AB6x6x13 AA04 23 AB060 60130	AA 04 01 2 00J 025/0 1 Pinion shaft V AA04 01 0 00J 025/0 1 Taper roller bearing AA04 96 30203 00000 1 Roller bearing AA04 96 06203 00000 1 Feather key AB6x6x16.5 AA04 23 AB060 60165	
6	1	Wheel VI complete consists from:	AA 04 01 2 00A 028/0 1 Wheel VI AA04 01 0 00A 028/0 1 Feather key AB6x6x12 AA04 23 AB060 60120	AA 04 01 2 00B 028/0 1 Wheel VI AA04 01 0 00B 028/0 1 Feather key B6x6x18 AA04 23 B0606 00180	AA 04 01 2 00D 028/0 1 Wheel VI AA04 01 0 00D 028/0 2 Feather keys AB8x7x20 AA04 23 AB080 70200	AA 04 01 2 02D 028/0 1 Wheel VI AA04 01 0 02D 028/0 2 Feather keys AB8x7x20 AA04 23 AB080 70200	AA 04 01 2 00D 028/0 1 Wheel VI AA04 01 0 00D 028/0 2 Feather keys AB8x7x20 AA04 23 AB080 70200	AA 04 01 2 02D 028/0 1 Wheel VI AA04 01 0 02D 028/0 2 Feather keys AB8x7x20 AA04 23 AB080 70200	AA 04 01 2 00H 028/0 1 Wheel VI AA04 01 0 00H 028/0 2 Feather keys AB8x7x23 AA04 23 AB080 70230	AA 04 01 2 00J 028/0 1 Wheel VI AA04 01 0 00J 028/0 2 Feather keys AB8x7x34 AA04 23 AB080 70340	
7	1	Sprocket wheel complete consists from:	AA 04 01 2 00A 026/0 1 Sprocketwheel with 1 Shaftseal AA04 01 0 00A 026/0 AA04 64 10035 06210 1 Feather key AB6x6x12 AA04 23 AB060 60120 2 Roller bearing AA04 96 06003 00000 1 Cap AA04 01 0 00A 037/0 1 Retaining ring AA04 64 00471 00018	AA 04 01 2 00B 026/0 1 Sprocketwheel with 1 Shaftseal AA04 01 0 00B 026/0 AA04 64 10035 06210 1 Feather key B6x6x18 AA04 23 B0606 00180 2 Roller bearing AA04 96 06003 00000 1 Cap AA04 01 0 00A 037/0 1 Retaining ring AA04 64 00471 00020		AA 04 01 2 00D 026/0 1 Sprocketwheel with 1 Shaftseal AA04 01 0 00D 026/0 AA04 64 10045 08010 2 Feather keys AB8x7x20 AA04 23 AB080 70200 1 Roller bearing AA04 96 16006 00000 1 Roller bearing AA04 96 06203 00000 1 Cap AA04 01 0 00D 037/0 1 Retaining ring AA04 64 000471 00028		AA 04 01 2 00H 026/1 1 Sprocketwheel with 1 Shaftseal AA04 01 0 00H 026/1 AA04 64 10045 08010 2 Feather keys AB8x7x23 AA04 23 AB080 70230 1 Roller bearing AA04 96 16006 00000 1 Roller bearing AA04 96 06203 00000 1 Cap AA04 01 0 00D 037/0 1 Retaining ring AA04 64 000471 00028	AA 04 01 2 00J 026/1 1 Sprocketwheel with 1 Shaftseal AA04 01 0 00J 026/1 AA04 64 10045 08010 2 Feather keys AB 8x7x34 AA04 23 AB080 70340 1 Roller bearing AA04 96 16006 00000 1 Roller bearing AA04 96 06203 00000 1 Cap AA04 01 0 00D 037/0 1 Retaining ring AA04 64 000471 00028		

Example for Order: AA 04 01 2 00H 026/1 Sprocket wheel complete include feather key, shaft seal, roller bearings for version 5AK

Spare part list AA – lifting gear section 05: chain section



Version	B1 / 00A 125/1-8 250/2-4	B2 / 00D 250/1-12 500/2-6	B4 / 00H 500/1-10 1000/2-5	B6 / 00L 1000/1-8 2000/2-4	B8.1 / 00R 2500/1-8 5000/2-4	B8.1 / 52R 3200/1-7 6300/2-3,5
	B1 / 50A 100/1-6 200/2-8	B2 / 50D 250/1-16	B4.1 / 00J 1000/1-5 2000/2-2,5	B6 / 51L 1000/1-16 2000/2-8	B8.2 / 50U 250/1-4 5000/2-2	
	B1.1 / 00B 250/1-6 500/2-3	B2 / 51D 125/1-16/4	B4.2 / 00M 1000/1-10 2000/2-5	B6.1 / 00P 1600/1-10 3200/2-5	B9.1 / 00S 2500/1-8/2,5 5000/2-4/1,25	
	B1.1 / 50B 250/1-10 500/2-5	B2 / 52D 125/1-24/6	B5 / 00I 500/1-10/2,5 1000/2-5/1,25	B7 / 00O 1000/1-6/1,5 2000/2-3/0,75		
	B1.1 / 51B 320/1-6	B2 / 53D 150/1-24 300/2-12	B5.1/00K 1000/1-5/1,25 2000/2-2,5/0,6	B7.1 / 00N 1600/1-6/1,5 3200/2-3/0,75		
	B1.3 / 00C 160/1-6/1,5 320/2-3/0,75	B3 / 00G 250/1-8/2 500/2-4/1		B7.2 / 00T 1000/1-10/2,5 2000/2-5/1,25		
	B1.3 / 50C 100/1-10/2,5 200/2-5/1,25	B5 / 50I 250/1-16/4				
	B1.3/51C 125/1-8/2 250/2-4/1					
	B1AK / 01A 60/1-16 120/2-8	B2AK / 01D 125/1-24 250/2-12	B5AK / 01I 500/1-10 1000/2-5			
	B1.1AK / 01B 150/1-6 300/2-3	B2AK / 02D 150/1-16 300/2-8	B5.1AK / 01K 1000/1-5 2000/2-5			
	B1.1AK / 02B 80/1-6 160/2-3	B3AK / 01G 250/1-8 500/2-4				
		B5AK / 52I 250/1-16/5				
Chain DIN 5684 grade 80 zinc plated max. stress 210 N/mm²	4x12	5x15	7x22	9x27	11x31	11,3x31
Order- No.:	AA 05 1 47 04012 00002	AA 05 1 47 05015 00002	AA 05 1 47 07022 00002	AA 05 1 47 09027 00002	AA 05 1 47 11031 00003	AA 05 1 47 11331 00005

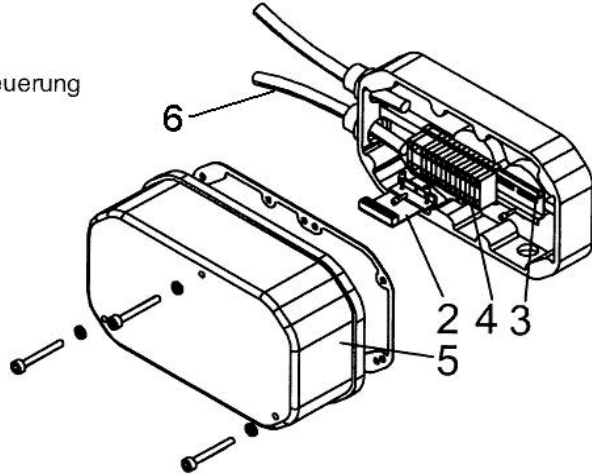
Example for order: 3 m AA 05 1 47 04012 00002 3 m chain 4x12 for version 1

If the chain is going to be changed we recommend to change the chain guide and the hold down too (spare part list AA lifting gear section 01: hoist body part No. 10)

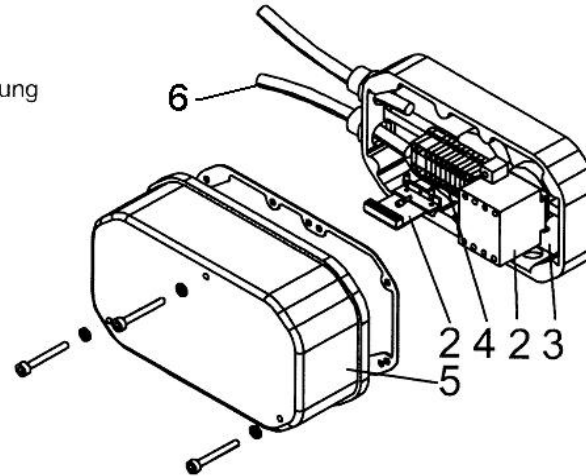
Spare part list AB – direct control for the hoist

Electric chain hoists 400 V, 3 phases ~

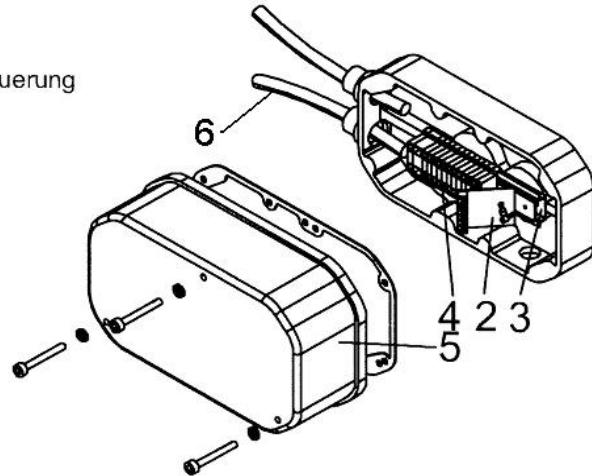
Direktsteuerung
B1/00A
B1/50A
B1.1/00B
B1.1/50B
B1.1/51B



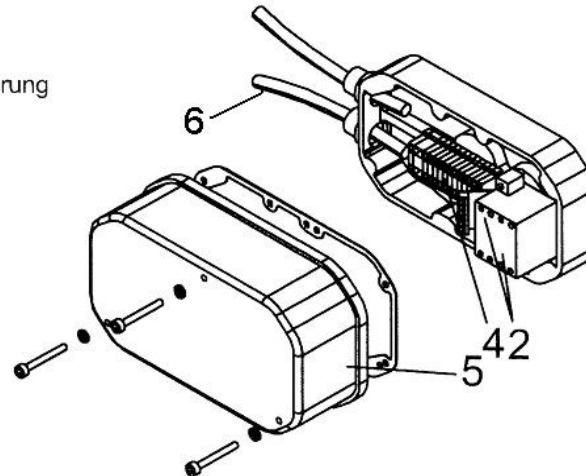
Direktsteuerung
B1.3/00C
B1.3/50C
B1.3/51C



Direktsteuerung
B2/00D
B2/50D
B2/53D
B4/00H
B4.1/00J
B4.2/00M
B6/00L
B6/51L
B6.1/00P



Direktsteuerung
B2/51D
B2/52D
B3/00G
B5/00I
B5/50I
B5.1/00K
B7/00O
B7.1/00N
B7.2/00T



- No.1 Direct control complete (without cap for gear cover)
- No.2 Rectifier complete
- No.3 Assembly rail with fastening set
- No.4 Terminal blocks (4 conductor ground terminal block, 2 conductor through terminal block, 4 conductor through terminal block, end plate)
- No.5 Cap for gear cover complete
- No.6 Cable for power supply

Electric chain hoists with single lifting speed 400 Volts, 3 phases ~

No.:	Number	Designation	Order- No.: B1/00A, B1/50A, B1.1/00B, B1.1/50B, B1.1/51B	Order- No.: B2/00D, B2/50D, B2/53D, B4/00H, B4.1/00J, B4.2/00M	Order- No.: B6/00L, B6/51L, B6.1/00P
1	1	Direct control complete	AB 01 10 2 00A 000/1 Pos.2-5	AB 01 10 2 00D 000/1 Pos.2-5	AB 01 10 2 00L 000/1 Pos.2-5
2	1	Rectifier complete consists from:	AB 01 10 3 00A 209/0 1 Rectifier plate complete <i>AB 01 20 00040 00040</i> 2 Blind rivets 4x10 DIN 7337 1 Holding device for rectifier 1 Hex. sock. cap screw M5x12 DIN 912 1 Spring washer 5,1 DIN 7980 1 Toothed lock washer A5,3 DIN 6797 1 Insulating stripe	AB 01 10 3 00D 209/0 1 Rectifier plate complete <i>AB 01 00040 00040</i> 2 Hex. sock. cap screws M4x5 DIN 84 2 Toothed lock washers A4,1 DIN 6797 1 Holding device for rectifier 1 Hex. sock. cap screw M5x12 DIN 912 1 Spring washer 5,1 DIN 7980 1 Toothed lock washer A5,3 DIN 6797 1 Insulating stripe	
3	1	Assembly rail with fastening set consists from:	AB 01 10 3 00A 230/0 Assembly rail 150 mm long 2 Hex. sock. cap screws M5x12 DIN 912 2 Spring washers 5,1 DIN 7980 2 Toothed lock washers A5,3 DIN 6797	AB 01 10 3 00D 230/0 Assembly rail 220 mm long 2 Hex. sock. cap screws M5x12 DIN 912 2 Spring washers 5,1 DIN 7980 2 Toothed lock washers A5,3 DIN 6797	AB 01 10 0 00L 230/0 Assembly rail 280 mm long 2 Hex. sock. cap screws M5x12 DIN 912 2 Spring washers 5,1 DIN 7980 2 Toothed lock washers 5,3 DIN 6797
4	1	Terminal blocks consists from:	4 conductor ground terminal block: 2 conductor through terminal block: 4 conductor through terminal block end plate:	AB 01 20 02640 07370 AB 01 20 02640 07110 AB 01 20 02640 07310 AB 01 20 02640 03690	
5	1	Cap for gear cover complete consists from:	AB 01 01 2 00A 004/1 1 Cap for gear cover <i>AB 01 53 01011 00040</i> 1 Gasket <i>AB 01 01 0 00A 038/0</i> 3 Hex. sock. cap screws M5x50 DIN 912 3 Toothed lock washers A5,1 DIN 6797 <i>AB 01 01 3 00A 202/0</i>	AB 01 01 2 00D 005/1 1 Cap for gear cover <i>AB 01 53 01023 00050</i> 1 Gasket <i>AB 01 01 0 00D 038/0</i> 3 Hex. sock. cap screws M6x30 DIN 912 3 Toothed lock washers A6,4 DIN 6797 <i>AB 01 01 3 00D 202/1</i>	AB 01 01 2 00L 005/1 1 Cap for gear cover <i>AB 01 01 0 00L 005/1</i> 1 Gasket <i>AB 01 01 0 00L 038/0</i> 3 Hex. sock. cap screws M8x70 DIN 912 3 Spring washers 8,1 DIN 7980 <i>AB 01 01 3 00L 202/0</i>
6	1 m	Cable for power supply	AB 01 45 0H070 04G15		

Spare part number for conversion kit to brake relay (except B4.2 and 6.1)

For older lifting gears fitted with the currentswitch the conversion to the new brake Relay is necessary.

Conversion kit consists from:

AA 01 10 2 00C 001/1

- basic plate
- assembly rail
- 2 cylindrical screws M4x6 DIN 84
- brake relay with bridge cables
- 2 cylindrical screws M4x10 DIN 84
- 2 nuts M4 DIN 934
- 2 lock washers A4,3 DIN 6797

Please note the attached conversion manual and wiring diagram for this conversion!



Electric chain hoists with double lifting speeds 400 Volts, 3 phases ~

No.:	Number	Designation	Order- No.: B1.3/00C, B1.3/50C, B1.3/51C	Order- No.: B2/51D, B2/52D, B3/00G, B5/00I, B5/50I, B5.1/00K	Order- No.: B7/00O, B7.1/00N, B7.2/00T
1	1	Direct control complete	AB 01 10 2 00C 000/1 Pos.2-5	AB 01 10 2 00G 000/1 Pos.2-5	AB 01 10 2 00O 000/1 Pos.2-5
2	1	Rectifier with brake contactor complete consists from:	AB 01 10 2 00C 001/0 1 Holding device for rectifier 1 Rectifier plate complete 2 Blind rivets 4x10 DIN 7337 2 Toothed lock washers A4,3 DIN 6797 1 Insulating stripe <i>AB 01 10 3 00A 209/0</i> 1 Brake contactor <i>AB 01 74 3DSL3 10400</i>	AB 01 10 2 00G 001/0 1 Holding device for rectifier 1 Rectifier plate complete 2 Hex. sock. cap screws M4x6 DIN 84 2 Toothed lock washers A4,3 DIN 6797 1 Insulating stripe <i>AB 01 10 3 00D 209/0</i> 1 Brake contactor <i>AB 01 74 3DSL3 10400</i>	AB 01 10 2 00O 001/0 1 Holding device for rectifier 1 Rectifier plate complete 2 Hex. sock. cap screws M4x6 DIN 84 2 Toothed lock washers A4,3 DIN 6797 1 Insulating stripe <i>AB 01 10 3 00L 209/0</i> 1 Brake contactor <i>AB 01 74 3DSL3 10400</i>
3	1	Assembly rail with fastening set	AB 01 10 3 00A 230/0 Assembly rail 150 mm long 2 Hex. sock. cap screws M5x12 DIN 912 2 Spring washers 5,1 DIN 7980 2 Toothed lock washers A5,3 DIN 6797	AB 01 10 3 00D 230/0 Assembly rail 220 mm long 2 Hex. sock. cap screws M5x12 DIN 912 2 Spring washers 5,1 DIN 7980 2 Toothed lock washers 5,3 DIN 6797	AB 01 10 0 00L 230/0 Assembly rail 280 mm long 2 Hex. sock. cap screws M5x12 DIN 912 2 Spring washers 5,1 DIN 7980 2 Toothed lock washers A5,3 DIN 6797
4	1	Terminal blocks	4 conductor ground terminal block: 2 conductor through terminal block: 4 conductor through terminal block end plate:	AB 01 20 02640 07370 AB 01 20 02640 07110 AB 01 20 02640 07310 AB 01 20 02640 03690	
5	1	Cap for gear cover complete consists from:	AB 01 01 2 00A 004/1 1 Cap for gear cover <i>AB 01 53 01011 00040</i> 1 Gasket <i>AB 01 01 0 00A 038/0</i> 3 Hex. sock. cap screws M5x50 DIN 912 3 Toothed lock washers A5,1 DIN 6797 <i>AB 01 01 3 00A 202/0</i>	AB 01 01 2 00D 005/1 1 Cap for gear cover <i>AB 01 53 01023 00050</i> 1 Gasket <i>AB 01 01 0 00D 038/0</i> 3 Hex. sock. cap screws M6x30 DIN 912 3 Toothed lock washers A6,4 DIN 6797 <i>AB 01 01 3 00D 202/1</i>	AB 01 01 2 00L 005/1 1 Cap for gear cover <i>AB 01 01 0 00L 005/1</i> 1 Gasket <i>AB 01 01 0 00L 038/0</i> 3 Hex. sock. cap screws M8x70 DIN 912 3 Spring washers 8,1 DIN 7980 <i>AB 01 01 3 00L 202/0</i>
6	1 m	Cable for power supply	AB 01 45 0H070 04G15		

Electric chain hoists 230 Volts, 1 phase ~

No.:	Number	Designation	Order- No.: B1AK/01A, B1.1AK/01B, B1.1AK/02B	Order- No.: B2AK/01D, B2AK/02D, B3AK/01G	Order- No.: B5AK/01I, B5.1AK/01K
1	1	Direct control complete	AB 02 10 2 01A 000/1 Pos. 2-6	AB 02 10 2 01D 000/1 Pos. 2-6	AB 02 10 2 01I 000/1 Pos. 2-6
2	1	Rectifier complete with holding device for rectifier consists from:	AB 02 11 0 01A 209/0 1 Rectifier plate complete AB 02 20 00040 00040 2 Blind rivets 4x 10 DIN 7337 2 Toothed lock washers A4,1 DIN 6797 1 Holding device for rectifier 1 Hex. sock. cap screw M5x12 DIN 912 1 Spring washer 5,1 DIN 7980 1 Toothed lock washer A5,3 DIN 6797 1 Holding device 1 Insulating stripe	AB 02 11 0 01D 209/0 1 Rectifier plate complete AB 02 20 00040 00040 2 Hex. sock. cap screws M4x5 DIN 84 2 Toothed lock washers A4,1 DIN 6797 1 Holding device for rectifier 1 Hex. sock. cap screw M5x12 DIN 912 1 Spring washer 5,1 DIN 7980 1 Toothed lock washer A5,3 DIN 6797 1 Holding device 1 Insulating stripe	
3	1	Capacitor produced till 2000 produced from 2000	AB 02 20 00100 00020 20 µF	AB 02 20 00100 00125 125 µF	AB 02 20 00100 00060 60 µF
4	1	Timer produced till 2000 Electronic starter produced from 2000		AB 02 74 40060 01011	AB 02 74 40060 02220
5	1	Assembly rail with Fastening set	AB 01 10 3 00A 230/0 1 Assembly rail 150 mm long 2 Hex. sock. cap screws M5x12 DIN 912 2 Spring washers 5,1 DIN 7980 2 Toothed lock washers A5,3 DIN 6797	AB 01 10 3 00D 230/0 1 Assembly rail 220 mm long 2 Hex. sock. cap screws M5x12 DIN 912 2 Spring washers 5,1 DIN 7980 2 Toothed lock washers A5,3 DIN 6797	AB 01 10 0 00L 230/0 1 Assembly rail 220 mm long 2 Hex. sock. cap screws M5x12 DIN 912 2 Spring washers 5,1 DIN 7980 2 Toothed lock washers A5,3 DIN 6797
6	1	Terminal blocks	4 conductor ground terminal block: 2 conductor through terminal block: 4 conductor through terminal block End plate:	AB 01 20 02640 07370 AB 01 20 02640 07110 AB 01 20 02640 07310 AB 01 20 02640 03690	
7	1	Cap for gear cover consists from:	AB 02 11 2 00A 005/1 1 Cap for gear cover AB 02 53 11011 00050 1 Gasket AB 02 01 0 00A 038/0 3 Hex. sock. cap screws M5x50 DIN 912 3 Toothed lock washers A5,1 DIN 6797 AB 02 11 3 00A 202/0	AB 02 11 2 00D 005/1 1 Cap for gear cover AB 02 53 01023 00040 1 Gasket AB 02 01 0 00D 038/0 3 Hex. sock. cap screws M6x75 DIN 912 3 Toothed lock washers A6,4 DIN 6797 AB 02 11 3 00D 202/0	
8	1 m	Cable for power supply	AB 02 45 0H070 03G25		

No. 1 Direct control complete

(without cap for gear cover)

No. 2 Rectifier complete with holding device

No. 3 Capacitor

No. 4 Timer / Electronic starter

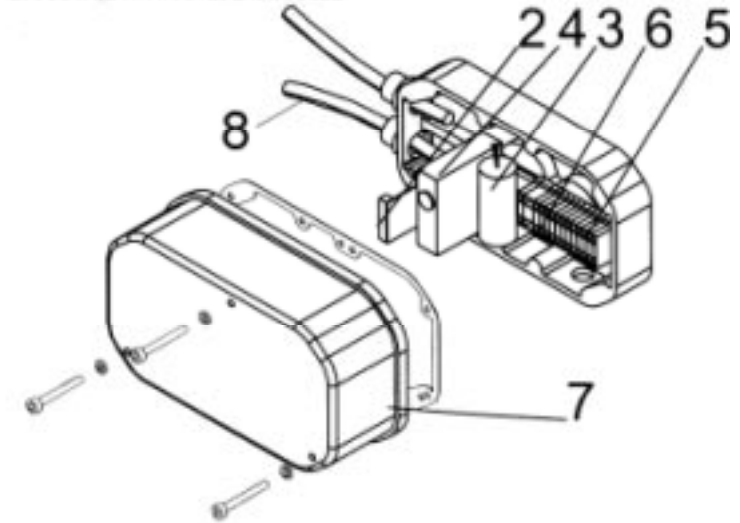
No. 5 Assembly rail with fastening set

No. 6 Terminal blocks (4 conductor ground terminal block, 2 conductor through terminal block, 4 conductor through terminal block, end plate)

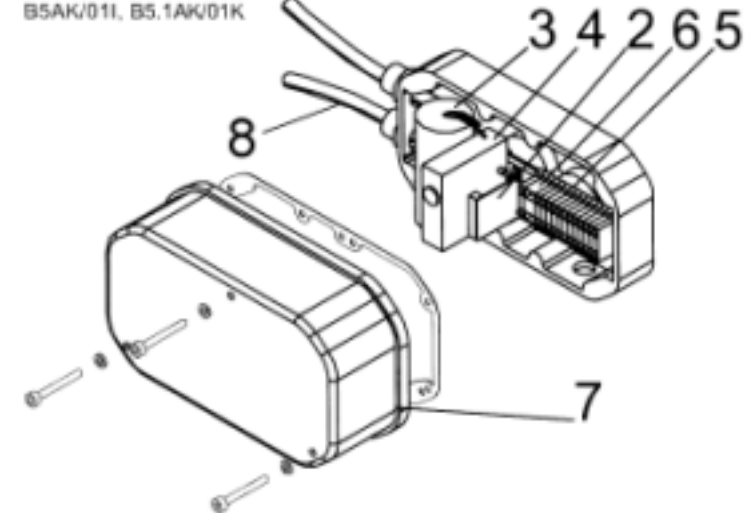
No. 7 Cap for gear cover

No. 8 Cable for power supply

direct control
BAK/01A, B1.1AK/01B, B1.1AK/02B

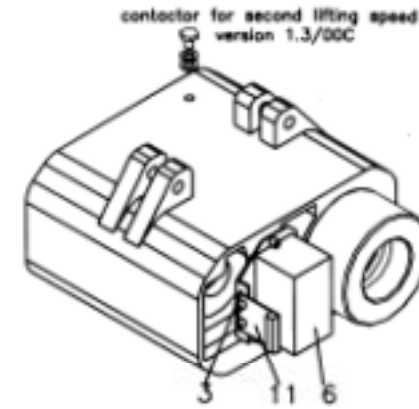
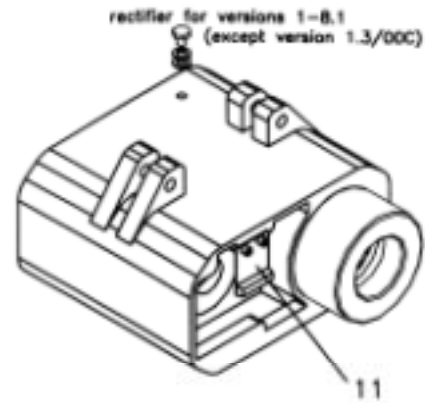
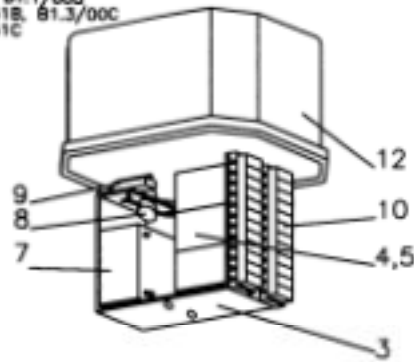


direct control
B2AK/01D, B2AK/03D, B3AK/01G
B5AK/01I, B5.1AK/01K

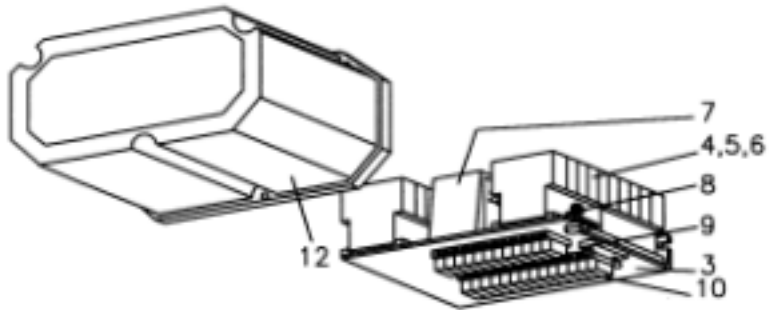


Spare part list AC – contactor control for the hoist

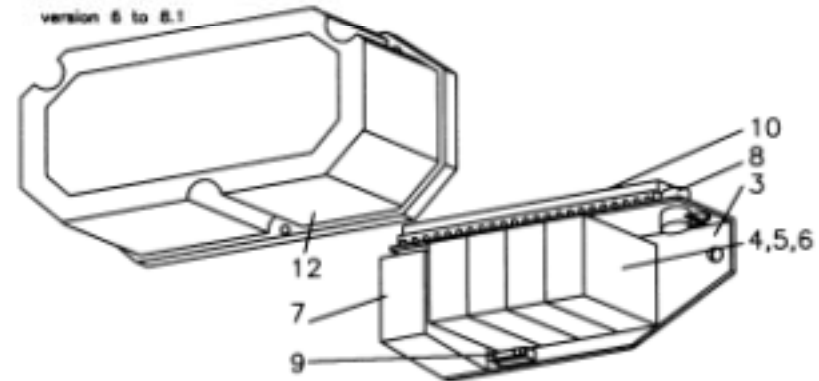
versions
B1/00A, B1/50A, B1.1/00B
B1.1/50B, B1.1/51B, B1.3/00C
B1.3/50C, B1.3/51C



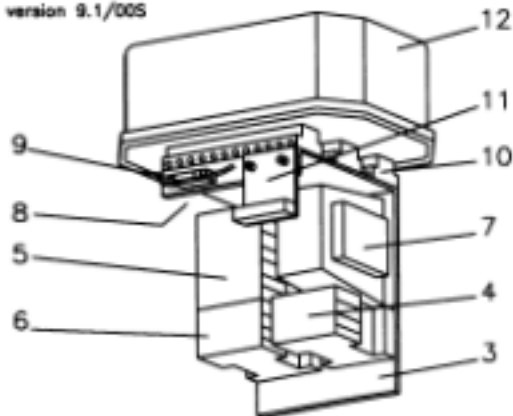
version 2 to 5.1



version 6 to 8.1



version 9.1/00S



- No.1 Contactor control with emergency stop completely wired (without cap for gear cover)
- No.2 Contactor control without emergency stop completely wired (without cap for gear cover)
- No.3 Basic plate for contactor control with assembly rail and fastening set complete
- No.4 Main contactor
- No.5 Contactor for lifting motion
- No.6 Contactor for second lifting speed
- No.7 Transformer
- No.8 Primary fuse complete consists from: fuse, fuse holder
- No.9 Secondary fuse complete consists from: fuse, fuse holder
- No.10 Distribution terminal
- No.11 Rectifier
- No.12 Cap for the gear cover complete consists from: cap, gasket, fastening set

Electric chain hoists with single lifting speed 400 Volts, 3 phases ~

No.:	Number	Designation	Order- No.: B1/00A, B1/50A, B1.1/00B, B1.1/50B, B1.1/51B	Order- No.: B2/00D, B2/50D, B2/53D, B4/00H, B4.1/00J, B4.2/00M	Order- No.: B6/00L, B6/51L, B6.1/00P, B8.1/00R
1	1	Contactor control with emergency stop complete (without gear cap Pos. 12)	AC 01 11 2 00A 000/0 Pos.3-5, Pos.7-11	AC 01 11 2 00D 000/0 Pos.3-5, Pos.7-11	AC 01 11 2 00L 000/0 Pos.3-5, Pos.7-11
2	1	Contactor control without emergency stop complete (without gear cap Pos. 12) consists from:	AC 01 11 2 10A 000/0 Pos.3, Pos.5, Pos.7-11	AC 01 11 2 10D 000/0 Pos.3, Pos.5, Pos.7-11	AC 01 11 2 10L 000/0 Pos.3, Pos.5, Pos.7-11
3	1	Basic plate for contactor control with assembly rail and fastening set complete consists from:	AC 01 11 2 00A 001/0 1 Basic plate with assembly rail 2 Hexag.sock.cap screws M5x12 DIN84 2 Spring washers 5,1 DIN 7980 2 Washers 5,3 DIN 125	AC 01 11 2 00D 001/0 1 Basic plate with assembly rail 2 Hexag.sock.cap screws M5x12 DIN84 2 Spring washers 5,1 DIN 7980 2 Washers 5,3 DIN 125	AC 01 11 2 00L 001/0 1 Basic plate with assembly rail 2 Hexag.sock.cap screws M5x12 DIN84 2 Spring washers 5,1 DIN 7980 2 Washers 5,3 DIN 125
4	1	Main contactor K1	AC 01 74 3DSL3 10024	AC 01 74 3LC1K 91024	
5	1	Contactor for lifting motion K2, K3	AC 01 74 3DSL3 01024 2 pieces	AC 01 74 3LC2K 91024 1 piece	
7	1	Transformer 230-400V/24 V	AC 01 88 00400 UI024 2 Toothed lock washers A4,1 DIN 6797 2 Hexagon nuts M4 DIN 934	AC 01 88 00400 EI024 2 Hexag.sock.cap screws M4x5 DIN 84 2 Washers 4,3 DIN 125 2 Hexagon nuts M4 DIN 934	
8	1	Primary fuse complete consists from:		AC 01 20 00060 00080 Fuse holder AC 01 20 00060 00082 Fuse 1,25 A	
9	1	Secondary fuse complete consists from:		AC 01 20 00060 00081 Fuse holder 1 Hexag.sock.cap screw M3x5 DIN 84 AC 01 20 00060 00082 Fuse 1,25 A	
10	1	Distributional terminal	AC 01 20 00000 00012 2 Pieces 12- pole	AC 01 20 00000 00012 2 Pieces 12- pole 1 Piece 2- pole	AC 01 20 00000 00012 2 Pieces 12- pole
11	1	Rectifier complete consists from:		AC 01 10 3 00A 209/0 1 Rectifier 2 Hexag.sock.cap screws M4x8 DIN 84 2 Toothed lock washers A4,1 DIN 6797	
12	1	Cap for gear cover complete consists from:	AC 01 11 2 00A 005/1 1 Cap for gear cover AC 01 53 11011 00050 1 Gasket AC 01 01 0 00A 038/0 3 Hex.sock. cap screws M5x50 DIN 912 3 Toothed lock washers A5,1 DIN 6797 AC 01 01 3 00A 202/0	AC 01 11 2 00D 005/1 1 Cap for gear cover AC 01 53 01023 00040 1 Gasket AC 01 01 0 00D 038/0 3 Hex.sock. cap screws M6x70 DIN 912 3 Toothed lock washers A6,4 DIN 6797 AC 01 01 3 00D 202/1	AC 01 01 2 00L 005/1 1 Cap for gear cover AC 01 01 0 00L 005/1 1 Gasket AC 01 01 0 00L 038/0 3 Hex.sock. cap screws M8x70 DIN 912 3 Spring washers 8,1 DIN 7980 AC 01 01 3 00L 202/0

EE - contactors (Telemecanique) are not any available. The complete contactor control must be changed.

Electric chain hoists with double lifting speeds 400 Volts, 3 phases ~

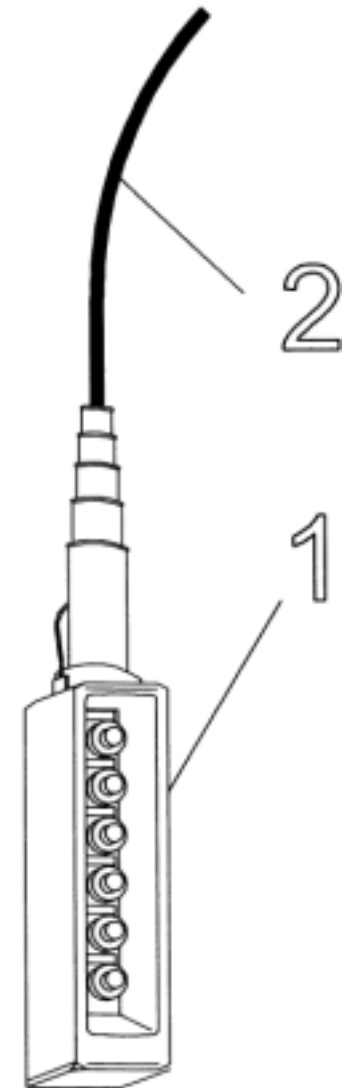
No.:	Number	Designation	Order- No.: B1.3/00C, B1.3/50C, B1.3/51C	Order- No.: B2/51D, B2/52D, B3/00G, B5/00I, B5/50I, B5.1/00K	Order- No.: B7/00O, B7.1/00N, B7.2/00T	Order- No.: B9.1/00S
1	1	Contactor control with emergency stop complete (without gear cap pos. 12)	AC 01 11 2 00C 000/0 Pos. 3 -11	AC 01 11 2 00G 000/0 Pos. 3 -11	AC 01 11 2 00O 000/0 Pos. 3 -11	AC 01 11 2 00S 000/0 Pos. 3 -11
2	1	Contactor control without emergency stop complete (ohne Kappe Pos. 12)	AC 01 11 2 10C 000/0 Pos. 3, Pos. 5 - 11	AC 01 11 2 10G 000/0 Pos. 3, Pos. 5 - 11	AC 01 11 2 10O 000/0 Pos. 3, Pos. 5 - 11	AC 01 11 2 10S 000/0 Pos. 3, Pos. 5 - 11
3	1	Basic plate for contactor control with assembly rail and fastening set complete consists from:	AC 01 11 2 00A 001/0 1 Basic plate with assembly rail 2 Hex. sock. cap screws M5x12 DIN 84 2 Spring washers 5,1 DIN 7980 2 Washers 5,3 DIN 125	AC 01 11 2 00D 001/0 1 Basic plate with assembly rail 2 Hex. sock. cap screws M5x12 DIN 84 2 Spring washers 5,1 DIN 7980 2 Washers 5,3 DIN 125	AC 01 11 2 00L 001/0 1 Basic plate with assembly rail 2 Hex. sock. cap screws M5x12 DIN 84 2 Spring washers 5,1 DIN 7980 2 Washers 5,3 DIN 125	AC 01 11 2 00S 001/0 1 Basic plate with assembly rail 2 Hex. sock. cap screws M5x12 DIN 84 2 Spring washers 5,1 DIN 7980 2 Washers 5,3 DIN 125
4	1	Main contactor K1	AC 01 74 3DSL3 10024	AC 01 74 3LC1K 91024		
5	1	Schütz für Heben/Senken K2, K3	AC 01 74 3DSL3 01024 2 pieces	AC 01 74 3LC2K 91024 1 piece		
6	1	Contactor for second lifting speed K4	AC 01 74 3DSL3 22024 1 Contactor AC 01 11 2 00C 003/0 1 Console complete with assembly rail 2 Hex. sock. cap screws M4x12 DIN 84 2 Toothed lock washers A4,1 DIN 6797	AC 01 74 3LC1K 98024 1 piece		
7	1	Transformer 230-400V/24 V	AC 01 88 00400 UI024 2 Toothed lock washers A4,1 DIN 6797 2 Hexagon nuts M4 DIN 934	AC 01 88 00400 EI024 2 Hex. sock. cap screws M4x5 DIN 84 2 Washers 4,3 DIN 125 2 Hexagon nuts M4 DIN 934		
8	1	Primary fuse complete consists from:	AC 01 20 00060 00080 Fuse holder AC 01 20 00060 00082 Fuse 1,25 A			
9	1	Secondary fuse complete consists from:	AC 01 20 00060 00081 1 Fuse holder 1 Hexag. sock. cap screw M3x5 DIN 84 AC 01 20 00060 00082 1 Fuse 1,25 A			
10	1	Distributional terminal	AC 01 20 00000 00012 2 pieces 12- pole	AC 01 20 00000 00012 • 2 pieces 12- pole • 1 piece 4- pole	AC 01 20 00000 00012 2 pieces 12- pole	AC 01 20 00000 00012 3 pieces 12- pole
11	1	Rectifier complete consists from:	AC 01 10 3 00A 209/0 1 Rectifier 2 Hex. sock. cap screws M4x8 DIN 84 2 Toothed lock washers A4,1 DIN 6797			
12	1	Cap for gear cover complete consists from:	AC 01 11 2 00A 005/1 Cap for gear cover AC 01 53 11011 00050 1 Gasket AC 01 01 0 00A 038/0 3 Hex. sock. cap screws M5x50 DIN 912 3 Toothed lock washers A5,1 DIN 6797 AC 01 01 3 00A 202/0	AC 01 11 2 00D 005/1 Cap for gear cover AC 01 53 01023 00040 1 Gasket AC 01 01 0 00D 038/0 3 Hex. sock. cap screws M6x70 DIN 912 3 Spring washers 6,1 DIN 7980 AC 01 01 3 00D 202/1	AC 01 01 2 00L 005/1 Cap for gear cover AC 01 01 0 00L 005/1 1 Gasket AC 01 01 0 00L 038/0 3 Hex. sock. cap screws M8x70 DIN 912 3 Spring washers 8,1 DIN 7980 AC 01 01 3 00L 202/0	AC 01 01 2 00L 004/1 Cap for gear cover AC 01 01 0 00L 004/1 1 Gasket AC 01 01 0 00L 038/0 3 Hex. sock. cap screws M8x90 DIN 912 3 Spring washers 8,1 DIN 7980 AC 01 01 3 00L 213/0

Example for order: AC 01 11 2 00S 001/0 Contactor control complete without cap for version 9.1

EE - contactors (Telemecanique) are not any available. The complete contactor control must be changed.

Spare part list AD – pendant control for lifting gear direct control

Order- No. pendant control (1)	Number of buttons	Function of buttons	Control cable (2)	Order- No.:
AD 01 81 B0100 AK000	2	Lifting / lowering one step button (for AK-versions)	8x1,5	AD 01 45 0YMH0 08015
AD 01 81 B0100 AK0NH	3	Lifting / lowering one step button (for AK-versions) with emergency stop button		
AD 01 81 B0100 00000	2	Lifting / lowering one step button	7x1,5	AD 01 45 0YMH0 07015
AD 01 81 B0100 000NH	3	Lifting / lowering one step button with emergency stop button		
AD 01 81 B0101 00000	4	Lifting / lowering one step button Travelling left / right one step button	8x1,5	AD 01 45 0YMH0 08015
AD 01 81 B0101 000NH	5	Lifting / lowering one step button Travelling left / right one step button with emergency stop button		
AD 01 81 B0102 00000	4	Lifting / lowering one step button Travelling left / right two step button	12x1,5	AD 01 45 0H070 12G15
AD 01 81 B0102 000NH	5	Lifting / lowering one step button Travelling left / right two step button with emergency stop button		
AD 01 81 B0200 00000	2	Lifting / lowering two step button	7x1,5	AD 01 45 0YMH0 07015
AD 01 81 B0200 000NH	3	Lifting / lowering two step button with emergency stop button		
AD 01 81 B0201 00000	4	Lifting / lowering two step button Travelling left / right one step button	10x1,5	AD 01 45 0YMH0 10015
AD 01 81 B0201 000NH	5	Lifting / lowering two step button Travelling left / right one step button with emergency stop button		
AD 01 81 B0202 00000	4	Lifting / lowering two step button Travelling left / right two step button	12x1,5	AD 01 45 0H070 12G15
AD 01 81 B0202 000NH	5	Lifting / lowering two step button Travelling left / right two step button with emergency stop button		



Spare parts for a./m. control pendants

Order- No.	Function of buttons
AD 01 81 XES0D 02201	1 speed (lifting or travelling)
AD 01 81 XES0D 02241	1 speed (for AK-versions)
AD 01 81 XES0D 01191	Contact block
AD 01 81 XES0D 01291	
AD 01 81 XAC0S 00399	2 speeds (lifting or travelling)
AD 01 81 XAC0S 00399	Emergency stop
AD 01 81 ZA2BS 00054	Emergency stop button
AD 01 81 XAC0B 09211	Rubber on button white
AD 01 81 XAC0B 09212	Rubber on button black

Caused by changed wiring diagrams within the last years pendant controls which are delivered as spare parts are not wired inside. If ordered with control cable they will be wired a new wiring diagram is added to the delivery

Example for order: AD 01 81 B0200 000NH pendant control with functions: lifting / lowering two step with emergency stop button

Spare part list AE – pendant control for lifting gear contactor control

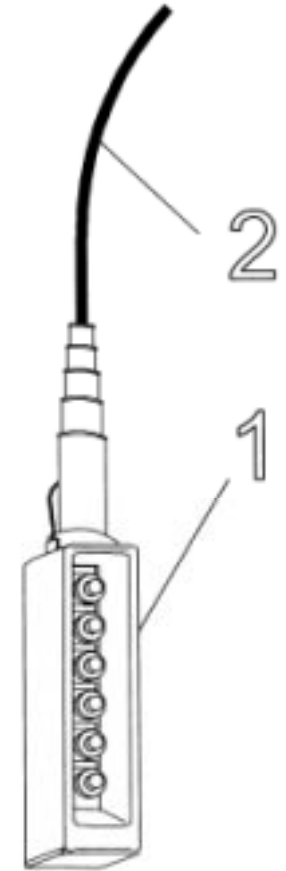
Order- No. pendant control (1)	Number of button	Function of buttons	Control cable (2)	Order No.:		
AE 01 81 A0100 00000	2	Lifting / lowering one step button	4G1,5	AD 01 45 0H070 04G15		
AE 01 81 A0100 000NH	3	Lifting / lowering one step button	with emergency stop button	5G1,5	AD 01 45 0H070 05G15	
AE 01 81 A0101 00000	4	Lifting / lowering one step button	Travelling left / right one step button	7x1,5	AD 01 45 0YMH0 07015	
AE 01 81 A0101 000NH	5	Lifting / lowering one step button	Travelling left / right one step button	with emergency stop button	7x1,5	AD 01 45 0YMH0 07015
AE 01 81 A0102 00000	4	Lifting / lowering one step button	Travelling left / right two step button	7x1,5	AD 01 45 0YMH0 07015	
AE 01 81 A0102 000NH	5	Lifting / lowering one step button	Travelling left / right two step button	with emergency stop button	12G1,5	AD 01 45 0H070 12G15
AE 01 81 A0200 00000	2	Lifting / lowering two step button		5G1,5	AD 01 45 0H070 05G15	
AE 01 81 A0200 000NH	3	Lifting / lowering two step button	with emergency stop button	7x1,5	AD 01 45 0YMH0 07015	
AE 01 81 A0201 00000	4	Lifting / lowering two step button	Travelling left / right one step button	7x1,5	AD 01 45 0YMH0 07015	
AE 01 81 A0201 000NH	5	Lifting / lowering two step button	Travelling left / right one step button	with emergency stop button	12G1,5	AD 01 45 0H070 12G15
AE 01 81 A0202 00000	4	Lifting / lowering two step button	Travelling left / right two step button	12G1,5	AD 01 45 0H070 12G15	
AE 01 81 A0202 000NH	5	Lifting / lowering two step button	Travelling left / right two step button	with emergency stop button	12G1,5	AD 01 45 0H070 12G15

Spare parts for a./m. control pendants

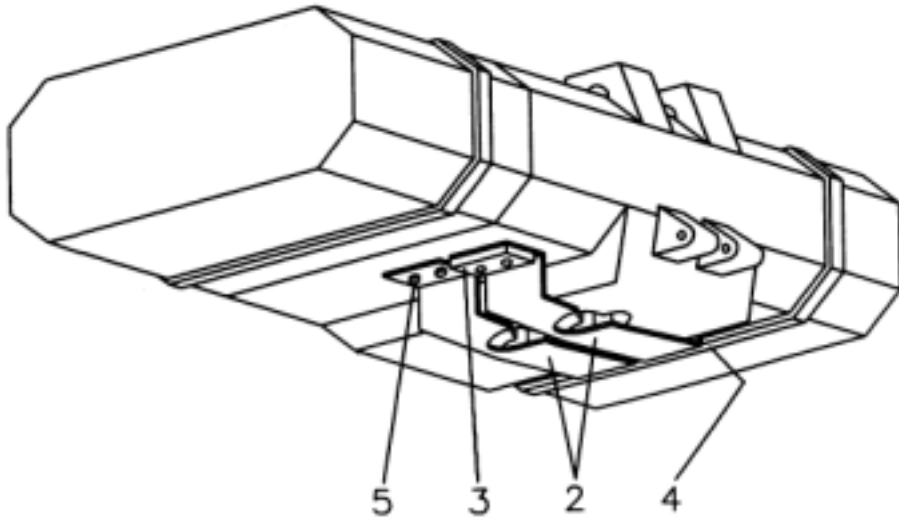
Order- No.	Function of buttons
AE 01 81 ZB2BE 00101	1 speed (lifting or travelling)
AE 01 81 XEN0G 01191	Contact block
AE 01 81 ZB2BE 00102	Emergency stop
AE 01 81 ZA2BS 00044	Emergency stop button
AE 01 81 XAC0A 09411	Rubber on button
AE 01 81 XAC0A 09412	white black

Example for order: AE 01 81 A0200 000NH pendant control for lifting / lowering two step button with emergency stop

Caused by changed wiring diagrams within the last years pendant controls which are delivered as spare parts are not wired inside.
If ordered with control cable they will be wired a new wiring diagram is added to the delivery.



Spare part list AF – electric limit switches (contactor control only)



- No. 1 **Section electrical limit switches complete** (without figure) consists from: Pos. 2-5
 No. 2 **Limit switch plate for lifting and lowering**
 No. 3 **Stop rail**
 No. 4 **Electric switch**
 No. 5 **Fastening set**

No.:	Number	Designation	Order-No.: for chain 4x12 for version B1/00A, B1/50A, B1.1/00B, B1.150B, B1.1/51B , B1.3/00C, B1.3/51C	Order-No.: for chain 5x15 and 7x22 for version B2/00D, 2/50D, B2/51D, B2/52D, B2/53D, B3/00G, B4/00H, B4.1/00J, B4.2/00M, B5/00I, B5/50I, B5.1/00K	Order-No.: for chain 9x27 for version B6/00L, B6/51L, B6.1/00P, B7/00O, B7.1/00N, B7.2/00T	Order-No.: for chain 11x31 for version B8.1/00R, B8.1/52R, B9.1/00S
1	1	Section electrical limit switches complete consists from:	AF 01 46 2 00A 000/0 Pos. 2-5	AF 01 46 2 00D 000/0 Pos. 2-5	AF 01 46 2 00L 000/0 Pos. 2-5	AF 01 46 2 00R 000/0 Pos. 2-5
2	2	Limit switch plate for lifting and lowering	AF 01 46 0 00A 002/0	AF 01 46 0 00D 002/0	AF 01 46 0 00L 002/0	AF 01 46 0 00R 002/0
3	1	Stop rail	AF 01 46 0 00A 003/0	AF 01 46 0 00D 003/0	AF 01 46 0 00L 003/0	AF 01 46 0 00R 003/0
4	2	Electric switch			AF 01 20 50200 00SE0 1 Limitswitch AF 01 64 07603 10013 1 Washer	
5	1	Fastening set consists from:	AF 01 46 3 00A 218/0 2 Hexag.sock.cap screws M5x10 DIN912 2 Hexag.sock.cap screws M5x14 DIN912 4 Spring washers 5,1 DIN 7980		AF 01 46 3 00L 218/0 2 Hexag.sock.cap screws M6x12 DIN 912 2 Hexag.sock.cap screws M6x22 DIN 912 4 Spring washers 6,1 DIN 7980	

Example for order: **AF 01 46 2 00A 000/0** section electrical limit switches for version1-1.3 (Kette 4x12) complete

Spare part list AG – suspension eye

section 01: single hole suspension eye

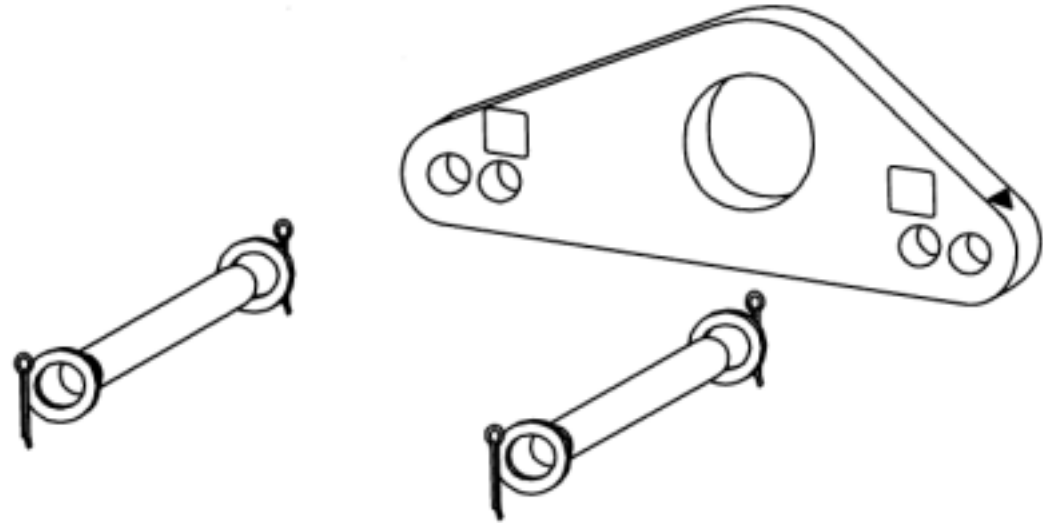


figure 1: single hole suspension eye

Single hole suspension eye

Figure No.:	Number	Designation	for chain 4x12 capacity max. 500kg for version B1/00A, B1/50A, B1AK/01A, B1.1/00B, B1.150B, B1.1/51B, B1.1AK/01B, B1.1AK/02B, B1.3/00C, B1.3/51C	for chain 5x15 capacity max. 500kg for version B2/00D, 2/50D, B2/51D, B2/52D, B2/53D, B3/00G, B2AK/01D B2AK/02D, B3AK/01G, B5AK/52I	for chain 7x22 capacity max. 1000kg for version B4/00H, B4.1/00J, B4.2/00M, B5/00I, B5/50I, B5.1/00K, B5AK/01I	for chain 7x22 capacity max. 2000kg for version B4.1/00J, B4.2/00M, B5.1/00K, B5.1AK/01K	for chain 9x27 capacity max. 2000kg for version B6/00L, B6/51L, B7/00O	for chain 9x27 capacity max. 3200kg for version B6.1/00P, B7.1/00N, B7.2/00T	for chain 11x31 capacity max. 5000kg for version B8.1/00R, B8.1/52R, B9.1/00S
1	1	single hole suspension eye complete consists from:	AG 01 55 2 00A 003/0 1 Single hole suspension eye AG 01 55 0 00A 003/0 2 Bolts 12x70x58 DIN 1433 4 Washers 13 DIN 125 4 Parallel pins 4x28 DIN 94 AG 01 01 3 00A 210/0	AG 01 55 2 00D 004/0 1 Single hole suspension eye AG 01 55 0 00D 004/0 2 Bolts 12x75x62 DIN 1433 4 Washers 13 DIN 125 4 Parallel pins 4x28 DIN 94 AG 01 01 3 00D 210/0	AG 01 55 2 00H 004/0 1 Single hole suspension eye AG 01 55 0 00H 004/0 2 Bolts 14x75x62 DIN 1433 4 Washers 15 DIN 125 4 Parallel pins 4x28 DIN 94 AG 01 01 3 00H 210/0	AG 01 55 2 00J 004/0 1 Single hole suspension eye AG 01 55 0 00J 004/0 2 Bolts 14x75x62 DIN 1433 4 Washers 15 DIN 125 4 Parallel pins 4x28 DIN 94 AG 01 01 3 00J 210/0	AG 01 55 2 00L 004/0 1 Single hole suspension eye AG 01 55 0 00L 004/0 2 Bolts 18x95x79 DIN 1433 4 Washers 19 DIN 125 4 Parallel pins 5x40 DIN 94 AG 01 01 3 00L 210/0	AG 01 55 2 00P 004/0 1 Single hole suspension eye AG 01 55 0 00P 004/0 2 Bolts 18x95x79 DIN 1433 4 Washers 19 DIN 125 4 Parallel pins 5x40 DIN 94 AG 01 01 3 00P 210/0	AG 01 55 2 00R 004/0 1 Single hole suspension eye AG 01 55 0 00R 004/0 2 Bolts 22x105x87 DIN 1433 4 Washers 23 DIN 125 4 Parallel pins 5x40 DIN 94 AG 01 01 3 00R 210/0

section 02: Double hole suspension eye

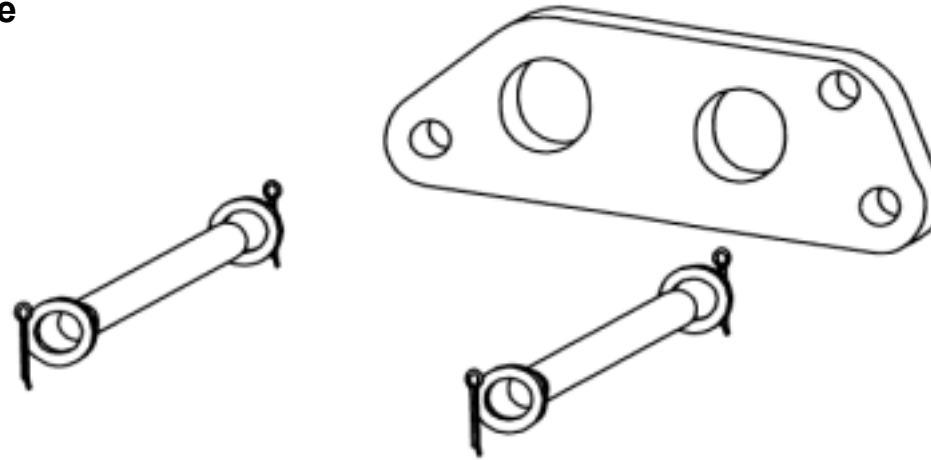


figure 2: Double hole suspension eye

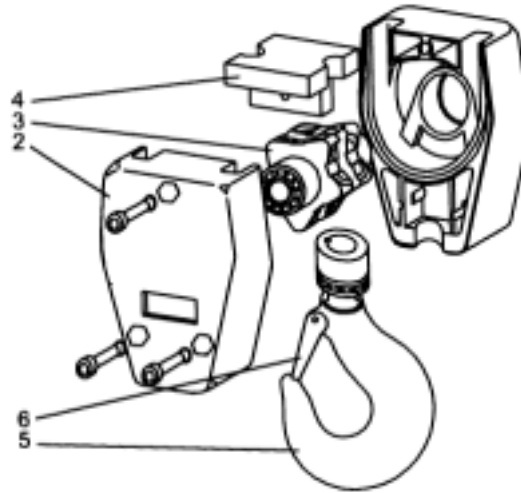
Double hole suspension eye

Figure No.:	Number	Designation	for chain 4x12 capacity max. 500kg for v ersion B1/00A, B1/50A, B1AK/01A, B1.1/00B, B1.150B, B1.1/51B, B1.1AK/01B, B1.1AK/02B, B1.3/00C, B1.3/51C	for chain 5x15 capacity max. 500kg for v ersion B2/00D, 2/50D, B2/51D, B2/52D, B2/53D, B3/00G, B2AK/01D, B2AK/02D B3AK/01G, B5AK/52I	for chain 7x22 capacity max. 1000kg for v ersion B4/00H, B4.1/00J, B4.2/00M, B5/00I, B5.1/00K, B5AK/01I	for chain 7x22 capacity max. 2000kg for v ersion B4.1/00J, B4.2/00M, B5.1/00K, B5.1AK/01K	for chain 9x27 capacity max. 2000kg for v ersion B6/00L, B6/51L, B7/00O, B7.2/00T	for chain 9x27 capacity max. 3200kg for v ersion B6.1/00P, B7.1/00N	for chain 11x31 capacity max. 5000kg for v ersion B8.1/00R, B8.1/52R, B9.1/00S
2	1	Double hole suspension eye for girder breadth „N“ complete consists from:	AG 02 55 2 00A 001/1 1 Double hole suspension eye AG 02 55 0 00A 001/1 2 Bolts 12x70x58 DIN 1433 4 Washers 13 DIN 125 4 Parallel pins 4x28 DIN 94 AG 02 01 3 00A 210/0	AG 02 55 2 00D 001/1 1 Double hole suspension eye AG 02 55 0 00D 001/1 2 Bolts 12x75x62 DIN 1433 4 Washers 13 DIN 125 4 Parallel pins 4x28 DIN 94 AG 02 01 3 00D 210/0	AG 02 55 2 00H 001/1 1 Double hole suspension eye AG 02 55 0 00H 001/1 2 Bolts 14x75x62 DIN 1433 4 Washers 15 DIN 125 4 Parallel pins 4x28 DIN 94 AG 02 01 3 00H 210/0	AG 02 55 2 00J 001/1 1 Double hole suspension eye AG 02 55 0 00J 001/1 2 Bolts 14x75x62 DIN 1433 4 Washers 15 DIN 125 4 Parallel pins 4x28 DIN 94 AG 02 01 3 00H 210/0	AG 02 55 2 00L 001/1 1 Double hole suspension eye AG 02 55 0 00L 001/1 2 Bolts 18x95x79 DIN 1433 4 Washers 19 DIN 125 4 Parallel pins 5x40 DIN 94 AG 02 01 3 00L 210/0	AG 02 55 2 00P 001/1 1 Double hole suspension eye AG 02 55 0 00P 001/1 2 Bolts 18x95x79 DIN 1433 4 Washers 19 DIN 125 4 Parallel pins 5x40 DIN 94 AG 02 01 3 00L 210/0	AG 02 55 2 00R 001/1 1 Double hole suspension eye AG 02 55 0 00R 001/1 2 Bolts 22x105x87 DIN 1433 4 Washers 23 DIN 125 4 Parallel pins 5x40 DIN 94 AG 02 01 3 00R 210/0
2	1	Double hole suspension eye for girder breadth „S1“ complete consists from:	AG 02 55 2 00A 001/1 1 Double hole suspension eye AG 02 55 0 00A 001/1 2 Bolts 12x70x58 DIN 1433 4 Washers 13 DIN 125 4 Parallel pins 4x28 DIN 94 AG 02 01 3 00A 210/0	AG 02 55 2 00D 001/1 1 Double hole suspension eye AG 02 55 0 00A 001/1 2 Bolts 12x75x62 DIN 1433 4 Washers 13 DIN 125 4 Parallel pins 4x28 DIN 94 AG 02 01 3 00D 210/0	AG 02 55 2 00H 002/1 1 Double hole suspension eye AG 02 55 0 00H 002/1 2 Bolts 14x75x62 DIN 1433 4 Washers 15 DIN 125 4 Parallel pins 4x28 DIN 94 AG 02 01 3 00H 210/0	AG 02 55 2 00J 002/1 1 Double hole suspension eye AG 02 55 0 00J 002/1 2 Bolts 14x75x62 DIN 1433 4 Washers 15 DIN 125 4 Parallel pins 4x28 DIN 94 AG 02 01 3 00H 210/0	AG 02 55 2 00L 002/1 1 Double hole suspension eye AG 02 55 0 00L 002/1 2 Bolts 18x95x79 DIN 1433 4 Washers 19 DIN 125 4 Parallel pins 5x40 DIN 94 AG 02 01 3 00L 210/0	AG 02 55 2 00P 002/1 1 Double hole suspension eye AG 02 55 0 00P 002/1 2 Bolts 18x95x79 DIN 1433 4 Washers 19 DIN 125 4 Parallel pins 5x40 DIN 94 AG 02 01 3 00L 210/0	AG 02 55 2 00R 001/1 1 Double hole suspension eye AG 02 55 0 00R 001/1 2 Bolts 22x105x87 DIN 1433 4 Washers 23 DIN 125 4 Parallel pins 5x40 DIN 94 AG 02 01 3 00R 210/0
2	1	Double hole suspension eye for girder breadth „S2“ complete consists from:	AG 02 55 2 00A 002/1 1 Double hole suspension eye AG 02 55 0 00A 002/1 2 Bolts 12x70x58 DIN 1433 4 Washers 13 DIN 125 4 Parallel pins 4x28 DIN 94 AG 02 01 3 00A 210/0	AG 02 55 2 00D 002/1 1 Double hole suspension eye AG 02 55 0 00D 002/1 2 Bolts 12x75x62 DIN 1433 4 Washers 13 DIN 125 4 Parallel pins 4x28 DIN 94 AG 02 01 3 00D 210/0	AG 02 55 2 00H 003/1 1 Double hole suspension eye AG 02 55 0 00H 003/1 2 Bolts 14x75x62 DIN 1433 4 Washers 15 DIN 125 4 Parallel pins 4x28 DIN 94 AG 02 01 3 00H 210/0	AG 02 55 2 00J 003/1 1 Double hole suspension eye AG 02 55 0 00J 003/1 2 Bolts 14x75x62 DIN 1433 4 Washers 15 DIN 125 4 Parallel pins 4x28 DIN 94 AG 02 01 3 00H 210/0	AG 02 55 2 00L 003/1 1 Double hole suspension eye AG 02 55 0 00L 003/1 2 Bolts 18x95x79 DIN 1433 4 Washers 19 DIN 125 4 Parallel pins 5x40 DIN 94 AG 02 01 3 00L 210/0	AG 02 55 2 00P 003/1 1 Double hole suspension eye AG 02 55 0 00P 003/1 2 Bolts 18x95x79 DIN 1433 4 Washers 19 DIN 125 4 Parallel pins 5x40 DIN 94 AG 02 01 3 00L 210/0	AG 02 55 2 00R 002/1 1 Double hole suspension eye AG 02 55 0 00R 002/1 2 Bolts 22x105x87 DIN 1433 4 Washers 23 DIN 125 4 Parallel pins 5x40 DIN 94 AG 02 01 3 00R 210/0

Example for order: AG 01 55 2 00A 003/0 for single hole suspension eye 4x12 - capacity 500 kg

* For orders of suspension eyes please provide the diameter of the hole of suspension ears of the hoist up to version 5 delivered prior to 1997.

Spare part list AH – double fall hook



- No. 1 – Double fall hook complete
 No. 2 – Body for double fall hook
 No. 3 – Chain sprocket wheel
 No. 4 – Elastic rubber block
 No. 5 – Load hook complete
 No. 6 – Safety latch

No.:	Number	Designation	for chain 4x12 capacity: 500kg for version B1/00A, B1/50A, B1AK/01A, B1.1/00B, B1.150B, B1.1/51B, B1.1AK/01B, B1.1AK/02B, B1.3/00C, B1.3/51C	for chain 5x15 capacity: 500 kg for version B2/00D, 2/50D, B2/51D, B2/52D, B2/53D, B3/00G, B2AK/01D B2AK/02D B3AK/01G, B5AK/52I	for chain 7x22 capacity: 1000 kg for version B4/00H, B4.1/00J, B4.2/00M, B5/00I, B5AK/01I	for chain 7x22 capacity: 2000 kg for version B4.1/00J, B4.2/00M, B5.1/00K, B5.1AK/01K	for chain 9x27 capacity: 2000 kg for version B6/00L, B6/51L, B7/00O, B7.2/00T	for chain 9x27 capacity: 3200 kg for version B6.1/00P, B7.1/00N	for chain 11x31 capacity: 5000 kg for version B8.1/00R, B8.1/52R, B9.1/00S
1	1	Double fall hook complete consists from:	AH 01 20 2 00B 000/0 Pos. 2-5	AH 01 20 2 00D 000/0 Pos. 2-5	AH 01 20 2 00J 000/0 Pos. 2-5	AH 01 20 2 00L 000/0 Pos. 2-5	AH 01 20 2 00P 000/0 Pos. 2-5	AH 01 20 2 00R 000/0 Pos. 2-5	
2	1	Body for double fall hook complete consists from:	AH 01 20 2 00B 001/1 1 Body for double fall hook 3 Hex. sock. cap screws M6x30 3 Spring washers 5,1 DIN 7980	AH 01 20 2 00D 001/1 1 Body for double fall hook 3 Hex. sock. cap screws M6x30 3 Spring washers 6,1 DIN 7980	AH 01 20 2 00J 001/1 1 Body for double fall hook 3 Hex. sock. cap screws M8x40 3 Spring washers 8,1 DIN 7980	AH 01 20 2 00L 001/0 1 Body for double fall hook 3 Hex. sock. cap screws M10x45 3 Spring washers 10,1 DIN 7980	AH 01 20 2 00P 001/0 1 Body for double fall hook 3 Hex. sock. cap screws M10x45 3 Spring washers 10,1 DIN 7980	AH 01 20 2 00R 001/0 1 Body for double fall hook 2 Hex. sock. cap screws M12x55 1 Hex. sock. cap screws M12x60 3 Spring washers 12,1 DIN 7980	
3	1	Chain sprocket wheel consists from:	AH 01 20 2 00B 005/0 1 Chain sprocketwheel 2 Roller bearing Produce till 1993 AH 01 20 2 00B 005/1 1 Chain sprocketwheel 2 Roller bearing Produce since 1993	AH 01 20 2 00D 005/1 1 Chain sprocketwheel 2 Roller bearing	AH 01 20 2 00H 005/0 1 Chain sprocketwheel 2 Roller bearing Produce till 1994 AH 01 20 2 00J 005/0 1 Chain sprocketwheel 2 Roller bearing Produce since 1994	AH 01 20 2 00L 005/0 1 Chain sprocketwheel Roller bearing	AH 01 20 2 00P 005/0 1 Chain sprocketwheel 2 Roller bearing	AH 01 20 2 00R 005/0 1 Chain sprocketwheel 2 Roller bearing	
4	1	Elastic rubber block	AH 01 35 00020 00250/1 Produce till 1993 AH 01 35 00020 00400 Produce since 1993	AH 01 35 00020 00500	AH 01 35 00020 01000 Produce till 1994 AH 01 35 00020 00700 Produce since 1994	AH 01 35 00020 00920	AH 01 35 00020 00932	AH 01 35 00020 01100	
5	1	Load hook complete consists from:	AH 01 20 2 00B 002/0 1 Load hook PS T025 012 1 Safety latch 1 Spring 1 Hook nut 1 Grooved pin 4x8 DIN 1471 1 Axial roller bearing 1 Rivet 3x20 DIN 6791	AH 01 20 2 00J 002/0 1 Load hook 1 Safety latch 1 Spring 1 Hook nut 1 Grooved pin 4x8 DIN 1471 1 Axial roller bearing 1 Rivet 4x30 DIN 6791	AH 01 20 2 00P 002/0 1 Load hook 1 Safety latch 1 Spring 1 Hook nut 1 Grooved pin 6x16 DIN 1471 1 Axial roller bearing 1 Rivet 4x30 DIN 6791	AH 01 20 2 00R 002/0 1 Load hook 1 Safety latch 1 Spring 1 Hook nut 1 Spanner 8x60 DIN 1481 1 Axial roller bearing 1 Rivet 6x35 DIN 6791			
6	1	Safety latch consists from:	AH 01 20 2 00A 003/0 1 Safety latch 1 Spring 1 Rivet 3x20 DIN 6791 Produce till 1993 AH 01 20 2 00B 003/0 1 Safety latch 1 Spring 1 Rivet 3x20 DIN 6791 Produce since 1993	AH 01 20 2 00D 003/0 1 Safety latch 1 Spring 1 Rivet 3x20 DIN 6791 Produce till 1993	AH 01 20 2 00H 003/0 1 Safety latch 1 Spring 1 Rivet 4x30 DIN 6791 Produce till 1994 AH 01 20 2 00J 003/1 1 Safety latch 1 Spring 1 Rivet 4x30 DIN 6791 Produce since 1994	AH 01 20 2 00P 003/0 1 Safety latch 1 Spring 1 Rivet 4x30 DIN 6791	AH 01 20 2 00R 003/0 1 Safety latch 1 Spring 1 Rivet 6x35 DIN 6791 produced till 2000 AH 01 20 3 00X 200/0 1 Safety latch 1 Torsion spring 1 Rivet produced from 2000		

Example for order: AH 01 20 2 00B 005/1 for chain sprocket wheel complete with roller bearing for chain dimension 4x12

Spare part list AJ – single fall hook

for chain 4x12

for version B1/00A,
B1/50A, B1AK/01A,
B1.1/00B, B1.150B,
B1.1/51B, B1.1AK/01B,
B1.1AK/02B,
B1.3/00C, B1.3/51C

for chain 5x15

for version B2/00D,
2/50D, B2/51D, B2/52D,
B2/53D, B3/00G,
B2AK/01D B2AK/02D
B3AK/01G, B5AK/52I,
B5/50I

for chain 7x22

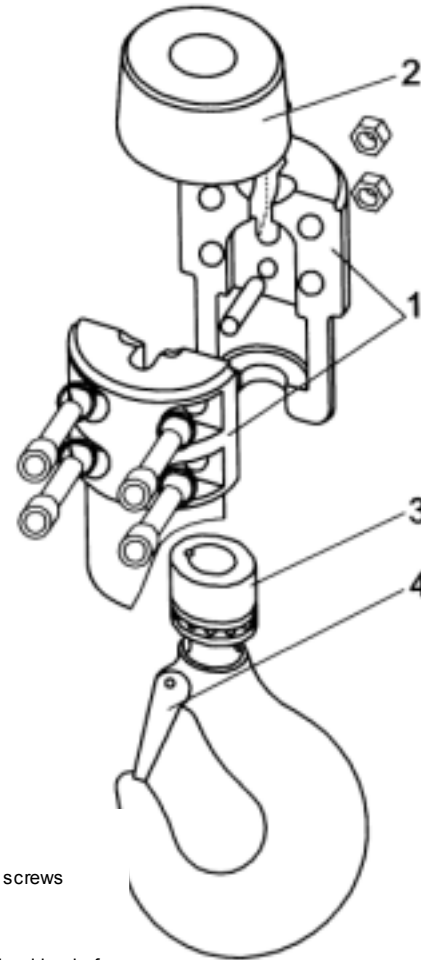
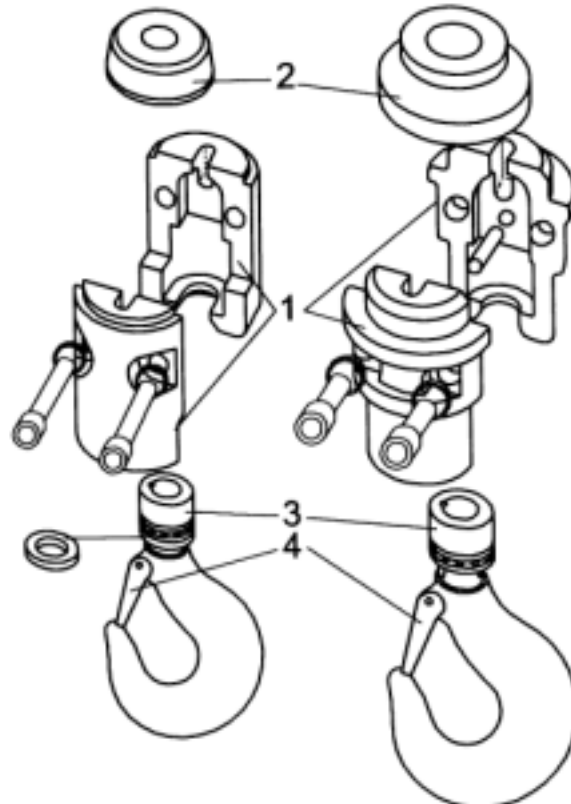
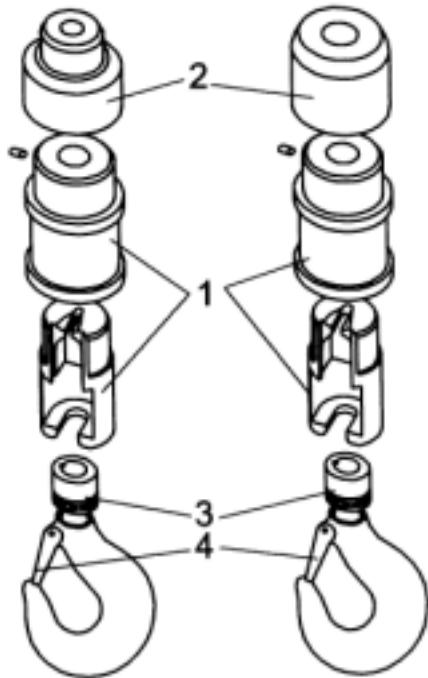
for version B4/00H,
B4.1/00J, B4.2/00M, B5/00I,
B5.1/00K, B5AK/01I,
B4.1/00J, B4.2/00M,
B5.1/00K, B5.1AK/01K

for chain 9x27

for version B6/00L, B6/51L,
B7/00O, B6.1/00P, B7.1/00N,
B7.2/00T

for chain 11x31

for version B8.1/00R, B9.1/00S
for chain 11,3x31
for version B8.1/52R



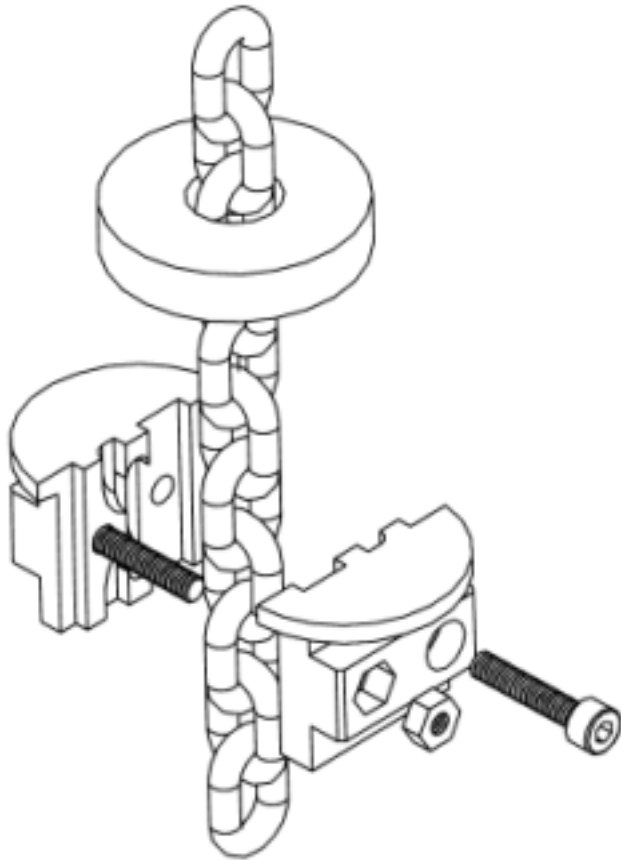
- No. 1 **Load hook bodies complete** consists from:
for single fall hook - chain dimension 4x12 and 5x15
for single fall hook - chain dimension 7x22
for single fall hook - chain dimension 9x27 and 11x31
load hook body, safety cap, threaded bolt
load hook body, cover for load hook body, hexagon socket cap screws
load hook bodies, hexagon socket cap screws
- No. 2 **Elastic rubber block** consists from:
for single fall hook - chain dimension 4x12 and 5x15 incl. washer of steel
- No. 3 **Load hook complete** consists from: load hook, safety latch, spring, hook nut, grooved pin, axial roller bearing, washer (only for load hooks for chain dimension 4x12, 5x15, 7x22), rivet
- No. 4 **Safety latch** consists from: safety latch, spring, rivet

Spare part list AJ - Single fall hook

No.:	Number	Designation	Order- No.: for chain 4x12 - capacity max. 250 kg B1/00A, B1/50A, B1AK/01A, B1.1/00B, B1.150B, B1.1/51B, B1.1AK/01B, B1.1AK/02B, B1.3/00C, B1.3/51C	Order- No.: for chain 5x15 and 5x18,5 capacity max. 250 kg B2/00D, 2/50D, B2/51D, B2/52D, B2/53D, B3/00G, B2AK/01D B2AK/02D B3AK/01G, B5AK/52I, B5/50I	Order- No.: for chain 7x22- capacity max. 1000 kg B4/00H, B4.1/00J, B4.2/00M, B5/00I, B5.1/00K, B5AK/01I, B4.1/00J, B4.2/00M, B5.1/00K, B5.1AK/01K	Order- No.: for chain 9x27- capacity max. 1600 kg B6/00L, B6/51L, B7/00O, B6.1/00P, B7.1/00N, B7.2/00T	Order- No.: for chain 11x31- capacity: 2500 kg B8.1/00R, B9.1/00S, B8.1/52R
	1	Single fall hook complete	AJ 01 15 2 00B 000/1 consists from Pos. 1-3	AJ 01 15 2 00D 000/1 consists from Pos. 1-3	AJ 01 15 2 00J 000/1 consists from Pos. 1-3	Produced since 12/2004; Factory no. 409100 AJ 01 15 2 090 05 000/0 consists from Pos. 1-3	AJ 01 15 2 00R 000/0 consists from Pos. 1-3
1	1	Load hook bodies complete consists from:	AJ 01 15 2 00B 001/1 1 Load hook body 1 Safety cap 1 Threaded bolt M8x16 DIN 913	AJ 01 15 2 00D 001/1 1 Load hook body 1 Safety cap 1 Threaded bolt M8x16 DIN 913	AJ 01 15 2 00J 001/1 1 Load hook body 1 Safety cap 2 Hex. Sock. cap screws M10x30 DIN 912 2 Spring washers 10,1 DIN 7980	Produced since 12/2004; Factory no. 409100 AJ 01 15 2 090 50 001/0 1 Load hook body 1 cap for load hook body 2 Hex. Sock. cap screws M12x30 2 Spring washers 12,1 DIN 7980	AJ 01 15 2 00R 001/1 2 Load hook bodies 1 Parallel pin 10m6x36 DIN 7 4 Hex. Sock. cap screws M12x50 DIN 912 4 Hexagon nuts M12 DIN 934 4 Spring washers 12,1 DIN 7980
2	1	Elastic rubber block	AJ 01 35 00015 00400 (with washer of steel) In production since 1991	AJ 01 35 00015 00500 (with washer of steel)	AJ 01 35 00015 00700	Produced till 11/2004 Produced since 12/2004; Factory no. 409100 AJ 01 35 00015 00900 AJ 01 35 00015 00901	AJ 01 35 00015 01100
3	1	Load hook complete consists from:	AJ 01 15 2 00B 002/1 1 Load hook PST 012 (Ø12 with washer of steel) 1 Safety latch 1 Spring 1 Hook nut 1 Grooved pin 4x8 DIN 1471 1 Axial roller bearing 1 Washer 13 DIN 1440 1 Rivet 3x20 DIN 6791 In production since 1997		AJ 01 15 2 00J 002/0 1 Load hook PST 025 (Ø17 with washer of steel) 1 Safety latch 1 Spring 1 Hook nut 1 Grooved pin 4x8 DIN 1471 1 Axial roller bearing 1 Washer 18 DIN 1440 1 Rivet 3x20 DIN 6791 In production since 1995	Produced till 11/2004 Produced since 12/2004; Factory no. 409100 AJ 01 20 2 00J 002/0 1 Load hook PST05 (Ø20) 1 Safety latch 1 Spring 1 Hook nut 1 Axial roller bearing 1 Rivet 4x30 DIN 6791 AJ 01 20 2 090 50 002/0 1 Load hook PST05 (Ø20) 1 Washer 1 Safety latch 1 Spring 1 Hook nut 1 Axial roller bearing 1 Rivet 4x30 DIN 6791	AJ 01 20 2 00P 002/0 1 Load hook PST1 1 Safety latch 1 Spring 1 Hook nut 1 Axial roller bearing 1 Rivet 4x30 DIN 6791
4	1	Safety latch consists from:	AJ 01 15 2 00B 003/0 1 Safety latch 1 Spring 1 Rivet 3x20 DIN 6791 In production since 1993	AJ 01 15 2 00B 003/0 1 Safety latch 1 Spring 1 Rivet 3x20 DIN 6791 In production since 1990	AJ 01 20 2 00B 003/0 1 Safety latch 1 Spring 1 Rivet 3x20 DIN 6791 In production since 1993	AJ 01 20 2 00J 003/0 1 Safety latch 1 Spring 1 Rivet 4x30 DIN 6791 In production since 1994	AJ 01 20 2 00P 003/0 1 Safety latch 1 Spring 1 Rivet 4x30 DIN 6791

Example for order: **AJ 01 15 2 00B 001/1** for load hook bodies complete for single fall hook 250 kg for chain dimension 4x12

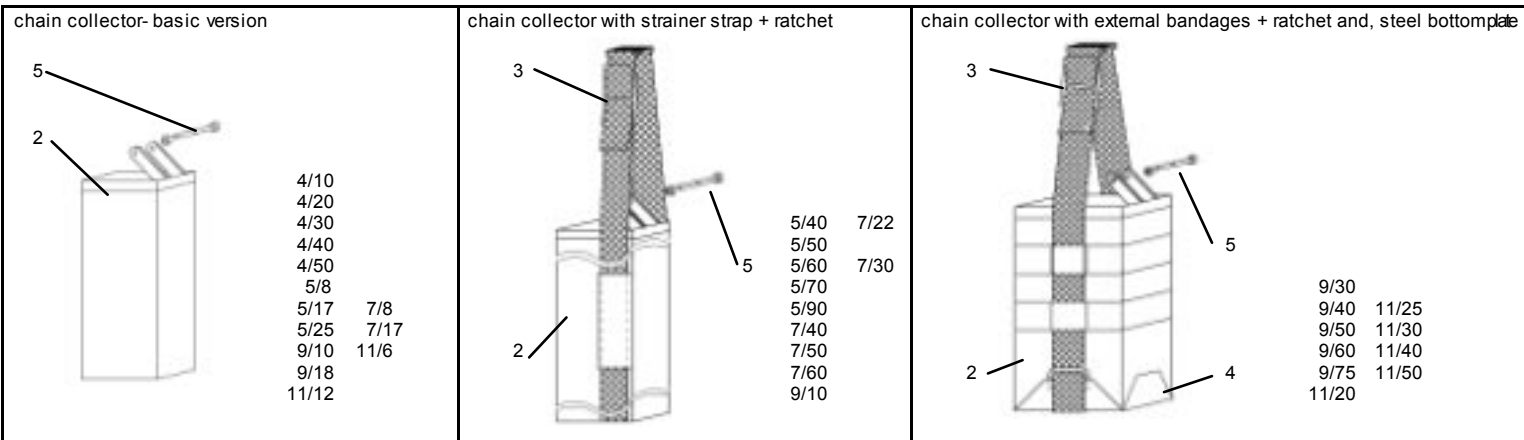
Spare part list AK – dead end stopper



No.:	Number	Designation	Order-No.: for chain dimension 4x12 - B1/00A, B1/50A, B1AK/01A B1.1/00B, B1.150B, B1.1/51B, B1.1AK/01B, B1.1AK/02B, B1.3/00C, B1.3/51C	Order-No.: for chain dimension 5x15- B2/00D, B2/50D, B2/51D, B2/52D, B2/53D, B3/00G, B2AK/01D, B2AK/02D, B3AK/01G, B5AK/52I	Order-No.: for chain dimension 7x22- B4/00H, B4.1/00J, B4.2/00M, B5/00I, B5/50I, B4.1/00J, B4.2/00M, B5.1/00K, B5.1AK/01K	Order-No.: for chain dimension 9x27- B6/00L, B6/51L, B7/00O, B7.2/00T, B6.1/00P, B7.1/00N	Order-No.: for chain dimension 11x31- B8.1/00R, B9.1/00S for chain dimension 11,3x31- B8.1/52R
1	1	Dead end stopper complete consists from:	AK 01 01 2 00A 010/0 Two halves of dead end stop AK01 53 01011 00100 1 Elastic rubber washer AK01 35 00008 38012 2 Hex. sock. cap screws M4x20 DIN 912 AK01 72 00912 04020 2 Hexagon nut M4 DIN 934 AK01 57 00934 00004	AK 01 01 2 00D 010/0 Two halves of dead end stop AK01 01 0 00D 010/1 1 Elastic rubber washer AK01 35 00008 44016 2 Hex. sock. cap screws M5x25 DIN 912 AK01 72 00912 05025 2 Spring washers 5,1 DIN 7980 AK01 64 07980 00005	AK 01 01 2 00H 010/0 Two halves of dead end stop AK01 01 0 00H 010/0 1 Elastic rubber washer with washer of steel AK01 35 00016 50022 2 Hex. sock. cap screws M6x25 DIN 912 AK01 72 00912 06025 2 Spring washers 6,1 DIN 7980 AK01 64 07980 00006	AK 01 01 2 00L 010/1 Two halves of dead end stop AK01 01 0 00L 010/1 1 Elastic rubber washer with washer of steel AK01 35 00016 56528 1 Hex. sock. cap screw M8x40 DIN 912 AK01 72 00912 08040 1 Hexagon nut M8 DIN 985 AK01 57 00985 00008	AK 01 01 2 00R 010/1 Two halves of dead end stop AK01 01 0 00R 010/1 2 Elastic rubber washer AK01 35 00008 80036 2 Hex. sock. cap screws M10x55 DIN 912 AK01 72 00912 10055 2 Hexagon nuts M10 DIN 985 AK01 57 00985 00010

Example for order: **AK 01 01 2 00A 010/0** dead end stopper complete for chain dimension 4x12

Spare part list AL - chain collector



- No. 1 Chain collector complete with suspension bracket fastening set
- No. 2 Chain collector canvas bucket only
- No. 3 Strainer strap with edge protector and ratchet
- No. 4 Steel bottom plate
- No. 5 Fastening set

For replacement of big chain bags containing a high quantity of chain a strain relief is required. The bags incorporate a strainer strap with a ratchet. For fixed suspension the user has to provide a suspension point for the strap with the steel structure. If the hoist is suspended at a trolley the special tandem trolley to suspend the strain relief has to be ordered.
See spare part list section BG – tandem trolley for oversized chain collector

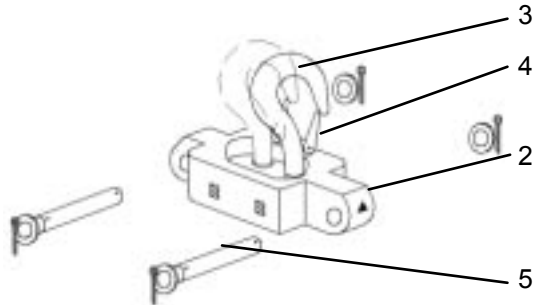


chain collector - type	max. contents of suitable chain dimensions	for version	layout	chain collector complete (no.1)	chain collector canvas (no.2) consists from: • canvas bag • suspension bracket • plastic bottom plate	strainer strap complete (no.3) consists from: • strainer strap • ratchet • edge protector	steel bottom plate (no.4)	fastening set (no.5)
4/10	10 m - 4x12	B1/00A, B1/50A	basic version	AL 01 30 2 10A 000/0	AL 01 30 2 10A 002/0	-	-	AL 01 01 3 00A 207/0
4/20	20 m - 4x12	B1AK/01A	basic version	AL 01 30 2 20A 000/0	AL 01 30 2 20A 002/0	-	-	consists from:
4/30	30 m - 4x12	B1.1/00B, B1.1/50B, B1.1/51B	basic version	AL 01 30 2 30A 000/0	AL 01 30 2 30A 002/0	-	-	1 hexagon head screw M5x46
4/40	40 m - 4x12	B1.1AK/01B, B1.1AK/02B	basic version	AL 01 30 2 40A 000/0	AL 01 30 2 40A 002/0	-	-	DIN 931
4/50	50 m - 4x12	B1.3/00C, B1.3/50C, B1.3/51C	basic version	AL 01 30 2 50A 000/0	AL 01 30 2 50A 002/0	-	-	1 nutM6 din 985
5/8	8 m - 5x15	B2/00D, B2/50D, B2/51D,	basic version	AL 01 30 2 10D 000/0	AL 01 30 2 10D 002/0	-	-	AL 01 01 3 00D 207/0
5/17 7/8	17 m - 5x15 8 m - 7x22	B2/52D, B2/53D	basic version	AL 01 30 2 20D 000/0	AL 01 30 2 20D 002/0	-	-	consists from:
5/25 7/17	25 m - 5x15 17 m - 7x22	B2AK/01D, B2AK/02D	basic version	AL 01 30 2 30D 000/0	AL 01 30 2 30D 002/0	-	-	1 hexagon head screw M6x62
5/40 7/22	40 m - 5x15 22 m - 7x22	B3/00G	strainer strap + ratchet	AL 01 30 2 40D 000/0	AL 01 30 2 40D 002/0	AL 01 30 2 40D 012/0	-	DIN 931
5/50	50 m - 5x15	B3AK/01G	strainer strap + ratchet	AL 01 30 2 50D 000/0	AL 01 30 2 50D 002/0	AL 01 30 2 50D 012/0	-	1 nutM6 DIN 985
5/60 7/30	60 m - 5x15 30 m - 7x22	B4/00H	strainer strap + ratchet	AL 01 30 2 60D 000/0	AL 01 30 2 60D 002/0	AL 01 30 2 60D 012/0	-	
5/70	70 m - 5x15	B5/00I, B5/50I	strainer strap + ratchet	AL 01 30 2 70D 000/0	AL 01 30 2 70D 002/0	AL 01 30 2 70D 012/0	-	
5/90	90 m - 5x15	B5AK/01I, B5AK/52I	strainer strap + ratchet	AL 01 30 2 80D 000/0	AL 01 30 2 80D 002/0	AL 01 30 2 80D 012/0	-	
7/40	40 m - 7x22	B4.1/00J	strainer strap + ratchet	AL 01 30 2 10H 000/0	AL 01 30 2 10H 002/0	AL 01 30 2 10H 012/0	-	
7/50	50 m - 7x22	B4.2/00M	strainer strap + ratchet	AL 01 30 2 20H 000/0	AL 01 30 2 20H 002/2	AL 01 30 2 20H 012/0	-	
7/60	60 m - 7x22	B5.1/00K	strainer strap + ratchet	AL 01 30 2 30H 000/0	AL 01 30 2 30H 002/2	AL 01 30 2 30H 012/0	-	
9/10 11/6	10 m - 9x27 6 m - 11x31		basic version	AL 01 30 2 10L 000/0	AL 01 30 2 10L 002/0	-	-	
9/18	18 m - 9x27		basic version	AL 01 30 2 20L 000/0	AL 01 30 2 20L 002/0	-	-	AL 01 01 3 00L 207/0
9/30	30 m - 9x27		external bandages+ ratchet and steel bottom	AL 01 30 2 30L 000/0	AL 01 30 2 30L 002/0	AL 01 30 2 30L 012/0	-	consists from:
9/40 11/25	40 m - 9x27 25 m - 11x31	B6/00L, B6/51L	external bandages+ ratchet and steel bottom	AL 01 30 2 40R 000/0	AL 01 30 2 40R 002/0	AL 01 30 2 40R 012/0	-	1 hexagon head screw M8x70
9/50 11/30	50 m - 9x27 30 m - 11x31	B7/00O	external bandages+ ratchet and steel bottom	AL 01 30 2 50R 000/0	AL 01 30 2 50R 002/0	AL 01 30 2 50R 012/0	AL 01 30 2 30L 014/0	DIN 931
9/60 11/40	60 m - 9x27 40 m - 11x31	B6.1/00P B7.1/00N B7.2/00T	external bandages+ ratchet and steel bottom	AL 01 30 2 60R 000/0	AL 01 30 2 60R 002/0	AL 01 30 2 60R 012/0	-	1 hexagon nutM8 DIN 985
9/75 11/50	75 m - 9x27 50 m - 11x31	B8.1/00R, B8.1/52R B8.2/50U B9.1/00S	external bandages+ ratchet and steel bottom	AL 01 30 2 70R 000/0	AL 01 30 2 70R 002/0	AL 01 30 2 70R 012/0	-	
11/12	12 m - 11x31		basic version	AL 01 30 2 20R 000/0	AL 01 30 2 20R 002/0	-	-	-
11/20	20 m - 11x31		external bandages+ ratchet and steel bottom	AL 01 30 2 30R 000/0	AL 01 30 2 30R 002/0	AL 01 30 2 30R 012/0	AL 01 30 2 30L 014/0	AL 01 01 3 00L 207/0

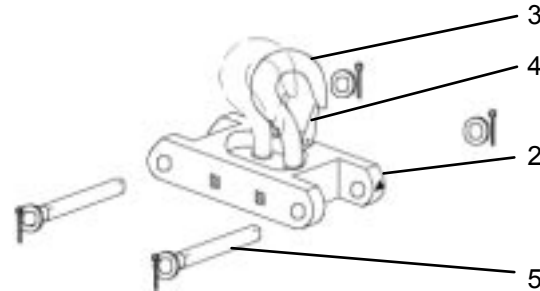
Example for order: AL 01 30 2 40R 000/0 chain collector 9/40 respectively 11/25 complete with external bandages, ratchet and steel bottom for chain max. 40m 9x27 respectively 25m 11x31

Spare part list AM – hook suspension

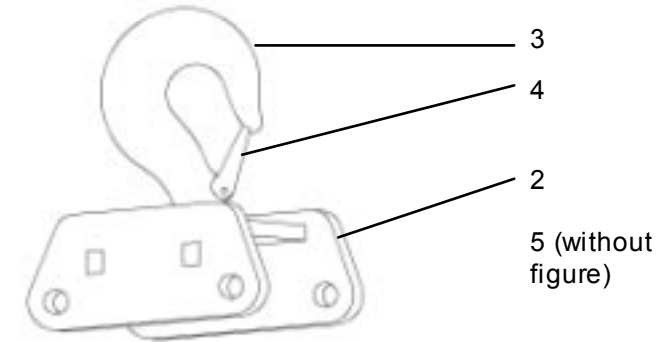
for chain dimension 4x12 and 5x15



for chain dimension 7x22 and 9x27



for chain dimension 11x31



- No. 1 **Hook suspension complete** consists from: Pos. 2-5
- No. 2 **Traverse**
- No. 3 **Load hook complete** consists from: load hook, safety latch, spring, rivet, hook nut, grooved pin
- No. 4 **Safety latch** consists from: safety latch, spring, rivet
- No. 5 **Bolts complete** consists from: bolts, washers, splint pin pins

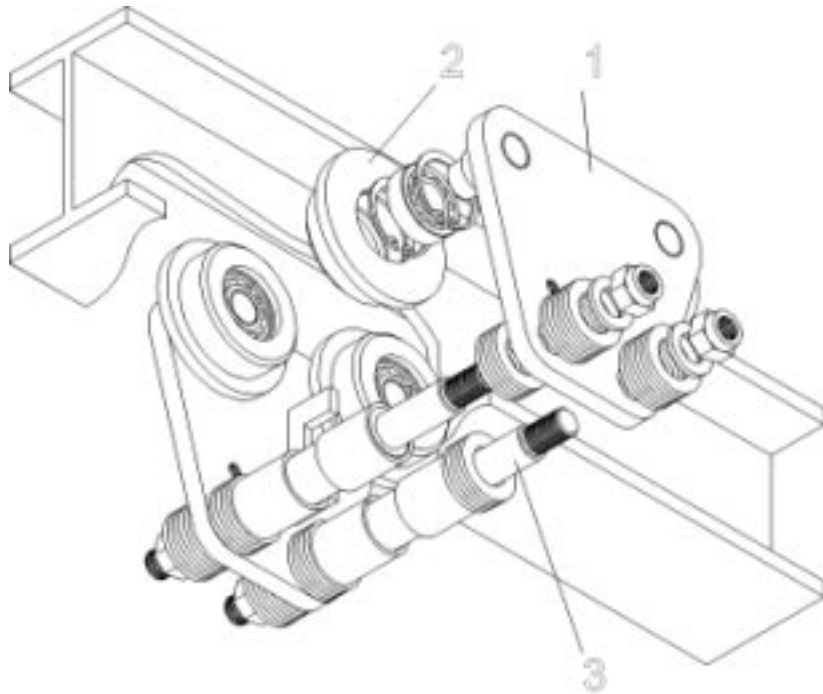
No.:	Number	Designation	Order- No.: HA 250/500 for chain 4x12 B1/00A, B1/50A, B1AK/01A B1.1/00B, B1.150B, B1.1/51B, B1.1AK/01B, B1.1AK/02B, B1.3/00C, B1.3/51C	Order- No.: HA 250/500 for chain 5x15 B2/00D, B2/50D, B2/51D, B2/52D, B2/53D, B3/00G, B2AK/01D, B2AK/02D, B3AK/01G	Order- No.: HA 500/1000 for chain 7x22 B4/00H, B5/00I, B5/50I, B5AK/01I	Order- No.: HA 1000/2000 for chain 7x22 B4.1/00J, B4.2/00M, B5.1/00K, B5.1AK/01K	Order- No.: HA 1000/2000 for chain 9x27 B6/00L, B6/51L, B7/00O, B7.2/00T	Order- No.: HA 1600/3200 for chain 9x27 B6.1/00P, B7.1/00N	Order- No.: HA 2500/5000 for chain 11x31 B8.1/00R, B8.1/52R, B9.1/00S
1	1	Hook suspension complete consists from:	AM 01 56 2 00B 000/0 1 Traverse 1 Load hook with safety latch 1 Hook nut with grooved pin 2 Bolts with washers and splintpins	AM 01 56 2 00D 000/0 1 Traverse 1 Load hook with safety latch 1 Hook nut with grooved pin 2 Bolts with washers and splintpins	AM 01 56 2 00H 000/2 1 Traverse 1 Load hook with safety latch 1 Hook nut with grooved pin 2 Bolts with washers and splintpins	AM 01 56 2 00J 000/2 1 Traverse 1 Load hook with safety latch 1 Hook nut with grooved pin 2 Bolts with washers and splintpins	AM 01 56 2 00L 000/0 1 Traverse 1 Load hook with safety latch 1 Hook nut with grooved pin 2 Bolts with washers and splintpins	AM 01 56 2 00P 000/0 1 Traverse 1 Load hook with safety latch 1 Hook nut with grooved pin 2 Bolts with washers and splintpins	AM 01 56 2 00R 000/0 1 Traverse 1 Load hook with safety latch 1 Hook nut with grooved pin 2 Bolts with washers and splintpins
2	1	Traverse	AM 01 56 0 00A 001/0	AM 01 56 0 00D 001/0	AM 01 56 0 00H 001/2	AM 01 56 0 00J 001/2	AM 01 56 0 00L 001/0	AM 01 56 0 00P 001/0	AM 01 56 2 00R 001/0
3	1	Load hook complete consists from:	AM 01 56 2 00B 002/0 1 Load hook RSN 025 1 Safety latch 1 Spring 1 Rivet 3x20 DIN 6791 1 Hook nut 1 Grooved pin 4x20 DIN 1471	AM 01 56 2 00H 002/0 1 Load hook RSN 05 1 Safety latch 1 Spring 1 Rivet 4x30 DIN 6791 1 Hook nut 1 Grooved pin 4x25DIN 1471	AM 01 56 2 00J 002/0 1 Load hook RSN 05 1 Safety latch 1 Spring 1 Rivet 4x30 DIN 6791 1 Hook nut 1 Grooved pin 4x25DIN 1471	AM 01 56 2 00L 002/0 1 Load hook RSN 1 1 Safety latch 1 Spring 1 Rivet 4x30 DIN 6791 1 Hook nut 1 Grooved pin 6x25DIN 1471	AM 01 56 2 00P 002/0 1 Load hook RSN 1 1 Safety latch 1 Spring 1 Rivet 4x30 DIN 6791 1 Hook nut 1 Grooved pin 6x25DIN 1471	AM 01 56 2 00R 002/0 1 Load hook RSN 2,5 1 Safety latch 1 Spring 1 Rivet 6x35 DIN 6791 1 Hook nut 1 Spring type straightpins 8x60 DIN 1481	
4	1	Safety latch consists from:	AM 01 20 2 00B 003/0 1 Safety latch 1 Spring 1 Rivet 3x20 DIN 6791	AM 01 20 2 00J 003/1 1 Safety latch 1 Spring 1 Rivet 4x30 DIN 6791	AM 01 20 2 00P 003/0 1 Safety latch 1 Spring 1 Rivet 4x30 DIN 6791	AM 01 20 2 00R 003/0 1 Safety latch 1 Spring 1 Rivet 6x35 DIN 6791	AM 01 20 3 00X 200/0 1 Safety cap 1 Spring 1 Pin		
5	2	Bolts complete consists from:	AM 01 56 3 00A 211/0 1 Bolts 12x70x58 DIN 1433 2 Washers 13 DIN 125 2 Splintpins 4x28 DIN 94	AM 01 56 3 00D 211/0 1 Bolts 12x75x62 DIN 1433 2 Washers 13 DIN 125 2 Splintpins 4x28 DIN 94	AM 01 56 3 00H 211/0 1 Bolts 14x100x89 DIN 1433 2 Washers 15 DIN 125 2 Splintpins 4x28 DIN 94	AM 01 56 3 00L 211/0 1 Bolts 18x130x114 DIN 1433 2 Washer 19 DIN 125 2 Splintpin pins 5x40 DIN 94	AM 01 56 2 00R 010/0 1 Bolts 22h11x130x115 2 Washers 23 DIN 125 2 Splintpin pins 5x40 DIN 94		

Example for order: **AM 01 56 2 00B 000/0** Hook suspension complete for version 1, 1AK, 1.1, 1.1AK, 1.1AK1, 1.3

For hoists produced prior 1997 lease provide distance and diameter of the suspension bolts at the hoist body.



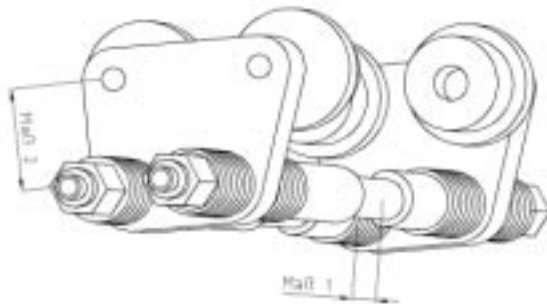
Spare part list BA – push trolley



- No. 1 **Side plate complete** consists from: side plate, 2 bolts for wheels, drop stop
- No. 2 **Wheel complete** consists from: wheel, roller bearing, retaining ring
- No. 3 **Suspension bolt complete** consists from: suspension bolt, 2 distance tubes, distance washers, 2 washers for nylocks, 2 nylocks

suspension eye will not be included in any trolley deliveries (see spare part list AG – suspension eye)

If spare parts for push trolleys produced to 1998 please confirm the following dimensions:



Dimension	Capacity 500 kg for version 1,1AK,1.1,1.1AK, 1.1AK1,1.3,2.2AK, 2AK1,3,3AK		Capacity 1000 kg for version 4,5,5AK		Capacity 2000 kg for version 4.1,4.2,5.1		Capacity 2000 kg for version 6,7,7.2		Capacity 3200 kg for version 6.1,7.1	
Dimension 1 suspension bolt										
Type N	Ø 25		Ø 28		Ø 28		Ø 32		Ø 32	
Type S1	Ø 25		Ø 32		Ø 32		Ø 35		Ø 35	
Type S2	Ø 25		Ø 35		Ø 35		Ø 40		Ø 40	
Dimension 2 distance between suspension bolts and wheel bolts (centre to centre)	74	94	85	105	85	105	112	127	112	127

Section 01 push trolley for type

No.:	Number	Designation	Order- No.: Capacity 500 kg for version B1/00A, B1/50A, B1AK/01A, B1.1/00B, B1.150B, B1.1/51B, B1.1AK/01B, B1.1AK/02B, B1.3/00C, B1.3/51C, B2/00D, B2/50D, B2/51D, B2/52D, B2/53D, B3/00G, B2AK/01D, B2AK/02D, B3AK/01G, B5AK/52I	Order- No.: Capacity 1000 kg for version B4/00H, B5/00I, B5/50I, B5AK/01I	Order- No.: Capacity 2000 kg for version B4.1/00J, B4.2/00M, B5.1/00K, B5.1AK/01K	Order- No.: Capacity 2000 kg for version B6/00L, B6/51L, B7/00O, B7.2/00T	Order- No.: Capacity 3200 kg for version B6.1/00P, B7.1/00N
1	2	Side plate complete (for type N,S1,S2) consists from:	BA 01 35 2 00A 001/1 1 Side plate 2 Bolts for wheels 1 Drop stop	BA 01 35 2 00H 001/1 1 Side plate 2 Bolts for wheels 1 Drop stop	BA 01 35 2 00J 001/1 1 Side plate 2 Bolts for wheels 1 Drop stop	BA 01 35 2 00L 001/1 1 Side plate 2 Bolts for wheels 1 Drop stop	BA 01 35 2 00P 001/1 1 Side plate 2 Bolts for wheels 1 Drop stop
2	4	Wheel complete (for type N,S1,S2) consists from:	BA 01 35 2 00A 010/1 1 Wheel <i>BA 01 35 0 00A 010/1</i> 1 Roller bearing <i>BA 01 96 06004 2Z000</i> 2 Retaining rings 42 DIN 472 <i>BA 01 64 00472 00042</i>			BA 01 35 2 00L 010/1 1 Wheel <i>BA 01 35 0 00L 010/1</i> 1 Roller bearing <i>BA 01 96 06305 2Z000</i> 2 Retaining rings 62 DIN 472 <i>BA 01 64 00472 00062</i>	

Suspension bolt for type N

3	2	Suspension bolt N complete consists from:	BA 01 35 2 00A 014/1 1 Suspension bolt <i>BA 01 35 0 00A 014/1</i> 2 Distance tubes <i>BA 01 35 0 00A 015/0</i> 20 Distance washers 21 DIN 125 <i>BA 01 70 00125 02100</i> 2 Washers 17 DIN 125 f.nylocks <i>BA 01 70 00125 01700</i> 2 Nylocks M16x1,5 DIN 985 <i>BA 01 57 00985 16015</i>	BA 01 35 2 00H 014/1 1 Suspension bolt <i>BA 01 35 0 00H 014/1</i> 2 Distance tubes <i>BA 01 35 0 00H 015/0</i> 24 Distance washers 23 DIN 125 <i>BA 01 70 00125 02300</i> 2 Washers 17 DIN 125 f.nylocks <i>BA 01 70 00125 01700</i> 2 Nylocks M16x1,5 DIN 985 <i>BA 01 57 00985 16015</i>	BA 01 35 2 00J 014/1 1 Suspension bolt <i>BA 01 35 0 00J 014/1</i> 2 Distance tubes <i>BA 01 35 0 00H 015/0</i> 248 Distance washers 23 DIN 125 <i>BA 01 70 00125 02300</i> 2 Washers 17 DIN 125 f.nylocks <i>BA 01 70 00125 01700</i> 2 Nylocks M16x1,5 DIN 985 <i>BA 01 57 00985 16015</i>	BA 01 35 2 00L 014/1 1 Suspension bolt <i>BA 01 35 0 00L 014/1</i> 2 Distance tubes <i>BA 01 35 0 00L 015/0</i> 20 Distance washers 26 DIN 126 <i>BA 01 70 00126 02600</i> 2 Washers 23 DIN 125 f.nylocks <i>BA 01 70 00125 02300</i> 2 Nylocks M22x1,5 DIN 985 <i>BA 01 57 00985 22015</i>	BA 01 35 2 00P 014/1 1 Suspension bolt <i>BA 01 35 0 00P 014/1</i> 2 Distance tubes <i>BA 01 35 0 00L 015/0</i> 16 Distance washers 39 DIN 126 <i>BA 01 70 00126 02600</i> 2 Washers 23 DIN 125 f.nylocks <i>BA 01 70 00125 02300</i> 2 Nylocks M22x1,5 DIN 985 <i>BA 01 57 00985 22015</i>

Suspension bolt for type S1

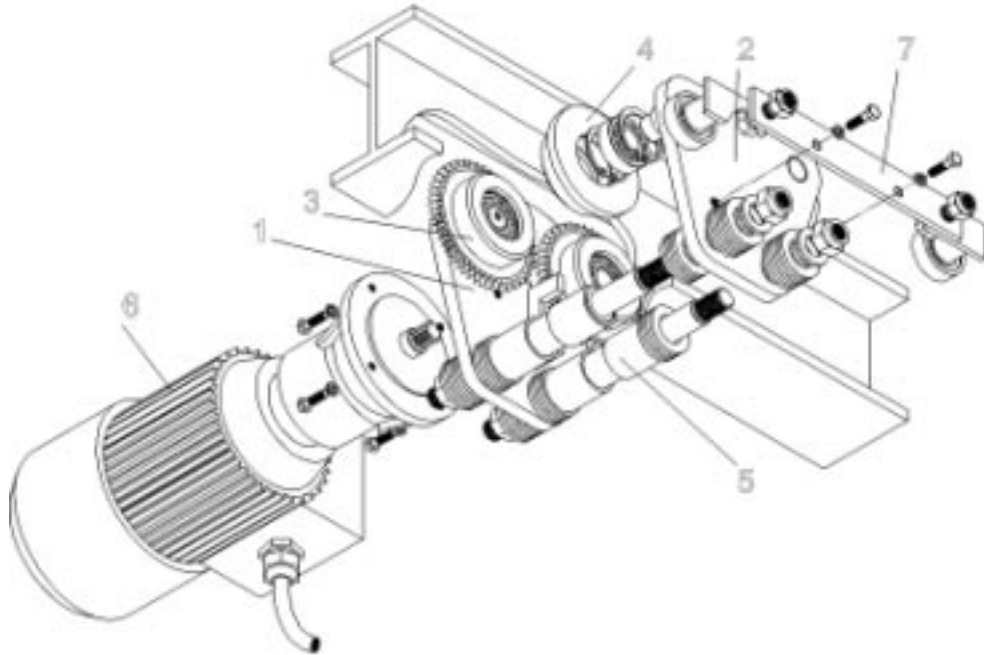
3	2	Suspension bolt S1 complete consists from:	BA 02 35 2 00A 014.1/1 1 Suspension bolt <i>BA 02 35 0 00A 014.1/1</i> 2 Distance tubes <i>BA 02 35 0 00A 015.1/0</i> 30 Distance washers 21 DIN 125 <i>BA 02 70 00125 02100</i> 2 Washers 17 DIN 125 f.nylocks <i>BA 02 70 00125 01700</i> 2 Nylocks M16x1,5 DIN 985 <i>BA 02 57 00985 16015</i>	BA 02 35 2 00H 014.1/1 1 Suspension bolt <i>BA 02 35 0 00H 014.1/1</i> 2 Distance tubes <i>BA 01 35 0 00H 015.1/0</i> 28 Distance washers 23 DIN 125 <i>BA 02 70 00125 02300</i> 2 Washers 17 DIN 125 f.nylocks <i>BA 02 70 00125 01700</i> 2 Nylocks M16x1,5 DIN 985 <i>BA 02 57 00985 16015</i>	BA 02 35 2 00J 014.1/1 1 Suspension bolt <i>BA 02 35 0 00J 014.1/1</i> 2 Distance tubes <i>BA 02 35 0 00H 015.1/0</i> 28 Distance washers 23 DIN 125 <i>BA 02 70 00125 02300</i> 2 Washers 17 DIN 125 f.nylocks <i>BA 02 70 00125 01700</i> 2 Nylocks M16x1,5 DIN 985 <i>BA 02 57 00985 16015</i>	BA 02 35 2 00L 014.1/1 1 Suspension bolt <i>BA 02 35 0 00L 014.1/1</i> 2 Distance tubes <i>BA 02 35 0 00H 015.1/0</i> 20 Distance washers 26 DIN 126 <i>BA 02 70 00126 02600</i> 2 Washers 23 DIN 125 f.nylocks <i>BA 02 70 00125 02300</i> 2 Nylocks M22x1,5 DIN 985 <i>BA 02 57 00985 22015</i>	BA 02 35 2 00P 014.1/1 1 Suspension bolt <i>BA 02 35 0 00P 014.1/1</i> 2 Distance tubes <i>BA 02 35 0 00L 015.1/0</i> 16 Distance washers 39 DIN 126 <i>BA 02 70 00126 02600</i> 2 Washers 23 DIN 125 f.nylocks <i>BA 02 70 00125 02300</i> 2 Nylocks M22x1,5 DIN 985 <i>BA 02 57 00985 22015</i>

Suspension bolt for type S2

3	2	Suspension bolt S2 complete consists from:	BA 03 35 2 00A 014.2/1 1 Suspension bolt <i>BA 03 35 0 00A 014.2/1</i> 2 Distance tubes <i>BA 03 35 0 00A 015.2/0</i> 30 Distance washers 21 DIN 125 <i>BA 03 70 00125 02100</i> 2 Washers 17 DIN 125 f.nylocks <i>BA 03 70 00125 01700</i> 2 Nylocks M16x1,5 DIN 985 <i>BA 03 57 00985 16015</i>	BA 03 35 2 00H 014.2/1 1 Suspension bolt <i>BA 03 35 0 00H 014.2/1</i> 2 Distance tubes <i>BA 03 35 0 00H 015.2/0</i> 28 Distance washers 23 DIN 125 <i>BA 03 70 00125 02300</i> 2 Washers 17 DIN 125 f.nylocks <i>BA 03 70 00125 01700</i> 2 Nylocks M16x1,5 DIN 985 <i>BA 03 57 00985 16015</i>	BA 03 35 2 00J 014.1/1 1 Suspension bolt <i>BA 03 35 0 00J 014.2/1</i> 2 Distance tubes <i>BA 03 35 0 00H 015.2/0</i> 28 Distance washers 23 DIN 125 <i>BA 03 70 00125 02300</i> 2 Washers 17 DIN 125 f.nylocks <i>BA 03 70 00125 01700</i> 2 Nylocks M16x1,5 DIN 985 <i>BA 03 57 00985 16015</i>	BA 03 35 2 00L 014.2/1 1 Suspension bolt <i>BA 03 35 0 00L 014.2/1</i> 2 Distance tubes <i>BA 03 35 0 00L 015.2/0</i> 22 Distance washers 26 DIN 126 <i>BA 03 70 00126 02600</i> 2 Washers 23 DIN 125 f.nylocks <i>BA 03 70 00125 02300</i> 2 Nylocks M22x1,5 DIN 985 <i>BA 03 57 00985 22015</i>	BA 03 35 2 00P 014.2/1 1 Suspension bolt <i>BA 03 35 0 00P 014.2/1</i> 2 Distance tubes <i>BA 03 35 0 00L 015.2/0</i> 16 Distance washers 39 DIN 126 <i>BA 03 70 00126 02600</i> 2 Washers 23 DIN 125 f.nylocks <i>BA 03 70 00125 02300</i> 2 Nylocks M22x1,5 DIN 985 <i>BA 03 57 00985 22015</i>

Example for Order: **BA 01 35 2 00A 014/1** Section suspension bolt complete for push trolley 500 kg for versions 1-3

Spare part list BC – motorised trolley



suspension eye will not be include in any trolley motor trolley deliveries (see spare part list AG – suspension eye)

If spare parts for motorised trolleys produced to 1998 please confirm the following dimensions:

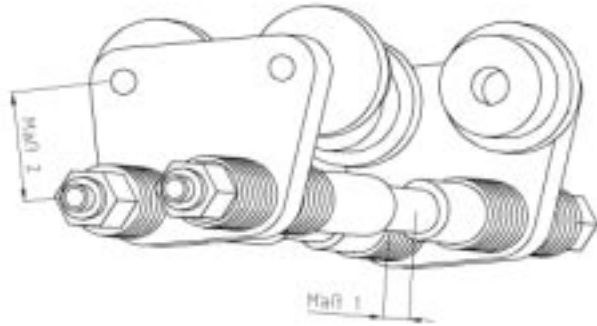
Dimension	Capacity 500 kg for version		Capacity 1000 kg for version		Capacity 2000 kg for version		Capacity 2000 kg for version		Capacity 3200 kg for version	
	1,1,1,1,3,2,3	2,3	4,5		4,1,4,2,5,1		6,7,7,2		6,1,7,1	
Dimension 1 suspension bolt										
Type N	Ø 25		Ø 28		Ø28		Ø32		Ø32	
Type S1	Ø 25		Ø 32		Ø32		Ø35		Ø35	
Type S2	Ø 25		Ø 35		Ø35		Ø40		Ø40	
Dimension 2 distance between suspension bolts and wheel bolts (centre to centre)	74	94	85	105	85	105	112	127	112	127

Motorised trolleys with one speed

- No. 1 **Motor side plate complete** consists from: side plate, 2 bolts for wheels, drop stop
- No. 2 **Side plate without motor complete** consists from: side plate, 2 bolts for wheels, drop stop
- No. 3 **Geared wheel complete** consists from: wheel, roller bearing, retaining ring
- No. 4 **Ungeared wheel complete** consists from: wheel, roller bearing, retaining ring
- No. 5 **Suspension bolt complete** consists from: suspension bolt, 2 distance tubes, distance washers, 2 washers for nylocks, 2 nylocks
- No. 6 **Trolley motor complete** consists from: pinion with rotor unit, stator with bearing plates and fastening set, brake unit complete, end cap for brake unit and all fastening set items

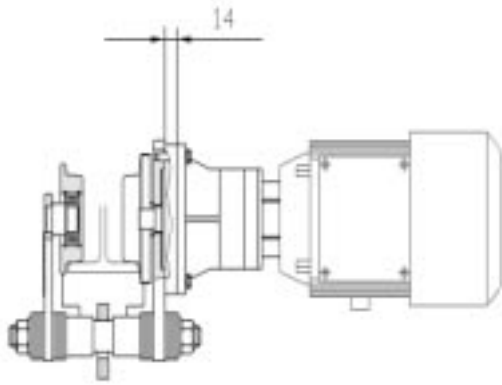
Motorised trolleys with two speeds

- No. 1 **Motor side plate complete** consists from: side plate, 2 bolts for wheels, drop stop
- No. 2 **Side plate without motor complete** consists from: side plate, 2 bolts for wheels, drop stop
- No. 3 **Geared wheel complete** consists from: wheel, roller bearing, retaining ring
- No. 4 **Ungeared wheel complete** consists from: wheel, roller bearing, retaining ring
- No. 5 **Suspension bolt complete** consists from: suspension bolt, 2 distance tubes, distance washers, 2 washers for nylocks, 2 nylocks
- No. 6 **Trolley motor complete** consists from: motor with brake unit pinion and all fastening item



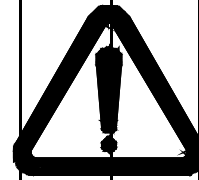
(figure without travelling motor)

If going to order side plate or travelling motors for double speed trolleys produced prior to 1998 please confirm the dimension 14 shown in the figure below:



For single speed trolleys produced prior to 1998 brake parts can supplied as long as available in current stock. If not available the rotor and brake unit have to be changed.

Dimension	Capacity 500 kg for version 1.1.1,1.1.3.2,3	Capacity 1000 kg for version 4,5	Capacity 2000 kg for version 4.1,4.2.5.1	Capacity 2000 kg for version 6,7,7.2	Capacity 3200 kg for version 6.1,7.1					
Dimension 1 suspension bolt type Type S1 Type S2	Ø 25 Ø 25	Ø 25 Ø 32 Ø 35	Ø 25 Ø 32 Ø 35	Ø 32 Ø 35 Ø 40	Ø 32 Ø 35 Ø 40					
Dimension 2 distance between suspension bolts and wheel bolts (centre to centre)	74	94	85	105	85	105	112	127	112	127



Section 01 Motorised trolley

No:	Number	Designation	Order- No.: Capacity 500 kg for version B1/00A, B1/50A, B1.1/00B, B1.150B, B1.1/51B, B1.3/00C, B1.3/51C, B2/00D, B2/50D, B2/51D, B2/52D, B2/53D, B3/00G	Order- No.: Capacity 1000 kg for version B4/00H, B5/00I, B5/50I	Order- No.: Capacity 2000 kg for version für B4.1/00J, B4.2/00M, B5.1/00K	Order- No.: Capacity 2000 kg for version B6/00L, B6/51L, B7/00O, B7.2/00T	Order- No.: Capacity 3200 kg for version B6.1/00P, B7.1/00N	Order- No.: Capacity 5000 kg for version B8.1/00R, B9.1/00S, B8.1/52R
1	1	Motor side plate complete consists from:	f. motor trolley with one travelling speed BC 01 39 2 00A 006/1 1 Side plate 2 Bolts for wheels 1 Drop stop	f. motor trolley with one travelling speed BC 01 39 2 00H 006/1 1 Side plate 2 Bolts for wheels 1 Drop stop	f. motor trolley with one travelling speed BC 01 39 2 00J 006/1 1 Side plate 2 Bolts for wheels 1 Drop stop	f. motor trolley with one travelling speed BC 01 39 2 00L 006/1 1 Side plate (casting) 2 Bolts for wheels BC 01 39 0 00L 003/1 1 Pinion 1 Feather key B5x5x10 DIN 6885 1 Retaining ring 14 DIN 471 1 Retaining ring 15 DIN 471	f. motor trolley with one travelling speed BC 01 39 2 00P 006/1 1 Side plate (casting) 2 Bolts for wheels BC 01 39 0 00P 003/1 1 Pinion 1 Feather key B5x5x10 DIN 6885 1 Retaining ring 14 DIN 471 1 Retaining ring 15 DIN 471	BC 01 39 2 00R 006/0 1 Side plate 2 Bolts for wheels 1 Drop stop

			f. motor trolley with two travelling speeds BC 01 39 2 00A 020/1 1 Side plate 2 Bolts for wheels 1 Drop stop	f. motor trolley with two travelling speeds BC 01 39 2 00H 020/1 1 Side plate 2 Bolts for wheels 1 Drop stop	f. motor trolley with two travelling speeds BC 01 39 2 00J 020/1 1 Side plate 2 Bolts for wheels 1 Drop stop	f. motor trolley with two travelling speeds BC 01 39 2 00L 020/1 1 Side plate 2 Bolts for wheels 1 Drop stop	f. motor trolley with two travelling speeds BC 01 39 2 00P 020/1 1 Side plate 2 Bolts for wheels 1 Drop stop	
2	1	Side plate without motor complete consists from:	BA 01 35 2 00A 001/1 1 Side plate 2 Bolts for wheels 1 Drop stop	BA 01 35 2 00H 001/1 1 Side plate 2 Bolts for wheels 1 Drop stop	BA 01 35 2 00J 001/1 1 Side plate 2 Bolts for wheels 1 Drop stop	BA 01 35 2 00L 001/1 1 Side plate 2 Bolts for wheels 1 Drop stop	BA 01 35 2 00P 001/1 1 Side plate 2 Bolts for wheels 1 Drop stop	BA 01 35 2 00R 001/1 1 Side plate 2 Bolts for wheels 1 Drop stop

No:	Number	Designation	Order No.: Capacity 500 kg for version B1/00A, B1/50A, B1.1/00B, B1.150B, B1.1/51B, B1.3/00C, B1.3/51C, B2/00D, B2/50D, B2/51D, B2/52D, B2/53D, B3/00G	Order No.: Capacity 1000 kg for version B4/00H, B5/00I, B5/50I	Order No.: Capacity 2000 kg for version B4.1/00J, B4.2/00M, B5.1/00K	Order No.: Capacity 2000 kg for version B6/00L, B6/51L, B7/00O, B7.2/00T	Order No.: Capacity 3200 kg for version B6.1/00P, B7.1/00N	Order No.: Capacity 5000 kg for version B8.1/00R, B9.1/00S, B8.1/52R	
3	2	Geared wheel complete (for type N, S1, S2) consists from:	BC 01 39 2 00A 011/1 1 Wheel <i>BC 01 39 0 00A 011/1</i> 1 Roller bearing 6004 2Z <i>BA 01 96 06004 2Z000</i> 2 Retaining rings 42 DIN 472 <i>BA 01 64 00472 00042</i>	BC 01 39 2 00H 011/1 1 Wheel <i>BC 01 39 0 00H 011/1</i> 1 Roller bearing 6004 2Z <i>BA 01 96 06004 2Z000</i> 2 Retaining rings 42 DIN 472 <i>BA 01 64 00472 00042</i>		BC 01 39 2 00L 011/1 1 Wheel <i>BC 01 39 0 00L 011/1</i> 1 Roller bearing 6305 2Z <i>BA 01 96 06305 2Z000</i> 2 Retaining rings 62 DIN 472 <i>BA 01 64 00472 00062</i>		BC 01 39 2 00R 011/0 1 Wheel <i>BC 01 39 0 00R 011/0</i> 1 Roller bearing 6307 2RS <i>BA 01 96 06307 2RS00</i> 2 Retaining rings 80 DIN 472 <i>BA 01 64 00472 00080</i>	
4	2	Ungeared wheel complete (for type N, S1, S2) consists from:		BA 01 35 2 00A 010/1 1 Wheel <i>BA 01 35 0 00A 010/1</i> 1 Roller bearing 6004 2Z <i>BA 01 96 06004 2Z000</i> 2 Retaining rings 42 DIN 472 <i>BA 01 64 00472 00042</i>		BA 01 35 2 00L 010/1 1 Wheel <i>BA 01 35 0 00L 010/1</i> 1 Roller bearing 6305 2Z <i>BA 01 96 06305 2Z000</i> 2 Retaining rings 62 DIN 472 <i>BA 01 64 00472 00062</i>		BA 01 35 2 00R 010/0 1 Wheel <i>BA 01 39 0 00R 010/0</i> 1 Roller bearing 6307 2RS <i>BA 01 96 06307 2RS00</i> 2 Retaining rings 80 DIN 472 <i>BA 01 64 00472 00080</i>	
6	1	Trolley motor complete for motorised trolley with one speed (for type N, S1, S2) consists from:	for speed 16 m/min BC 01 43 2 00A 000/2 1 Pinion (Motor shaft) 1 Rotor unit <i>BC 01 43 2 00A 003/2</i> 1 Stator 1 Bearing plate A 1 Bearing plate B Fastening set <i>BC 01 43 3 00A 219/1</i> 1 Brake unit complete <i>BC 01 20 70BFK 00205</i> 1 End cap for brake unit with gasket 3 Hexagon socket cap screws M4x25 DIN 912 <i>BC 01 43 2 00A 007/1</i> 1 Rectifier for motor brake <i>BC 01 20 00040 00051</i>			for speed 8 m/min BC 01 43 2 00A 000/2 1 Pinion (Motor shaft) 1 Rotor unit <i>BC 01 43 2 00A 003/2</i> 1 Stator 1 Bearing plate A 1 Bearing plate B Fastening set Motor-Bearing plate <i>BC 01 43 3 00A 219/1</i> 1 Brake unit complete <i>BC 01 20 70BFK 00205</i> 1 End cap for brake unit with gasket 3 Hexagon socket cap screws M4x25 DIN 912 <i>BC 01 43 2 00A 007/1</i> 1 Rectifier for motor brake <i>BC 01 20 00040 00051</i>	for speed 12 m/min BC 01 43 2 01A 000/2 1 Pinion (Motor shaft) 1 Rotor unit <i>BC 01 43 2 01A 004/2</i> 1 Stator 1 Bearing plate A 1 Bearing plate B Fastening set Motor-Bearing plate <i>BC 01 43 3 00A 220/1</i> 1 Brake unit complete <i>BC 01 20 70BFK 00205</i> 1 End cap for brake unit with gasket 3 Hexagon socket cap screws M4x25 DIN 912 <i>BC 01 43 2 00A 007/1</i> 1 Rectifier for motor brake <i>BC 01 20 00040 00051</i>		
		Trolley motor complete for motorised trolley with two speeds	for speed 5+20 m/min BC 01 39 3 00A 221/1 1 Motor with pinion 1 Rectifier			for speed 3.5+16 m/min BC 01 39 3 00L 221/1 1 Motor with pinion 1 Rectifier		for speed 3.5+16 m/min BC 01 39 3 00R 221/1 Motor without pinion <i>BC 01 55 00040 00200</i>	

		(for type N, S1, S2) consists from:	BC 01 20 00040 000E2 4 Hexagon head screws M6x20 DIN 933 4 Spring rectifier rings 6,1 DIN 7980	BC 01 20 00040 000E2 4 Hexagon head screws M6x20 DIN 933 4 Spring rectifferrings 6,1 DIN 7980	1 Rectifier BC 01 20 00040 000E2 1 Pinion 1 Ultimate washer 1 Grooved pin 2x6 DIN 1472 1 Hexagon nut M6x16 DIN 933 1 Spring ring 6,1 DIN 7980 BC 01 39 2 00R 013.0
7	1	Counter wheels for motorised trolley complete (for type N, S1, S2) consists from:	BC 01 32 2 00A 000/0 1 section with fastening set	-	

Suspension bolt for type N

No:	Number	Designation	Order No.: Capacity 500 kg for version B1/00A, B1/50A, B1.1/00B, B1.150B, B1.1/51B, B1.3/00C, B1.3/51C, B2/00D, B2/50D, B2/51D, B2/52D, B2/53D, B3/00G	Order No.: Capacity 1000 kg for version B4/00H, B5/00I, B5/50I	Order No.: Capacity 2000 kg for version für B4.1/00J, B4.2/00M, B5.1/00K	Order No.: Capacity 2000 kg for version B6/00L, B6/51L, B7/00O, B7.2/00T	Order No.: Capacity 3200 kg for version B6.1/00P, B7.1/00N	Order No.: Capacity 5000 kg for version B8.1/00R, B9.1/00S, B8.1/52R
5	2	Suspension bolt N complete consists from:	BA 01 35 2 00A 014/1 1 Suspension bolt <i>BA 01 35 0 00A 014/1</i> 2 Distance tubes <i>BA 01 35 0 00A 015/0</i> 20 Distance washers 21 DIN 125 <i>BA 01 70 00125 02100</i> 2 Washers 17 DIN 125 <i>BA 01 70 00125 01700</i> 2 Nylocks M16x1.5 DIN 985 <i>BA 01 57 00985 16015</i>	BA 01 35 2 00H 014/1 1 Suspension bolt <i>BA 01 35 0 00H 014/0</i> 2 Distance tubes <i>BA 01 35 0 00H 015/0</i> 24 Distance washers 23 DIN 125 <i>BA 01 70 00125 02300</i> 2 Washers 17 DIN 125 <i>BA 01 70 00125 01700</i> 2 Nylocks M16x1.5 DIN 985 <i>BA 01 57 00985 16015</i>	BA 01 35 2 00J 014/1 1 Suspension bolt <i>BA 01 35 0 00J 014/0</i> 2 Distance tubes <i>BA 01 35 0 00H 015/0</i> 24 Distance washers 23 DIN 125 <i>BA 01 70 00125 02300</i> 2 Washers 17 DIN 125 <i>BA 01 70 00125 01700</i> 2 Nylocks M16x1.5 DIN 985 <i>BA 01 57 00985 16015</i>	BA 01 35 2 00L 014/1 1 Suspension bolt <i>BA 01 35 0 00L 014/1</i> 2 Distance tubes <i>BA 01 35 0 00L 015/0</i> 20 Distance washers 26 DIN 126 <i>BA 01 70 00126 02600</i> 2 Washers 23 DIN 125 <i>BA 01 70 00125 02300</i> 2 Nylocks M22x1.5 DIN 985 <i>BA 01 57 00985 22015</i>	BA 01 35 2 00P 014/1 1 Suspension bolt <i>BA 01 35 0 00P 014/1</i> 2 Distance tubes <i>BA 01 35 0 00L 015/0</i> 20 Distance washers 26 DIN 126 <i>BA 01 70 00126 02600</i> 2 Washers 23 DIN 125 <i>BA 01 70 00125 02300</i> 2 Nylocks M22x1.5 DIN 985 <i>BA 01 57 00985 22015</i>	BA 01 39 2 00R 014/1 1 Suspension bolt <i>BA 01 39 0 00R 014/1</i> 2 Distance tubes <i>BA 01 39 0 00R 015/0</i> 16 Distance washers 39 DIN 126 <i>BA 01 70 00126 03900</i> 2 Washers 37 DIN 125 <i>BA 01 70 00125 03700</i> 2 Nylocks M36x1.5 DIN 985 <i>BA 01 57 00985 36015</i>

Suspension bolt for type S1

5	2	Suspension bolt S1 complete consists from:	BA 02 35 2 00A 014.1/1 1 Suspension bolt <i>BA 02 35 0 00A 014.1/1</i> 2 Distance tubes <i>BA 02 35 0 00A 015.1/0</i> 30 Distance washers 21 DIN 125 <i>BA 02 70 00125 02100</i> 2 Washers 17 DIN 125 <i>BA 02 70 00125 01700</i> 2 Nylocks M16x1.5 DIN 985 <i>BA 02 57 00985 16015</i>	BA 02 35 2 00H 014.1/1 1 Suspension bolt <i>BC 02 35 0 00H 014.1/1</i> 2 Distance tubes <i>BA 02 35 0 00H 015.1/0</i> 28 Distance washers 23 DIN 125 <i>BA 02 70 00125 02300</i> 2 Washers 17 DIN 125 <i>BA 02 70 00125 01700</i> 2 Nylocks M16x1.5 DIN 985 <i>BA 02 57 00985 16015</i>	BA 02 35 2 00J 014.1/1 1 Suspension bolt <i>BA 02 35 0 00J 014.1/1</i> 2 Distance tubes <i>BA 02 35 0 00H 015.1/0</i> 28 Distance washers 23 DIN 125 <i>BA 02 70 00125 02300</i> 2 Washers 17 DIN 125 <i>BA 02 70 00125 01700</i> 2 Nylocks M16x1.5 DIN 985 <i>BA 02 57 00985 16015</i>	BA 02 35 2 00L 014.1/1 1 Suspension bolt <i>BA 02 35 0 00L 014.1/1</i> 2 Distance tubes <i>BA 02 35 0 00L 015.1/0</i> 20 Distance washers 26 DIN 126 <i>BA 02 70 00126 02600</i> 2 Washers 23 DIN 125 <i>BA 02 70 00125 02300</i> 2 Nylocks M22x1.5 DIN 985 <i>BA 02 57 00985 22015</i>	BA 02 35 2 00P 014.1/1 1 Suspension bolt <i>BA 02 35 0 00P 014.1/1</i> 2 Distance tubes <i>BA 02 35 0 00L 015.1/0</i> 20 Distance washers 26 DIN 126 <i>BA 02 70 00126 02600</i> 2 Washers 23 DIN 125 <i>BA 02 70 00125 02300</i> 2 Nylocks M22x1.5 DIN 985 <i>BA 02 57 00985 22015</i>	BA 02 39 2 00R 014.1/1 1 Suspension bolt <i>BA 02 39 0 00R 014.1/1</i> 2 Distance tubes <i>BA 02 39 0 00R 015.1/0</i> 16 Distance washers 39 DIN 126 <i>BA 02 70 00126 03900</i> 2 Washers 37 DIN 125 <i>BA 02 70 00125 03700</i> 2 Nylocks M36x1.5 DIN 985 <i>BA 02 57 00985 36015</i>	

Suspension bolt for type S2

5	2	Suspension bolt S2 complete consists from:	BA 03 35 2 00A 014.2/1 1 Suspension bolt <i>BA 03 35 0 00A 014.2/1</i> 2 Distance tubes <i>BA 03 35 0 00A 015.2/0</i> 30 Distance washers 21 DIN 125 <i>BA 03 70 00125 02100</i> 2 Washers 17 DIN 125 <i>BA 03 70 00125 01700</i> 2 Nylocks M16x1.5 DIN 985 <i>BA 03 57 00985 16015</i>	BA 03 35 2 00H 014.2/0 1 Suspension bolt <i>BC 03 35 0 00H 014.2/0</i> 2 Distance tubes <i>BA 03 35 0 00H 015.2/0</i> 28 Distance washers 23 DIN 125 <i>BA 03 70 00125 02300</i> 2 Washers 17 DIN 125 <i>BA 03 70 00125 01700</i> 2 Nylocks M16x1.5 DIN 985 <i>BA 03 57 00985 16015</i>	BA 03 35 2 00J 014.2/0 1 Suspension bolt <i>BA 03 35 0 00J 014.2/0</i> 2 Distance tubes <i>BA 03 35 0 00H 015.2/0</i> 28 Distance washers 23 DIN 125 <i>BA 03 70 00125 02300</i> 2 Washers 17 DIN 125 <i>BA 03 70 00125 01700</i> 2 Nylocks M16x1.5 DIN 985 <i>BA 03 57 00985 16015</i>	BA 03 35 2 00L 014.2/1 1 Suspension bolt <i>BA 03 35 0 00L 014.2/1</i> 2 Distance tubes <i>BA 03 35 0 00L 015.2/0</i> 22 Distance washers 26 DIN 126 <i>BA 03 70 00126 02600</i> 2 Washers 23 DIN 125 <i>BA 03 70 00125 02300</i> 2 Nylocks M22x1.5 DIN 985 <i>BA 03 57 00985 22015</i>	BA 03 35 2 00P 014.2/1 1 Suspension bolt <i>BA 03 35 0 00P 014.2/1</i> 2 Distance tubes <i>BA 03 35 0 00L 015.2/0</i> 22 Distance washers 26 DIN 126 <i>BA 03 70 00126 02600</i> 2 Washers 23 DIN 125 <i>BA 03 70 00125 02300</i> 2 Nylocks M22x1.5 DIN 985 <i>BA 03 57 00985 22015</i>	BA 03 39 2 00R 014.2/0 1 Suspension bolt <i>BA 03 39 0 00R 014.2/0</i> 2 Distance tubes <i>BA 03 39 0 00R 015.2/0</i> 16 Distance washers 39 DIN 126 <i>BA 03 70 00126 03900</i> 2 Washers 37 DIN 125 <i>BA 03 70 00125 03700</i> 2 Nylocks M36x1.5 DIN 985 <i>BA 03 57 00985 36015</i>	

Example for order: **BC 01 39 3 00A 221/1** Trolley motor complete with two speeds for motorised trolley with 500 kg capacity for versions 1-3.

Spare part list BD – direct control for motorised trolley

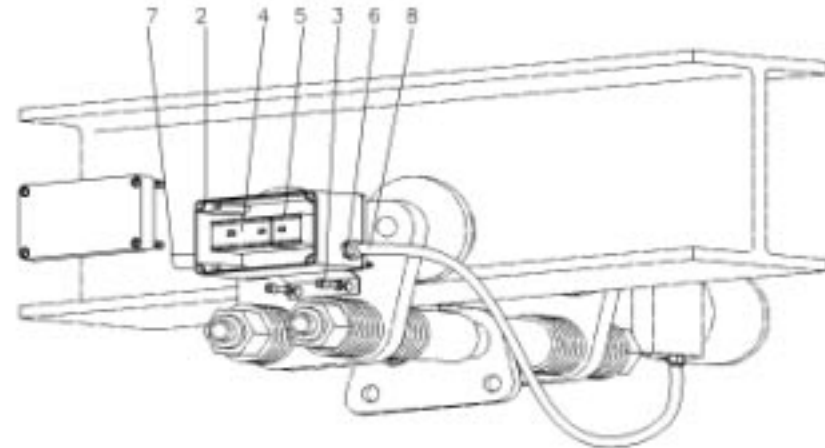
No.:	Num ber	Designation	Order- No.:	Order- No.:
			For trolleys with one speed	For trolleys with two speeds
1	0,5m	cable	BD 01 45 0H070 04G15	BE 01 45 0YMH0 07015
2	1	cable screw	BD 01 50 00100 PG160	
3	1	rectifier	BC 01 20 00040 00051	BC 01 20 00040 000E2

Spare part list BE – contactor control for the electric trolley

For trolleys with one speed/two speed	
No.1.	Control box complete consists from: control box, basic plate, contactors, cable, cable screws, fastening set Control box consists from: control box with cover, assembly rail and screws
No.2.	Basic plate complete consists from: basic plate, fastening set
No.3.	Contactor for Left / right
No.4.	Contactor for second speed
No.5.	Cable screw control box – hoist
No.6.	Cable screw control box – travelling motor
No.7.	Cable control box – hoist
No.8.	Cable control box – travelling motor

No.:	Num- ber	Designation	Order- No.:	Order- No.:
			For trolleys with one speed	For trolleys with two speeds
1	1	Control box complete consists from:	BE 01 41 2 00A 000/1 1 Control box 1 Basic plate 1 Contactor 2 Cable screws PG 16 with counter nuts Cable control box – hoist Cable control box – motor	BE 01 41 2 01A 100/1 1 Control box 1 Basic plate 1 Contactor 1 Contactor for second speed 2 Cable screws PG16 with counter nuts Cable control box – hoist Cable control box – motor
2	1	Control box with assembly rail	BE 01 20 10000 00010 Control box BE 01 20 00000 02069 0,15m assembly rail	
3	1	Basic plate complete	BE 01 41 0 00A 001/1	
4	1	Contactor K5, K6	BE 01 74 3LC2K 91024	
5	1	Contactor for second speed K7	-	BE 01 74 3LC1K 98024
6	2	Cable screw	BE 01 50 00100 PG162 BE 01 50 00300 01602	
7	1,4m	Cable control box – hoist	BE 01 45 NYSLY 07015	BE 01 45 NYSLY 12010
8	1,5m	Cable control box – travelling motor	BE 01 45 NYSLY 04015	BE 01 45 NYSLY 07015

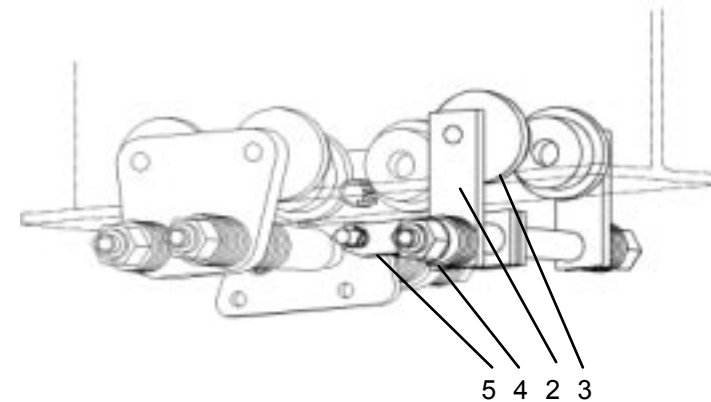
Example for order: BE 01 41 2 00A 000/1 contactor control for the electric trolley complete



Spare part list BG – tandem trolley for oversized chain collector

For replacement of big chain bags containing a high quantity of chain a strain relief is required. For hoists suspended underneath a trolley a dual trolley has to be ordered.

- No. 1 **Dual trolley complete** consists from: Pos. 2-5
 No. 2 **Side plate complete** consists from: side plate, bolts for wheels
 No. 3 **Wheel complete** consists from: wheel, roller bearing, retaining rings
 No. 4 **Suspension bolt complete** consists from: suspension bolt, distance tubes, distance washers, washers for nylocks, nylocks
 No. 5 **Connection bar complete** consists from: connection bar, bolt, washers, splint pins



No:	Number	Designation	Order- No.:			Order- No.:			Order- No.:			
			for trolley till max. 2000 kg capacity for B2/00D – B5.1/00K			for trolley till max. 3200 kg capacity for B6/00L - B7.2/00T			for trolley till max. 5000 kg capacity for B8.1/00R, B9.1/00S			
			type - chain collector			type - chain collector			type - chain collector			
			5/40 40 m chain 5x15 7/22	22 m chain 7x22	9/25 25 m chain 9x27	11/16 16 m chain 11x31						
			5/50 50 m chain 5x15 7/30	30 m chain 7x22	9/30 30 m chain 9x27	11/20 20 m chain 11x31						
			5/60 60 m chain 5x15 7/40	40 m chain 7x22	9/40 40 m chain 9x27	11/25 25 m chain 11x31						
			5/70 70 m chain 5x15 7/50	50 m chain 7x22	9/50 50 m chain 9x27	11/30 30 m chain 11x31						
			5/90 90 m chain 5x15 7/60	60 m chain 7x22	9/60 60 m chain 9x27	11/40 40 m chain 11x31						
					9/75 75 m chain 9x27	11/50 50 m chain 11x31						
			For trolley type N	For trolley type S1	For trolley type S2	For trolley type N	For trolley type S1	For trolley type S2	For trolley type N	For trolley type S1	For trolley type S2	
1	1	Dual trolley complete	BG 01 31 2 00D 000/0 Pos. 2-5	BG 02 31 2 01D 000/0 Pos. 2-5	BG 03 31 2 02D 000/0 Pos. 2-5	BG 01 31 2 00L 000/0 Pos. 2-5	BG 02 31 2 01L 000/0 Pos. 2-5	BG 03 31 2 02L 000/0 Pos. 2-5	BG 01 31 2 00R 000/0 Pos. 2-5	BG 02 31 2 01R 000/0 Pos. 2-5	BG 03 31 2 02R 000/0 Pos. 2-5	
2	2	Side plate complete consists from:	BG 01 31 2 00D 002/0 1 Side plate 1 Bolt for wheels									
3	2	Wheel complete consists from:	BA 01 35 2 00A 010/1 1 Wheel BA 35 0 00A 010/1 1 Roller bearing BA 01 96 06004 2Z000 2 Retaining rings 42 DIN 472 BA 01 64 00472 00042									
4	1	Suspension bolt complete consists from:	BG 01 31 2 00D 012/0 1 Suspension bolt BG 01 31 0 00D 012/0 2 Distance tubes BG 01 31 0 00D 013/0 24 Distance washers 21 DIN 125 BG 01 70 00125 02100 2 Washers 17 DIN 125 for nylocks BG 01 70 00125 01700 2 Nylocks M16x1,5 DIN 985 BG 01 57 00985 00016	BG 02 31 2 00D 012/0 1 Suspension bolt BG 02 31 0 00D 012.1/0 2 Distance tubes BG 01 31 0 00D 013/0 24 Distance washers 21 DIN 125 BG 01 70 00125 02100 2 Washers 17 DIN 125 for nylocks BG 01 70 00125 01700 2 Nylocks M16x1,5 DIN 985 BG 01 57 00985 00016	BG 03 31 2 00D 012/0 1 Suspension bolt BG 03 31 0 00D 012.2/0 2 Distance tubes BG 01 31 0 00D 013/0 18 Distance washers 21 DIN 125 BG 01 70 00125 02100 2 Washers 17 DIN 125 for nylocks BG 01 70 00125 01700 2 Nylocks M16x1,5 DIN 985 BG 01 57 00985 00016	BG 01 31 2 00D 012/0 1 Suspension bolt BG 01 31 0 00D 012/0 2 Distance tubes BG 01 31 0 00D 013/0 20 Distance washers 21 DIN 125 BG 01 70 00125 02100 2 Washers 17 DIN 125 for nylocks BG 01 70 00125 01700 2 Nylocks M16x1,5 DIN 985 BG 01 57 00985 00016	BG 02 31 2 00D 012/0 1 Suspension bolt BG 02 31 0 00D 012.1/0 2 Distance tubes BG 01 31 0 00D 013/0 24 Distance washers 21 DIN 125 BG 01 70 00125 02100 2 Washers 17 DIN 125 for nylocks BG 01 70 00125 01700 2 Nylocks M16x1,5 DIN 985 BG 01 57 00985 00016	BG 03 31 2 00D 012/0 1 Suspension bolt BG 03 31 0 00D 012.2/0 2 Distance tubes BG 01 31 0 00D 013/0 18 Distance washers 21 DIN 125 BG 01 70 00125 02100 2 Washers 17 DIN 125 for nylocks BG 01 70 00125 01700 2 Nylocks M16x1,5 DIN 985 BG 01 57 00985 00016	BG 01 31 2 00D 012/0 1 Suspension bolt BG 01 31 0 00D 012/0 2 Distance tubes BG 01 31 0 00D 013/0 20 Distance washers 21 DIN 125 BG 01 70 00125 02100 2 Washers 17 DIN 125 for nylocks BG 01 70 00125 01700 2 Nylocks M16x1,5 DIN 985 BG 01 57 00985 00016	BG 02 31 2 00D 012/0 1 Suspension bolt BG 02 31 0 00D 012.1/0 2 Distance tubes BG 01 31 0 00D 013/0 24 Distance washers 21 DIN 125 BG 01 70 00125 02100 2 Washers 17 DIN 125 for nylocks BG 01 70 00125 01700 2 Nylocks M16x1,5 DIN 985 BG 01 57 00985 00016	BG 03 31 2 00D 012/0 1 Suspension bolt BG 03 31 0 00D 012.2/0 2 Distance tubes BG 01 31 0 00D 013/0 18 Distance washers 21 DIN 125 BG 01 70 00125 02100 2 Washers 17 DIN 125 for nylocks BG 01 70 00125 01700 2 Nylocks M16x1,5 DIN 985 BG 01 57 00985 00016	
5	1	Connection bar complete consists from:	BG 01 31 2 00D 006/0 1 Connection bar BG 02 31 0 00D 006/0 1 Bolt 12h11x45x34 DIN 1433 2 Washers 13 DIN 125 2 Splintpins 3.2x20 DIN 94 BG 01 31 3 00D 231/0			BG 01 31 2 00L 006/0 1 Connection bar BG 02 31 0 00L 006/0 1 Bolt 12h11x50x40 DIN 1433 2 Washers 13 DIN 125 2 Splintpins 3.2x20 DIN 94 BG 01 31 3 00L 231/0			BG 01 31 2 00R 006/0 1 Connection bar BG 02 31 0 00R 006/0 1 Bolt 12h11x50x40 DIN 1433 2 Washers 13 DIN 125 2 Splintpins 3.2x20 DIN 94 BG 01 31 3 00R 231/0			

Example for order: **BG 01 31 2 00D 000/0** dual trolley complete for trolleys till max. 2000 kg capacity for version 2-5.1