

HOFFMANN Fördertechnik
GmbH Wurzen

LIFTKET

ELECTRIC CHAIN HOISTS



Innovative electric chain hoists – Milestones on the way to success



1952



1954



1955



1956



The initial LIFTKET design has introduced the change to low headroom hoists by placing the motor and the gearbox on one horizontal level for the first time. The LIFTKET was the first hoist to launch the special patented safety clutch/brake system preventing a load drop if the clutch is damaged or even fully worn. The perfection of the new STAR LIFTKET clutch/brake system does not know anything to compare around the globe today.



HOFFMANN Fördertechnik GmbH Wurzen

Since HOFFMANN Fördertechnik GmbH Wurzen has been set up initially on January the 1st 1948 electric hoists have been produced for more than 60 years now. Particularly during the last 20 years the company has been subsequently modernised and expanded.

Besides the development and the production of standard hoist products tailored to the specific demands of our customers play a central role and are practised part of our company philosophy.

LIFTKET hoists are available in over 40 countries worldwide and are daily proving their quality under very different applications and conditions. Our German dealer network and agencies in many countries provide the required service to most of our worldwide customers.



1966



Dresdener Straße 64 – sales, design
and engineering department



Dresdener Straße 66 –
Machining

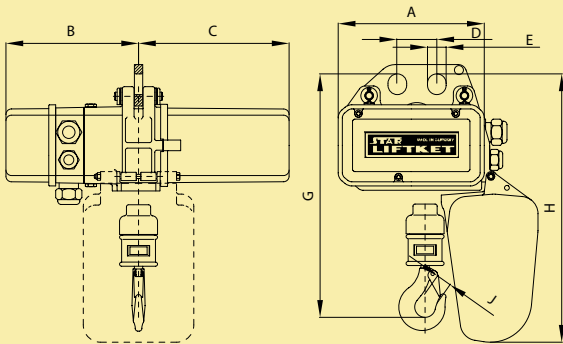


Dresdener Straße 68 –
Machining

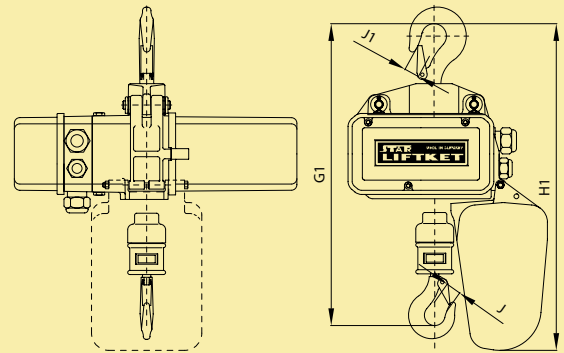
Three phase electric chain hoists

125 kg – 6300 kg

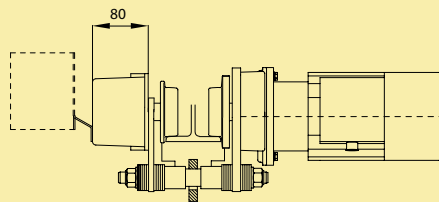
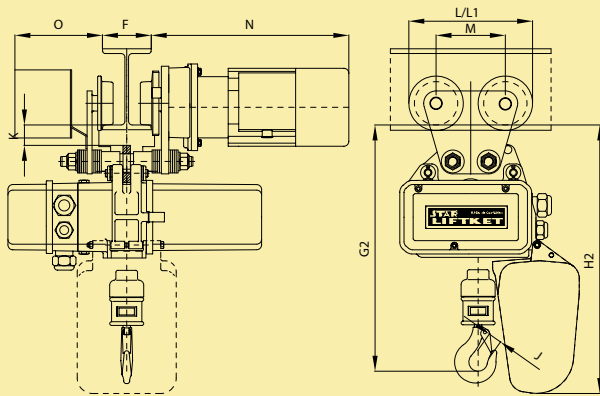
Basic version



... with hook suspension



... with electric trolley or push trolley



Three phase electric chain hoists

125 kg – 6300 kg

Please note:

- Power supply 400 V, 3 ph, 50 Hz
- Protection class IP55 / insulation class F
- Different voltage and frequency options available on request
- Control cable 1.5 m supplied as standard
- Height of lift 3 m supplied as standard, the hoist weight has been calculated for 3 m height of lift, hoist weight will increase by approximately 2 kg if low voltage control is required
- Different heights of lift and control cable lengths available on request
- For lifting heights greater than 20 m a reduction to the safe working load must be made for the additional weight of chain
- STAR models 090/..., 091/..., 110/... and 111/... have to be fitted with low voltage control only, if supplied without control upon the request a low voltage control has to be added before first operation. These STAR models are equipped with low voltage control as standard.

The technical data mentioned in the tables are approximate and subject to change.

Counter weights might be required for double speed trolleys for special combinations of load capacity, flange width and type of control (max. weight 9.4 kg).

Trolley capacity	Minimum radius of beam
up to 1000 kg	1.0 m
up to 3200 kg	1.5 m
up to 6300 kg	2.0 m

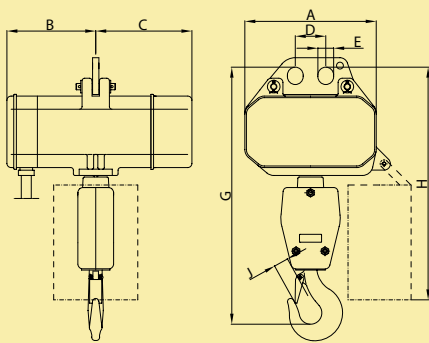


STAR LIFTKET

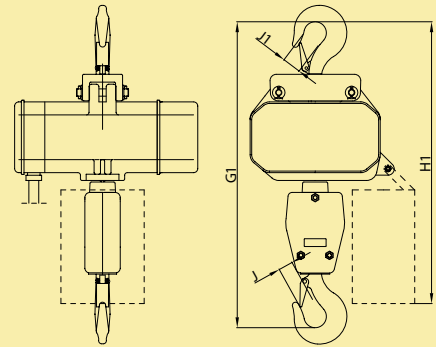
Three phase electric chain hoists 125 kg – 2000 kg

Version 1–5.1

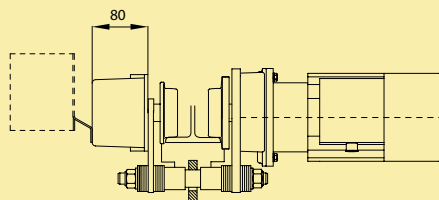
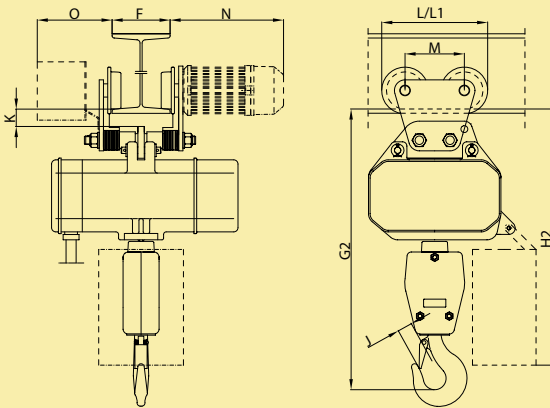
Basic version



... with hook suspension



... with electric trolley or push trolley



Three phase electric chain hoists 125 kg – 2000 kg

Please note:

- Power supply 400 V, 3 ph, 50 Hz
- Protection class IP54 / Insulation class F
- Different voltage and frequency options available on request
- Control cable 1.5 m supplied as standard
- Height of lift 3 m supplied as standard, the hoist weight has been calculated for 3 m height of lift, hoist weight will increase by approximately 2 kg if low voltage control is required
- Different heights of lift and control cable lengths available on request
- For lifting heights greater than 20 m a reduction to the safe working load must be made for the additional weight of chain

The technical data mentioned in the tables are approximate and subject to change.

Counter weights might be required for double speed trolleys for special combinations of load capacity, flange width and type of control (max. weight 9.4 kg).

Trolley capacity	Minimum radius of beam
up to 1000 kg	1.0 m
up to 3200 kg	1.5 m



LIFTKET



LIFTKET electric chain hoists are known for their low headroom design to provide a maximum lifting height, their helical gears with very quiet run made from high quality alloy steel and their low weight due to the very durable aluminium casing. They are available with suspension eye, hook suspension, with push trolleys or electric trolleys.

Capacity kg	Version	Model	Lifting speed m/min	Number of load chain	Duty group FEM 9.511	Dimension of load chain DIN 5684 mm	Lifting motor kW	Duty rate starts/hour ED%/S/h	A mm	B Direct control mm	B Low voltage control mm	C mm	D mm	E mm	G mm	G1 mm	G2 mm	H mm	H1 mm	H2 mm	J mm	J1 mm	Trolley type	F Flange width mm	Travelling speed m/min	Travelling motor kW	K mm	L mm	L1 mm	M mm	N for travelling speed mm (m/min)	O for low voltage control only mm	Dia- meter of the wheels mm	LIFTKET- Basic version kg	Push trolley kg	Electric trolley kg (m/min)															
125	125/1-8	1/00A	8	1	2m	4x12	0.18	40/240	188	167	230	145	58	27	345	424	391	369	448	415	20	22	500																												
150	150/1-24	2/53D	24	1	2m	5x15	1.1	40/240	260	199	246	200	58	27	385	464	431	496	581	548	20	22	500																												
250	250/2-4	1/00A	4	2	2m	4x12	0.18	40/240	188	167	230	145	58	27	372	451	418	369	448	415	22	22	500	N	50-106 110-200 210-300	16 or 25 or 5/20	0.12 0.12 0.04/0.18	33	200	216	112	220 (16 25) 292 (5/20)	142	70	15																
	250/1-6	1.1/00B	6	1	1Bm	4x12	0.27	25/150	188	172	235	145	58	27	345	424	391	369	448	415	20	22	500	S1																				8	15 (16 25) 18 (5/20)						
	250/1-8/2	3/00G	8/2	1	2m	5x15	0.6/0.1	60/25/240	260	199	246	200	58	27	385	464	431	496	581	548	20	22	500	S2																											
	250/1-12	2/00D	12	1	2m	5x15	0.75	40/240	260	199	246	200	58	27	385	464	431	496	581	548	20	22	500																												
	250/1-16	2/50D	16	1	2m	5x15	1.1	40/240	260	199	246	200	58	27	385	464	431	496	581	548	20	22	500																												
250/1-16/4	5/50I	16/4	1*	2m	5x15	1.1/0.2	40/10/240	260	199	246	245	58	30	385	464	445	501	600	557	20	28	1000	N S1 S2	66-135 137-215 220-300	16 or 25 or 5/20	0.12 0.12 0.04/0.18	38 36 34.5	200	216	112	220 (16 25) 292 (5/20)	146	70	36	10	17 (16 25) 19 (5/20)															
300	300/2-12	2/53D	12	2	2m	5x15	1.1	40/240	260	199	246	200	58	27	438	517	484	496	581	548	22	22	500																												
500	500/2-3	1.1/00B	3	2	1Bm	4x12	0.27	25/150	188	172	235	145	58	27	372	451	418	369	448	415	22	22	500	N	50-106 110-200 210-300	16 or 25 or 5/20	0.12 0.12 0.04/0.18	33	200	216	112	220 (16 25) 292 (5/20)	142	70	28																
	500/2-4/1	3/00G	4/1	2	2m	5x15	0.6/0.1	60/25/240	260	199	246	200	58	27	438	517	484	496	581	548	22	22	500	S1																						8	15 (16 25) 18 (5/20)				
	500/2-6	2/00D	6	2	2m	5x15	0.75	40/240	260	199	246	200	58	27	438	517	484	496	581	548	22	22	500	S2																											
	500/2-8	2/50D	8	2	2m	5x15	1.1	40/240	260	199	246	200	58	27	438	517	484	496	581	548	22	22	500																												
	500/1-10	4/00H	10	1	2m	7x22	0.84	40/240	260	199	246	200	58	30	403	496	455	501	600	557	22	28	1000																												
500/1-10/2.5	5/00I	10/2.5	1	2m	7x22	1.1/0.2	40/10/240	260	199	246	245	58	30	403	496	455	501	600	557	22	28	1000																													
1000	1000/2-5	4/00H	5	2	2m	7x22	0.84	40/240	260	199	246	200	58	30	496	589	548	501	600	557	28	28	1000																												
	1000/1-5	4.1/00J	5	1	1Bm	7x22	0.84	25/150	260	213	260	200	58	30	403	496	455	501	600	557	22	28	2000																												
	1000/2-5/1.25	5/00I	5/1.25	2	2m	7x22	1.1/0.2	40/10/240	260	199	246	245	58	30	496	589	548	501	600	557	28	28	1000	N	66-135 137-215 220-300	16 or 25 or 5/20	0.12 0.12 0.04/0.18	38 36 34.5	200	216	112	220 (16 25) 292 (5/20)	146	70	30																
	1000/1-5/1.25	5.1/00K	5/1.25	1	1Bm	7x22	1.1/0.2	25/10/150	260	213	260	245	58	30	403	496	455	501	600	557	22	28	2000	S1																											
1000/1-10	4.2/00M	10	1	1Bm	7x22	2.2	25/150	260	213	260	245	58	30	403	496	455	501	600	557	22	28	2000	S2																												
1000/2-5	5.1/00K	5/1.25	1	1Bm	7x22	1.1/0.2	25/10/150	260	213	260	245	58	30	403	496	455	501	600	557	22	28	2000																													
2000	2000/2-2.5	4.1/00J	2.5	2	1Bm	7x22	0.84	25/150	260	213	260	200	58	30	496	589	548	501	600	557	28	28	2000																												
	2000/2-2.5/0.6	5.1/00K	2.5/0.6	2	1Bm	7x22	1.1/0.2	25/10/150	260	213	260	245	58	30	496	589	548	501	600	557	28	28	2000																												
	2000/2-5	4.2/00M	5	2	1Bm	7x22	2.2	25/150	260	213	260	245	58	30	496	589	548	501	600	557	28	28	2000																												

* single fall only



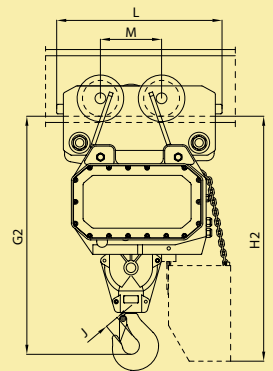
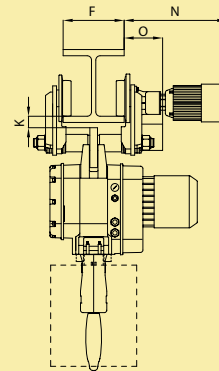
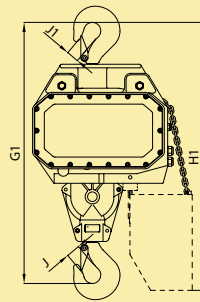
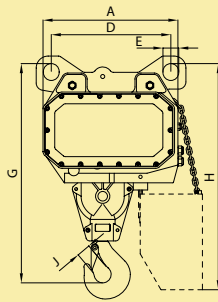
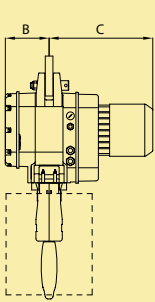
Three phase electric chain hoists 4000 kg – 25000 kg

Version 13/00X

Basic version

... with hook suspension

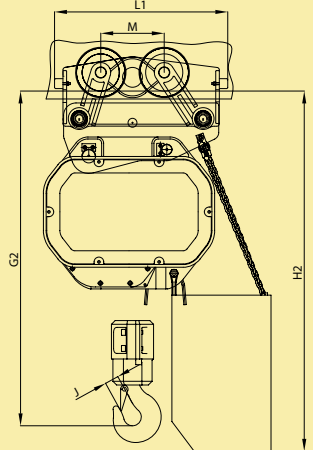
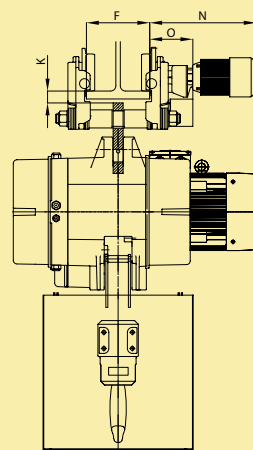
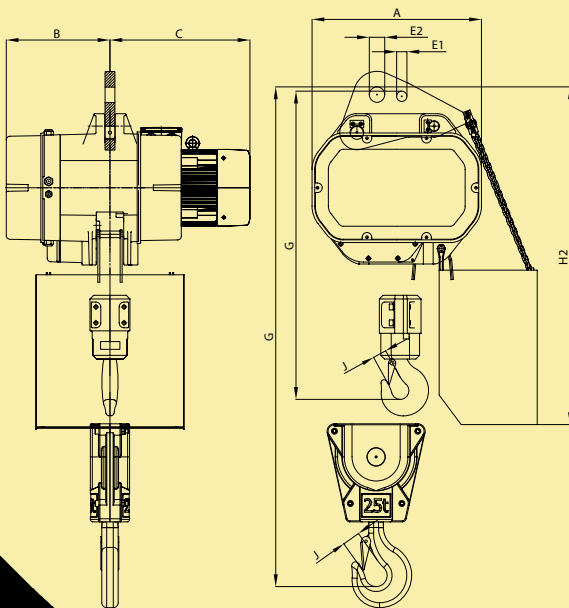
... with electric trolley



Model STAR 235/50

single/double fall, stationary – 12500kg/25000 kg

single fall, one electric trolley – 12500 kg





25 tons

on two chain falls only

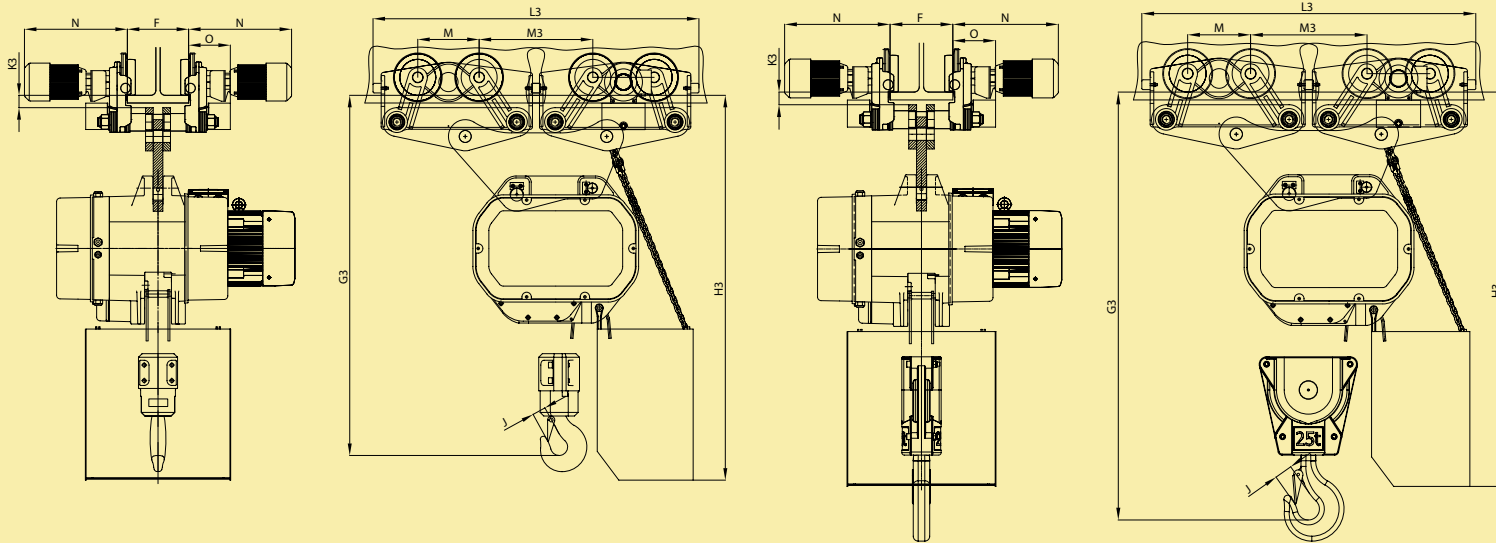
Applications for the POWER LIFTKET

- Single point suspension, the chain leaves the hoist at a single point giving a true vertical lift
- Suitable for construction industry and heavy maintenance work
 - variable lifting heights are available
 - various suspensions are available
- The unit can be foot mounted to optimize lifting height

POWER LIFTKET

Capacity	Version	Model	Lifting speed	Numbers of load falls	Duty group hoist FEM 9.511	Duty group load chain EN 818-7	Dimension of load chain DIN 5684-8	Lifting motor	Duty rate starts/hour	A	B	C	D	E	E1	E2	G	G1	G2	G3	H	H1	H2	H3	J	J1	Trolley type	F Flange width	Travelling speed	Travelling motor	K	K3	L1	L3	M	M3	N	O	Dia-meter of the wheels	STAR LIFTKET-Basic version kg	1 Electric trolley kg	2 Electric trolleys kg						
kg			m/min				mm	kW	ED%/S/h	mm	mm	mm	mm	mm	mm	mm	mm	mm	mm	mm	mm	mm	mm	mm	mm	mm	mm	mm	mm	mm	mm	mm	mm	mm	mm	mm	mm	mm	mm	mm	mm	mm	mm	mm				
Version 13/00X																																																
4000	4000/1-5.6/1.4	13/00X	5.6/1.4	1	2m	2m	16x45	6/1.3	60/40/240	564	184	434	500	66			823	995	903		957	1128	1036		52	52	12500																	224				
5000	5000/1-5.6/1.4	13/00X	5.6/1.4	1	1Am	1Am	16x45	6/1.3	60/40/180	564	184	434	500	66			823	995	903		957	1128	1036		52	52	12500	N	140-230	4/16	0.12/0.55	44		700		256		430	171	150				224	137	274		
6300	6300/1-5.6/1.4	13/00X	5.6/1.4	1	1Bm	1Bm	16x45	6.4/1.6	60/40/150	564	184	434	500	66			823	995	903		957	1128	1036		52	52	12500	S1	220-310														224					
8000	8000/2-2.8/0.7	13/00X	2.8/0.7	2	2m	2m	16x45	6/1.3	60/40/240	564	184	434	500	66			917	1089	997		957	1128	1036		52	52	12500																			254		
STAR 235/50																																																
8000	8000/1-6.4/1.6	235/50	6.4/1.6	1	2m	2m	23.5x66	12.5/3.1	25/10/240	691	423	571					42				1193							12500	N	140-230	4/16	0.12/0.55	48	52	700	1359	256	474	430	171	150		554	137	274			
Version 13/00X																																																
10000	10000/2-2.8/0.7	13/00X	2.8/0.7	2	1Am	1Am	16x45	6/1.3	60/40/180	564	184	434	500	66			917	1089	997		957	1128	1036		52	52	12500	N	140-230	4/16	0.12/0.55	44		700		256		430	171	150		254	137	274				
STAR 235/50																																																
10000	10000/1-6.4/1.6	235/50	6.4/1.6	1	1Am	1Am	23.5x66	12.5/3.1	25/10/180	691	423	571					42				1193							12500	N	140-230	4/16	0.12/0.55	48	52	700	1359	256	474	430	171	150		554	137	274			
Version 13/00X																																																
12500	12500/2-2.8/0.7	13/00X	2.8/0.7	2	1Bm	1Bm	16x45	6.4/1.6	60/40/150	564	184	434	500	66			917	1089	997		957	1128	1036		52	52	12500	N	140-230	4/16	0.12/0.55	44		700		256		430	171	150		254	137	274				
STAR 235/50																																																
12500	12500/1-6.4/1.6	235/50	6.4/1.6	1	1Bm	1Bm	23.5x66	12.5/3.1	25/10/150	691	423	571					42				1193							12500	N	140-230	4/16	0.12/0.55	48	52	700	1359	256	474	430	171	150		554	137	274			
16000	16000/2-3.2/0.8	235/50	3.2/0.8	2	2m	2m	23.5x66	12.5/3.1	25/10/240	691	423	571					63	1455			1700	1395			68		12500																					
20000	20000/2-3.2/0.8	235/50	3.2/0.8	2	1Am	1Am	23.5x66	12.5/3.1	25/10/180	691	423	571					63	1455			1700	1395			68		12500	N	140-230	4/16	0.12/0.55	52		1359	256	474	430	171	150		668		274					
25000	25000/2-3.2/0.8	235/50	3.2/0.8	2	1Bm	1Bm	23.5x66	12.5/3.1	25/10/150	691	423	571					63	1455			1700	1395			68		12500	S1	220-310																			

single fall, two electric trolleys – 12500 kg, for conversion to 25000 kg double fall, two electric trolleys – 25000 kg



Three phase electric chain hoists
4000 kg – 25000 kg
Version 13/00X + STAR 235/50

Please note:

- Power supply 400 V, 3 ph, 50 Hz
- Version 13/00X – Protection class IP54
- STAR 235/50 – Protection class IP55
- Insulation class F
- Different voltage and frequency options are available
- Equipped with 24 V low voltage control as standard
- Electric limit switches
- Control cable 1.5 m supplied as standard
- Height of lift 3 m supplied as standard, the hoist weight has been calculated for 3 m height of lift
- Different heights of lift and control cable lengths available on request
- For lifting heights greater than 10 m a reduction to the safe working load must be made for the additional weight of chain

Remark: The standard trolleys of these hoist versions are not suitable for curved runway beams.

The technical data mentioned in the tables are approximate and subject to change.



Electric chain hoists for special applications

The list of options is quite long. All our hoists are available with either direct or low voltage control; many with encoders, electromechanical load sensors, double brakes and variable speed (frequency controls). These are only a few examples of the special accessories available.

LIFTKET electric chain hoists with three phase motors for use at stages and in studios

Electric chain hoists for use at stages or in studios incorporate highly specialised solutions and are usually modified for the required application which may vary from customer to customer and from market to market. To list all the possible modifications would exceed the space of this brochure. Would you please send your requirements to receive your detailed offer.

Electric chain hoist with internal planetary gear limit switch and double brake

A) Electric chain hoists acc. to German standard BGV D8

- Capacity from 125 kg up to 12500 kg with single fall load chain and different speed variations (please send your requirements)
- One brake
- Most models are available for upright and for inverted use as well
- Available with direct or low voltage control
- Hoists can be combined with controls of different makes, internal planetary gear limit switches, incremental encoders or low voltage control can be ordered optionally

B) Electric chain hoists acc. to German standard VPLT SR 2.0 D8plus or BGV C1

- Capacity from 125 kg up to 3000 kg with single fall load chain and different speed variations (please send your requirements)
- Double brake
- Most models are available for upright and for inverted use as well
- Electric chain hoists acc. to VPLT SR 2.0 D8plus are available with direct or low voltage control. Hoists acc. to BGV C1 are to be equipped with low voltage control, special four position internal planetary gear limit switches, mechanical slack chain prevention or electronic underload and overload protection.
- Incremental encoder can be ordered optionally



Electric chain hoist 500 kg certified according to German BGV C1 standard with worm gear and without electromagnetic load brake, very quiet run



Super-short headroom design
(in this case based on version B13)



Hoists with special chain guide,
e. g. for use at stages and in studios





The perfect solution to lift long loads synchronously.

The STAR LIFTKET with two load chains is currently available up to 2 x 250 kg, with a hook to hook distance 600 mm–2000 mm (standard) or 2000 mm–5000 mm (optional). The data sheet is available on request.



Hoists for bigger lifting heights



Super-short headroom design based on version B13, capacity 10 tons in this case



Chains and hooks made from stainless steel



Special pendant to control two hoists



Remark: Our electric chain hoists are available with cULus certificate (for USA and Canada). Some parts and the prices may vary from the EU-Standard versions.



Radio control

STAR LIFTKET single phase electric chain hoists 125 kg – 2000 kg

(detail drawings page 4–6)

Capacity kg	Version	STAR-Model	Lifting speed m/min	Numbers of load falls	Duty group hoist FEM 9.511	Duty group load chain EN 818-7	Dimension of load chain DIN 5684-8 mm	Lifting motor kW	Duty rate starts/hour ED%/S/h	A	B	C	D	E	G	G1	G2	H	H1	H2	J	J1	Trolley type	F Flange width mm	K mm	L Push trolley mm	M mm	O for low voltage control only mm	Dia- meter of the wheels mm	Weights							
										mm	mm	mm	mm	mm	mm	mm	mm	mm	mm	mm	mm	mm								mm	mm	STAR LIFTKET- Basic version kg	Push trolley kg				
125	125/1-24	050/01	24	1	3m	2m	5.2x15	0.55	40/240	266	232	274	58	30	390	462	436	449	522	505	20	22	500	N	50-106 110-200 210-300	33	200	112	142	70	33						
250	250/1-8	020/01	8	1	2m	1Bm	4x12	0.35	40/240	212	192	218	58	27	354	432	401	409	487	456	20	22	500	S1												17	8
	250/2-12	050/01	12	2	3m	2m	5.2x15	0.55	40/240	266	232	274	58	30	443	515	489	449	522	505	22	22	500	S2												35	
500	500/2-4	020/01	4	2	2m	1Bm	4x12	0.35	40/240	212	192	218	58	27	407	485	454	409	487	456	22	22	500	N	66-135 137-215 220-300	38 36 34.5	200	112	146	70	19						
	500/1-8	050/02	8	1	1Am	1Bm	5.2x15	0.7	40/240	266	232	274	58	30	390	462	436	449	522	505	20	22	1000													33	10
	500/1-10	070/02	10	1	2m	2m	7.2x21	1.1	40/240	266	232	274	58	30	404	492	460	451	539	507	22	28	1000													36	
1000	1000/2-4	050/02	4	2	1Am	1Bm	5.2x15	0.7	40/240	266	232	274	58	30	443	515	489	449	522	505	22	22	1000	N	66-135 137-215 220-300	38 36 34.5	200	112	146	70	35						
	1000/2-5	070/02	5	2	2m	2m	7.2x21	1.1	40/240	266	232	274	58	30	514	582	570	511	599	567	28	28	1000													41	
	1000/1-6	070/01	6	1	1Am	1Bm	7.2x21	1.1	40/240	266	232	274	58	30	404	492	460	451	539	507	22	28	2000													36	
2000	2000/2-3	070/01	3	2	1Am	1Bm	7.2x21	1.1	40/240	266	232	274	58	30	514	582	570	511	599	567	28	28	2000						41								

Please note:

- Power supply 230 V, 1 ph, 50 Hz
- Protection class IP55 / insulation class F
- Control cable 1.5 m supplied as standard
- Height of lift 3 m supplied as standard, the hoist weight has been calculated for 3 m height of lift
- Different heights of lift and control cable lengths available on request
- For lifting heights greater than 20 m a reduction to the safe working load must be made for the additional weight of chain.

The technical data mentioned in the tables are approximate and subject to change.

All the advantages of the standard STAR LIFTKET chain hoists are incorporated in the models with single phase motors, the special safety clutch/brake system and the low headroom. These hoists are designed for construction sites and places without a three phase power supply. Due to the excellent thermal performance of the motor a high duty rate and longer lifting heights are possible. All single phase electric chain hoists require a minimum diameter of 2.5 sq. mm for the power and control cable for trouble-free operation. The power supply cable should be as short as possible.

Single bolt push and electric trolleys as light crane components

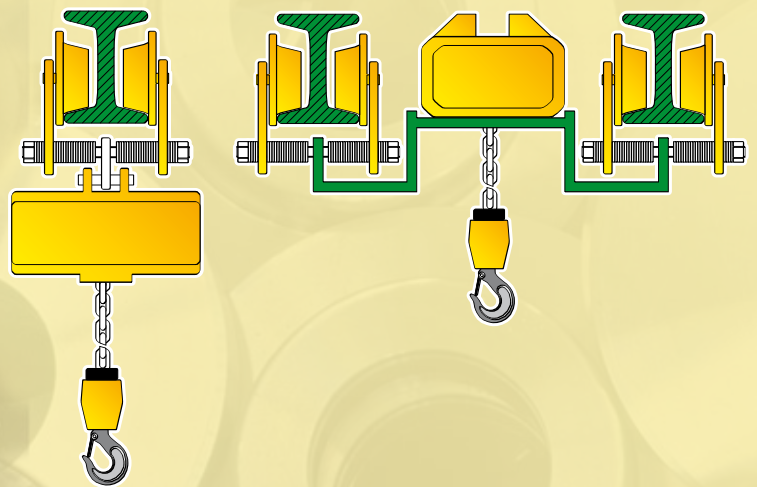
LIFTKET push and electric trolleys are robust, durable and all-round applicable light crane components



- All wheels are equipped with roller bearings and wear-resistant surface, the higher capacity wheels being case-hardened
- Suitable for use on parallel and tapered flanges
- The electric trolley motor is protected to IP54
- All trolleys are equipped with safety drop stop
- All parts are virtually maintenance free
- All the electric trolleys are equipped with our robust electromagnetic disk brake
- All bolts, distance tubes and spacing washers are galvanized for better corrosion protection

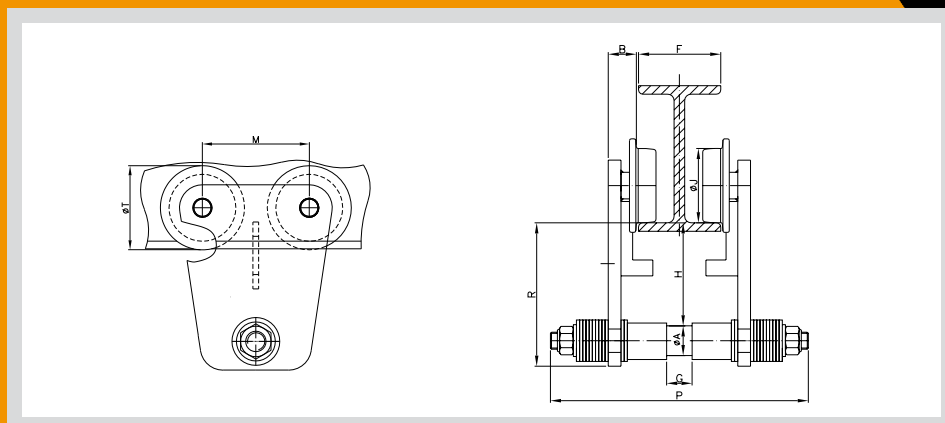
LIFTKET crane trolleys for underslung cranes allow two options to design the crane:

A standard headroom monorail crane and a double girder crane including the foot mounted hoist for improved headroom.



Single bolt push trolleys

Technical data



Type	EHFN 1000	EHFS1 1000	EHFS2 1000	EHFN 2000	EHFS1 2000	EHFS2 2000	EHFN 3200	EHFS1 3200	EEFS2 3200
Capacity (kg)	1000	1000	1000	2000	2000	2000	3200	3200	3200
Dimension F (mm)	66-135	137-215	220-300	66-135	137-215	220-300	82-155	137-215	220-300
Dimension Ø A (mm)	28	32	35	35	40	45	45	50	55
Dimension B (mm)	26.5	26.5	26.5	26.5	26.5	26.5	28	28	28
Dimension G (mm)	24	24	24	24	24	24	32	32	32
Dimension H (mm)	71	69	67.5	87.5	85	82.5	93	90.5	88
Dimension Ø J (mm)	70	70	70	70	70	70	103	103	103
Dimension M (mm)	112	112	112	112	112	112	152.5	152.5	152.5
Dimension Ø T (mm)	88	88	88	88	88	88	136	136	136
Dimension P (mm)	243	325	409	268	348	434	332	390	482
Dimension R (mm)	109	109	109	135	135	135	156	156	156
Weight (kg)	8	9	10	11	12	14	23	25	28

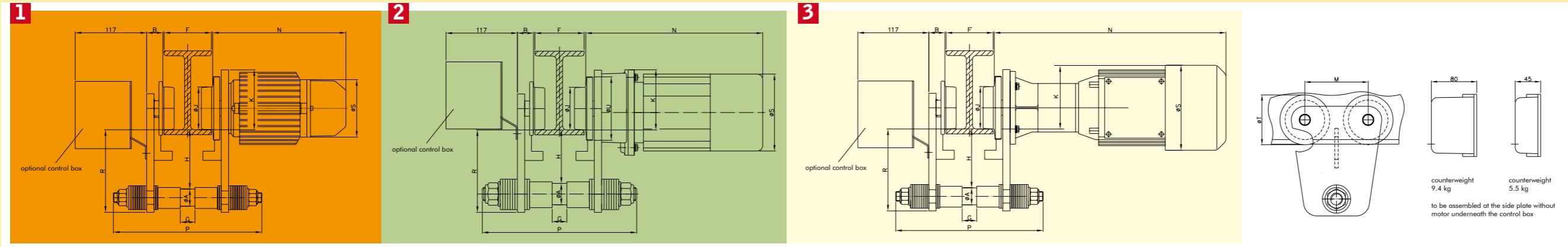
Type	EHFN 5000	EHFS1 5000	EHFS2 5000	EHFN 6300	EHFS1 6300	EHFS2 6300
Capacity (kg)	5000	5000	5000	6300	6300	6300
Dimension F (mm)	90-115	160-226	240-300	90-115	160-226	240-300
Dimension Ø A (mm)	50	55	63	50	55	63
Dimension B (mm)	41	41	41	41	41	41
Dimension G (mm)	35	35	35	35	35	35
Dimension H (mm)	95	92.5	88.5	95	92.5	88.5
Dimension Ø J (mm)	122	122	122	122	122	122
Dimension M (mm)	191	191	191	191	191	191
Dimension Ø T (mm)	160	160	160	160	160	160
Dimension P (mm)	345	414	496	345	414	496
Dimension R (mm)	170	170	170	170	170	170
Weight (kg)	44	45	49	44	45	49



Single bolt electric trolleys

Technical data

For your underslung crane with capacities up to 6300 kg we recommend to use our STAR LIFTKET electric chain hoist.



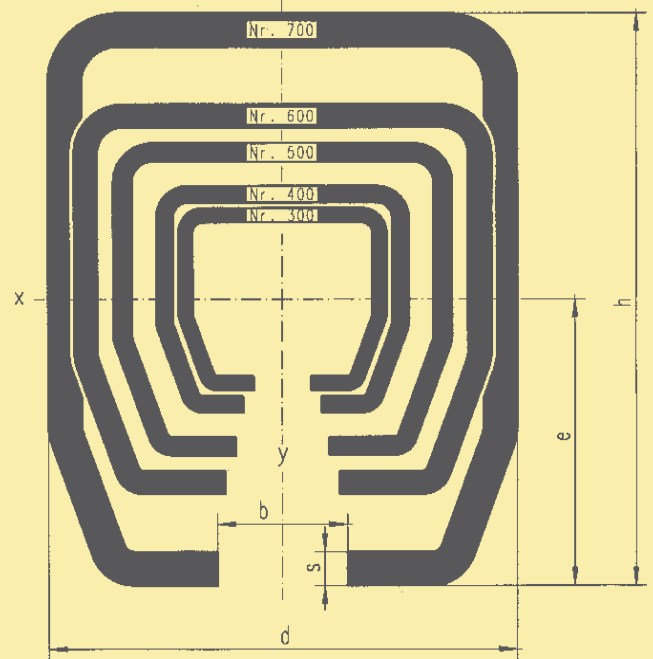
Type		EEFN 1000	EEFS1 1000	EEFS2 1000	EEFN 2000	EEFS1 2000	EEFS2 2000	EEFN 3200	EEFS1 3200	EEFS2 3200	EEFN 5000	EEFS1 5000	EEFS2 5000	EEFN 6300	EEFS1 6300	EEFS2 6300
Speed (m/min)		1 16 or 25	1 16 or 25	1 16 or 25	1 16 or 25	1 16 or 25	1 16 or 25	3 5+20	3 5+20	3 5+20	3 4+16	3 4+16	3 4+16	3 4+16	3 4+16	3 4+16
	Motor output [kW]	[0.12]	[0.12]	[0.12]	[0.12]	[0.12]	[0.12]	[0.04/0.18]	[0.04/0.18]	[0.04/0.18]	[0.06/0.25]	[0.06/0.25]	[0.06/0.25]	[0.06/0.25]	[0.06/0.25]	[0.06/0.25]
		2 5+20	2 5+20	2 5+20	2 5+20	2 5+20	2 5+20	3 7.5+30	3 7.5+30	3 7.5+30						
	[0.04/0.18]	[0.04/0.18]	[0.04/0.18]	[0.04/0.18]	[0.04/0.18]	[0.04/0.18]	[0.06/0.25]	[0.06/0.25]	[0.06/0.25]							
		3 7.5+30	3 7.5+30	3 7.5+30	3 7.5+30	3 7.5+30	3 7.5+30									
		[0.06/0.25]	[0.06/0.25]	[0.06/0.25]	[0.06/0.25]	[0.06/0.25]	[0.06/0.25]									
Capacity (kg)		1000	1000	1000	2000	2000	2000	3200	3200	3200	5000	5000	5000	6300	6300	6300
Dimension F (mm)		66-135	137-215	220-300	66-135	137-215	220-300	82-155	137-215	220-300	90-155	160-226	240-300	90-155	160-226	240-300
Dimension Ø A (mm)		28	32	35	35	40	45	45	50	55	50	55	63	50	55	63
Dimension B (mm)		26.5	26.5	26.5	26.5	26.5	26.5	28	28	28	41	41	41	41	41	41
Dimension N (mm)		1 192	1 192	1 192	1 192	1 192	1 192	3 356	3 356	3 356	3 407	3 407	3 407	3 407	3 407	3 407
		2 264	2 264	2 264	2 264	2 264	2 264	3 356	3 356	3 356						
		3 356	3 356	3 356	3 356	3 356	3 356									
Dimension G (mm)		24	24	24	24	24	24	32	32	32	35	35	35	35	35	35
Dimension H (mm)		71	69	67.5	87.5	85	82.5	93	90.5	88	95	92.5	88.5	95	92.5	88.5
Dimension Ø J (mm)		70	70	70	70	70	70	103	103	103	122	122	122	122	122	122
Dimension K (mm)		1 98	1 98	1 98	1 98	1 98	1 98	3 122	3 122	3 98	3 141	3 141	3 141	3 141	3 141	3 122
		2 101	2 101	2 101	2 99	2 99	2 99	3 122	3 122	3 98						
		3 122	3 122	3 122	3 122	3 122	3 122									
Dimension Ø T (mm)		88	88	88	88	88	88	136	136	136	160	160	160	160	160	160
Dimension Ø U (mm)		104	104	104	104	104	104	141	141	141	160	160	160	160	160	160
Dimension M (mm)		112	112	112	112	112	112	152.5	152.5	152.5	191	191	191	191	191	191
Dimension P (mm)		243	325	409	268	348	434	332	390	482	345	414	496	345	414	496
Dimension R (mm)		109	109	109	135	135	135	156	156	156	170	170	170	170	170	170
Dimension Ø S (mm)		1 94	1 94	1 94	1 94	1 94	1 94	3 140	3 140	3 140	3 140	3 140	3 140	3 140	3 140	3 140
		2 126	2 126	2 126	2 126	2 126	2 126	3 140	3 140	3 140						
		3 140	3 140	3 140	3 140	3 140	3 140									
Weight (kg)		1 16	1 17	1 18	1 18	1 20	1 21	3 36	3 38	3 41	3 61	3 63	3 67	3 61	3 63	3 67
		2 17	2 18	2 19	2 20	2 22	2 23	3 35	3 37	3 40						
		3 20	3 21	3 22	3 22	3 24	3 25									

For narrow girders and low weight of the electric trolley or if used for other applications than a crane trolley a counterweight to compensate the weight of the motor might be necessary. All single bolt electric trolleys are available with a 24 V control (Power supply by a separate transformer is available as an option).



Advantages

- Easy to install, using standard fastener sets
- A great variety of special parts available including curved rails, turntables, switches, single and double girder crane bridges and fastening equipment
- Taylor made solutions available
- Galvanised or black finish available
- Once the system has been installed it can be upgraded or extended at any time



LIFTKET monorail and light crane system



The LIFTKET monorail profiles are available made from either S235JR material (standard steel) or 1.4301 material (stainless steel except type 600 and 700). Standard steel profiles are in stock with black surface or galvanised. The max. length of each profile is 6 m. Please note, when planning the system: The max. load per meter of monorail has to be checked, especially for buffer sections of the monorail system.

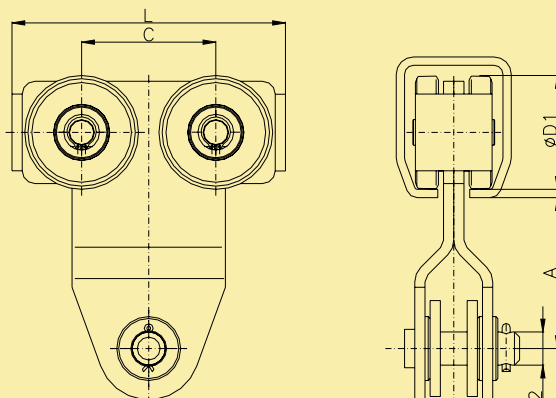
Monorail profile 300 – 700

Profile	H	d	b	s	Wx	Ix	e	Weights	Capacity
	mm	mm	mm	mm	cm ³	cm ⁴	mm	kg/m	kg*
No. 300	35	40	11	2.75	2.52	5.02	19.9	2.52	100
No. 400	43.5	48.5	15	3.2	4.4	10.93	24.8	3.57	200
No. 500	60	65	18	3.6	10.07	34.08	33.8	5.63	500
No. 600	75	80	22	4.5	19.76	83.08	42	8.77	1000
No. 700	110	90	25	6.5	51.68	312.71	60.5	16.46	1600

* Capacity per meter with a suspension distance 1 m

Monorail trolleys for use on the LIFTKET monorail system

Dimension	Trolley type			
	1418	1518	1618	1718
Profile No.	400	500	600	700
L [mm]	100	130	150	214
C [mm]	52	66	75	105
A [mm]	65	76	91.5	117
Diameter 1 [mm]	34	48	60	89
Diameter 2 [mm]	16	20	22	26
B [mm]	30	35	35	45
Load [kg]	125	250	500	1000



Bretteville Taljer & Maskiner AS
Griniveien 159
1359 Eiksmarka
Tel: +47 67 16 69 90
Fax: +47 67 16 68 11
post@brettevilletaljer.no
www.brettevilletaljer.no

Ho 2010/01:

Previous editions are no longer valid. Subject to change without notice.

LIFTKET



Member of

