

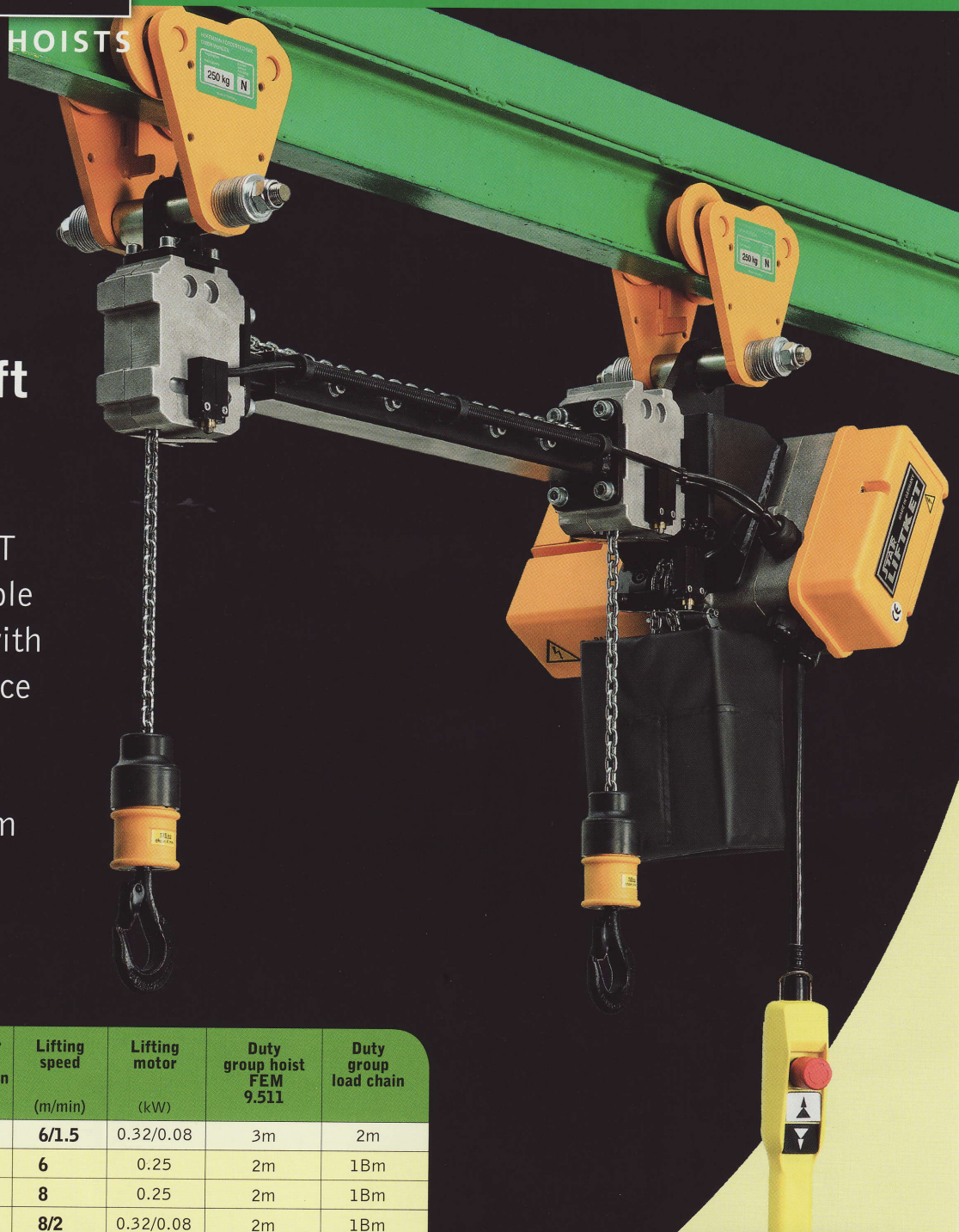
# STAR LIFTKET with two load chains

## LIFTKET

### ELECTRIC CHAIN HOISTS

The perfect solution to lift long loads.

The STAR LIFTKET is currently available up to 2 x 250 kg, with hook to hook distance 600 mm–2000 mm (standard) or 2000 mm–5000 mm (optional).



| Capacity (kg) | Type             | STAR-Model | Number of load chain | Lifting speed (m/min) | Lifting motor (kW) | Duty group hoist FEM 9.511 | Duty group load chain |
|---------------|------------------|------------|----------------------|-----------------------|--------------------|----------------------------|-----------------------|
| 2 x 80        | 2 x 80/1-6/1.5   | 021/82     | 2 x 1                | 6/1.5                 | 0.32/0.08          | 3m                         | 2m                    |
|               | 2 x 125/1-6      | 020/83     | 2 x 1                | 6                     | 0.25               | 2m                         | 1Bm                   |
| 2 x 125       | 2 x 125/1-8      | 020/84     | 2 x 1                | 8                     | 0.25               | 2m                         | 1Bm                   |
|               | 2 x 125/1-8/2    | 021/81     | 2 x 1                | 8/2                   | 0.32/0.08          | 2m                         | 1Bm                   |
| 2 x 160       | 2 x 160/2-3/0.75 | 021/82     | 2 x 2                | 3/0.75                | 0.32/0.08          | 3m                         | 2m                    |
| 2 x 250       | 2 x 250/2-3      | 020/83     | 2 x 2                | 3                     | 0.25               | 3m                         | 2m                    |
|               | 2 x 250/2-4      | 020/84     | 2 x 2                | 4                     | 0.25               | 2m                         | 1Bm                   |
|               | 2 x 250/2-4/1    | 021/81     | 2 x 2                | 4/1                   | 0.32/0.08          | 2m                         | 1Bm                   |

**STAR LIFTKET** MADE IN GERMANY

Bretteville Taljer & Maskiner AS, Griniveien 159, N-1359 Eiksmarka, Norway.

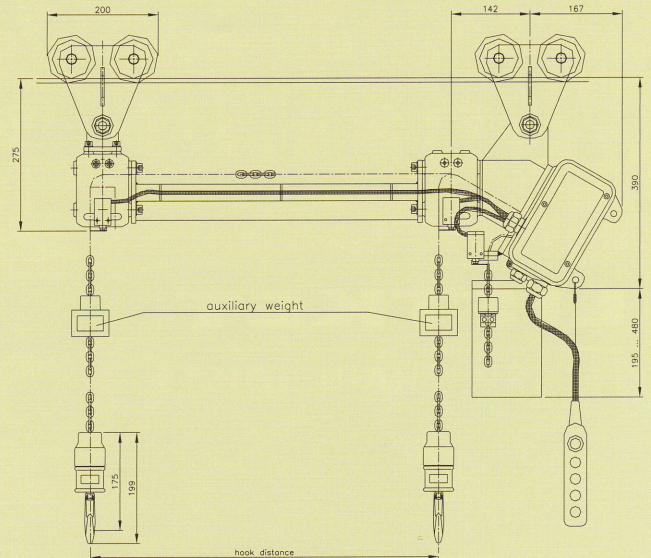
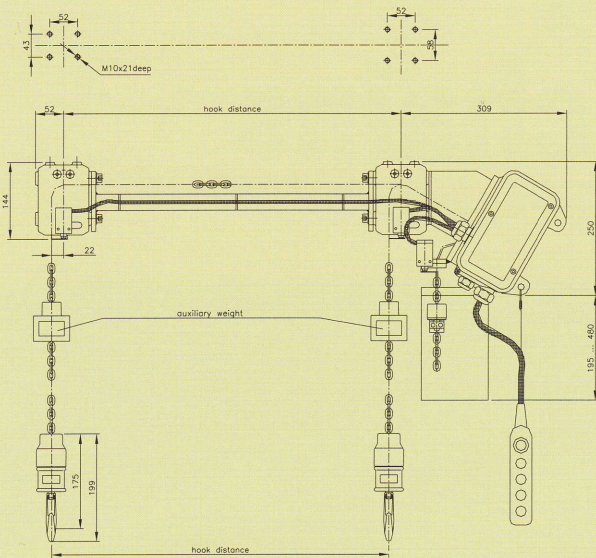
Tel:+47 67 16 69 90, Fax:+47 67 16 68 11

E-mail: post@brettevilletaljer.no. www.brettevilletaljer.no

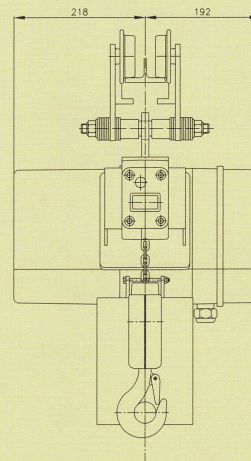
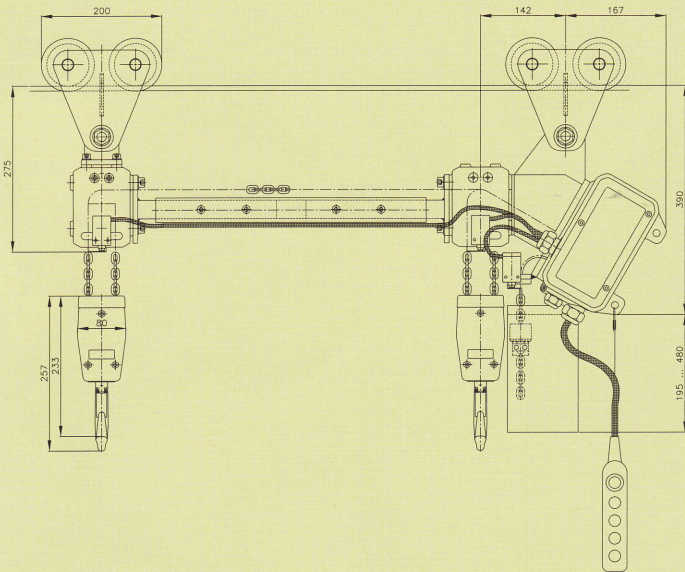


Model with two load chains, single fall, stationary

Model with two load chains, single fall, push trolley



Model with two load chains, double fall, push trolley



### Technical data

- Chain dimension:** 4 x 12 (mm)
- Mode of control:** 24 V low voltage control  
other voltages optional
- Overload protection:** sliding clutch
- Limitation of lifting movements:** electric limits on both load chains
- Suspensions:** stationary  
push trolley  
electric trolley (optional)
- Hook distance:** 600 mm–2000 mm (standard)  
2000 mm–5000 mm (optional)

There will be an auxiliary weight at the chain for hook distances greater than 2.5 m.

Model with two load chains, double fall, electric trolley

