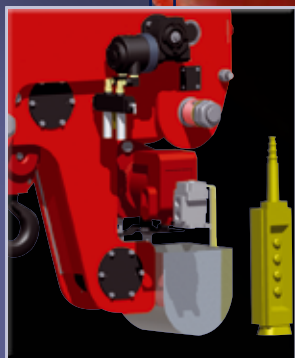


Red Rooster

2012-2013

Air Chain Hoists
0,125-100 tonnes
Compact, Powerful
and Safe



Compact Hoists

Mini Hoists

Air Chain Hoists

Trolleys

Spark Resistant

Hoists

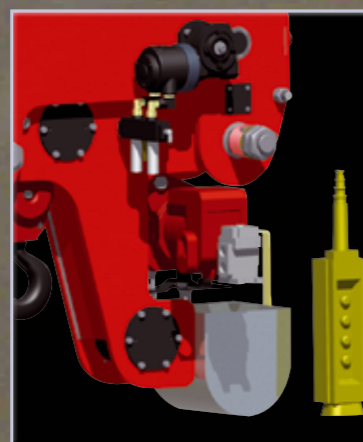
Accessories

Bretteville Tljer & Maskiner AS
Griniveien 159
1359 Eiksamrka
Tlf: +47 67 16 69 90
Fax: +47 67 16 68 11
www.brettevilletaljer.no
post@brettevilletaljer.no

Contents

Why choose for Red Rooster Air Chain Hoists?

	Page
General information	3
Red Rooster Why/Where?	
Compact Hoists	4
Features	
Specs	
Dimensions	
Mini Air Chain Hoists	6
Features	
Specs	
Dimensions	
TCS Air Chain Hoists High Speed	8
Features	
Specs	
Dimensions	
TCR series 0,25 - 6 tonnes	10
Features	
Specs	
Dimensions	
TCR series 9 - 100 tonnes	12
Features	
Specs	
Dimensions	
Air Trolleys 0,125 - 50 tonnes	14
Specs	
Dimensions	
Chain buckets	16
Push & Geared trolleys	17
Low Redroom hoists	18
Explosion Proof	20
Spark Resistant hoists	21
Accessories	22



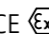
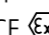
Red Rooster

The Red Rooster Air Chain Hoists are manufactured by Toku Japan, Japanese production stands for high quality, only the best materials are used. All parts are being produced with the smallest tolerances and best suitable heat treatment. **Red Rooster Air Chain Hoists stands for Quality Air Chain Hoists.**

Robust

The Red Rooster Air Chain Hoists are very robust and therefore very suitable for intensive use in industrial environments. The Red Rooster Air Chain Hoists are in use at the most various industries, for example: On- and Offshore, Shipyards, on board of ships, foundry's, paper industry, paint shops, tank cleaning, (petro) chemical industry, galvanizing industry, food industry, automotive industry, construction etc. Humid environment, outside in the field and aggressive atmosphere's. Everywhere where the combination of high performance, reliability and safety is required.

Features Red Rooster Air Chain Hoists:

- 100% duty rating
- Variable speed regulation, precise positioning of the load, soft start and stop, no shock movements
- Compact Design, low headroom
- Load limiter built-in from 1 ton (TCR 500 included) without loss of headroom
- Silenced
- Planetgear durable lubricated
- Safety factor 5
- End Stop system automatic at highest and lowest position of the chain
- Chain according EN 818 - 7
- Overload test at 125% of the WLL
- Spark free air motor
- Usable in explosion dangerous areas:
CE  II 3 GD IIA c T4/T5/T6
- Spark Resistant versions available for:
CE  II 2 GD IIB c T4/T5/T6
- Cord control or pendant control with emergency stop
- Temperature range: -10°C till 70°C

Some users

BASF, BP, British Coal, DAF, Eiffage, Herrenknecht, ICI, Leyland, Marathon, Mobil, Pfizer, P&O, Repsol, Rockwater, Shell UK, Thyssen, Total, Triumph, Unocal and Weatherford.

Compact Hoists - for "Material-Handling"

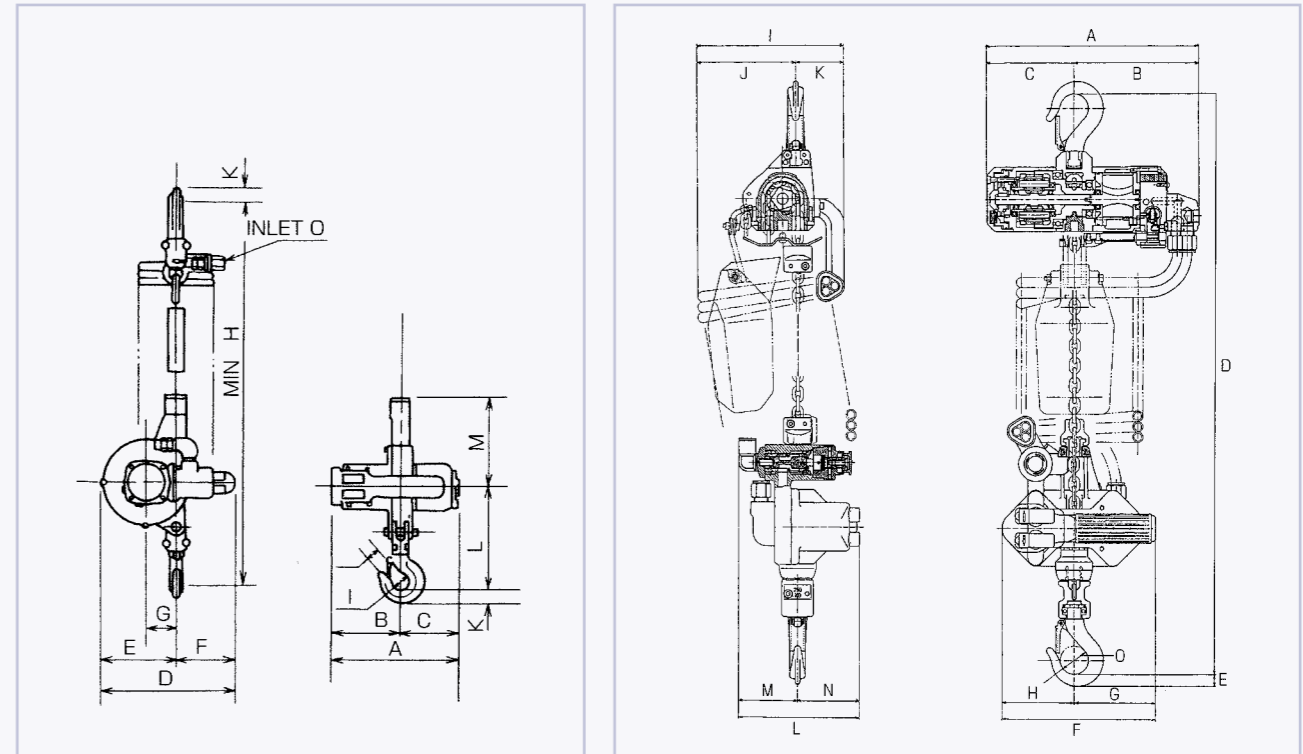
Rooster Compact Hoist
are suitable for
"Material-Handling".
The pendant control is
direct on the lower hook
so the operator can
control and position the
load easy and direct.
The perfect solution for
horizontal movements is
the combination with a
push trolley.



TMM-140A

TCR-250ME

DIMENSIONS IN MM



TMM-140AE

TCR-250ME

Type	A	B	C	D	E	F	G	H	I	J	K	L	M	N	O
TMM-140A	224	116	108	208	114	94	44	573	36	-	15	173	135	-	P/T 3/8
TCR-250ME	286	174	112	837	15	194	102	92	184	123	61	152	74	78	36

TMM-140AE IN USE



HOW TO USE



TMM-140AE
1. Push buttons near the bottom hook.
2. The operator can steer the package with one hand.
3. Better comfort and safety for the operator

FEATURES

- Pendant control direct on the lower hook
- Optimum load control, very precise positioning
- One-hand control
- Variable speed control
- Soft start and stop, no shock movements
- Handle can be positioned for left-hand or right-hand operation
- Endstop system

Type	Capacity t	Lifting speed full load m/min	Lowering speed full load m/min	Lifting speed without load m/min	Lowering speed without load m/min	Number of chain falls	Air consumption full load l/s	Inlet thread	Hose diameter mm	Weight kg incl. 3 m lift	Load limiter	Air trolley	4-button control with emergency stop (VTP-4E)	Chain size mm	Chain weight kg/m	Chain bag/chain bucket	SMC air treatment unit
TMM-140AE	0,14	11,0	15	15,0	11	1 (wire-rope)	8	PT 3/8"	13	9	◇	+	◇	◇	◇	◇	AC30A-F03ET
TCR-250ME	0,25	8	16	19,0	13	1	11,7	PT 3/8"	13	11	◇	+	◇	4,0 x 12,0 (HD)	0,35	*	AC30A-F03ET

Technical specifications at 0,63 MPa (dynamic airpressure at 6,3 Bar)

* = standard, integrated / + = optional / ◇ = not available

Mini Air Chain Hoists - "Light, strong & compact"

The Red Rooster Mini Air Chain Hoists are besides industrial use also very suitable for "Material Handling". Due to the low weight these hoists are very suitable for service applications.



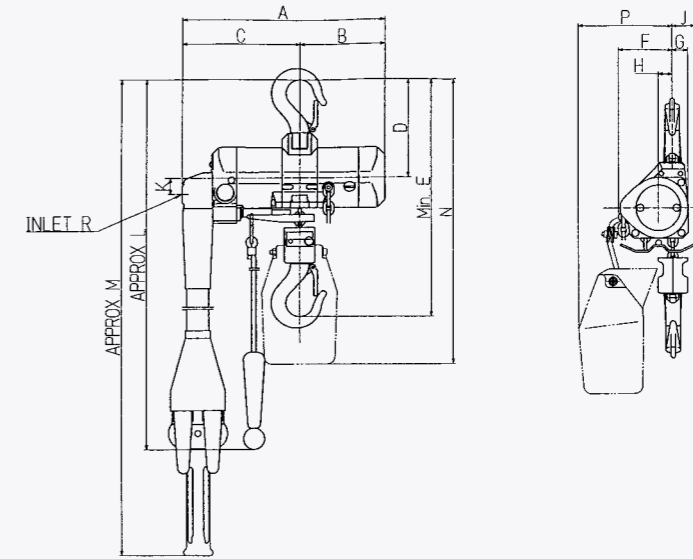
TCR-250DPE

TCR-250C



Trolley's for mini-hoists

DIMENSIONS IN MM



Type	A	B	C	D	E	F	G	H	J	K	L	M	N	P	O
TCR-125C/250C	249	112	137	130	305	71	21	19	833	-	1660	-	375	124	P/T 3/8
TCR-125DP/250DPE	286	112	174	130	305	71	21	19	33	21	-	2310	375	124	P/T 3/8
TCR-500/2C	249	112	137	130	365	71	45	19	31	-	1700	-	375	124	P/T 3/8
TCR-500/2DPE	286	112	174	130	365	71	45	19	33	21	-	2350	375	124	P/T 3/8

FEATURES

- Low weight and therefore very mobile, easy mounting
- TCR 250 only 7 kg, 3 meter lift included
- Precise variable speed control (cord - and pendant control)
- Very compact design
- Robust aluminium housing
- Air motor is cooled by the exhaust air (internal)
- Cord control or pendant control
- Quiet, low noise level, silenced

CHAIN BAG

TCR-250

Description	Model	Type	Max. m
Chain bag	A	SW-0	12
Chain bag	A	SW-00	20

TCR-500/2

Description	Model	Type	Max. m
Chain bag	A	SW-0	6
Chain bag	A	SW-00	10

TCR-125

Description	Model	Type	Max. m
Chain bag	A	SW-0	12
Chain bag	A	SW-00	20



Chain bag model A

Type	Capacity t	Lifting speed full load m/min	Lowering speed full load m/min	Lifting speed without load m/min	Lowering speed without load m/min	Number of chain falls	Air consumption full load l/s	Inlet thread	Hose diameter mm	Weight kg incl. 3 m lift	Load limiter	Air trolley	4-button control with emergency stop (VTP-4E)	Chain size mm	Chain weight kg/m	Chain bag/chain bucket	SMC air treatment unit
TCR-125C	0,125	14	16	19	13	1	11,7	PT 3/8"	13	7	◇	+	+	4,0 x 12,0 (HD)	0,35	+	AC30A-F03ET
TCR-125DPE	0,125	12,8	14,8	17,2	13	1	11,7	PT 3/8"	13	8,6	◇	+	+	4,0 x 12,0 (HD)	0,35	+	AC30A-F03ET
TCR-250C	0,25	9,3	17	19,0	13	1	11,7	PT 3/8"	13	7	◇	+	+	4,0 x 12,0 (HD)	0,35	+	AC30A-F03ET
TCR-250DPE	0,25	8,1	15,9	17,2	13	1	11,7	PT 3/8"	13	8,6	◇	+	+	4,0 x 12,0 (HD)	0,35	+	AC30A-F03ET
TCR-500/2C	0,5	4,5	8,5	9,5	6,5	2	11,7	PT 3/8"	13	8,5	◇	+	+	4,0 x 12,0 (HD)	0,35	+	AC30A-F03ET
TCR-500/2DPE	0,5	4,5	8,5	9,5	6,5	2	11,7	PT 3/8"	13	8,5	◇	+	+	4,0 x 12,0 (HD)	0,35	+	AC30A-F03ET

Technical specifications at 0,63 MPa (dynamic airpressure at 6,3 Bar)

* = standard, integrated / + = optional / ◇ = not available

TCS Air Chain Hoists - High Speed

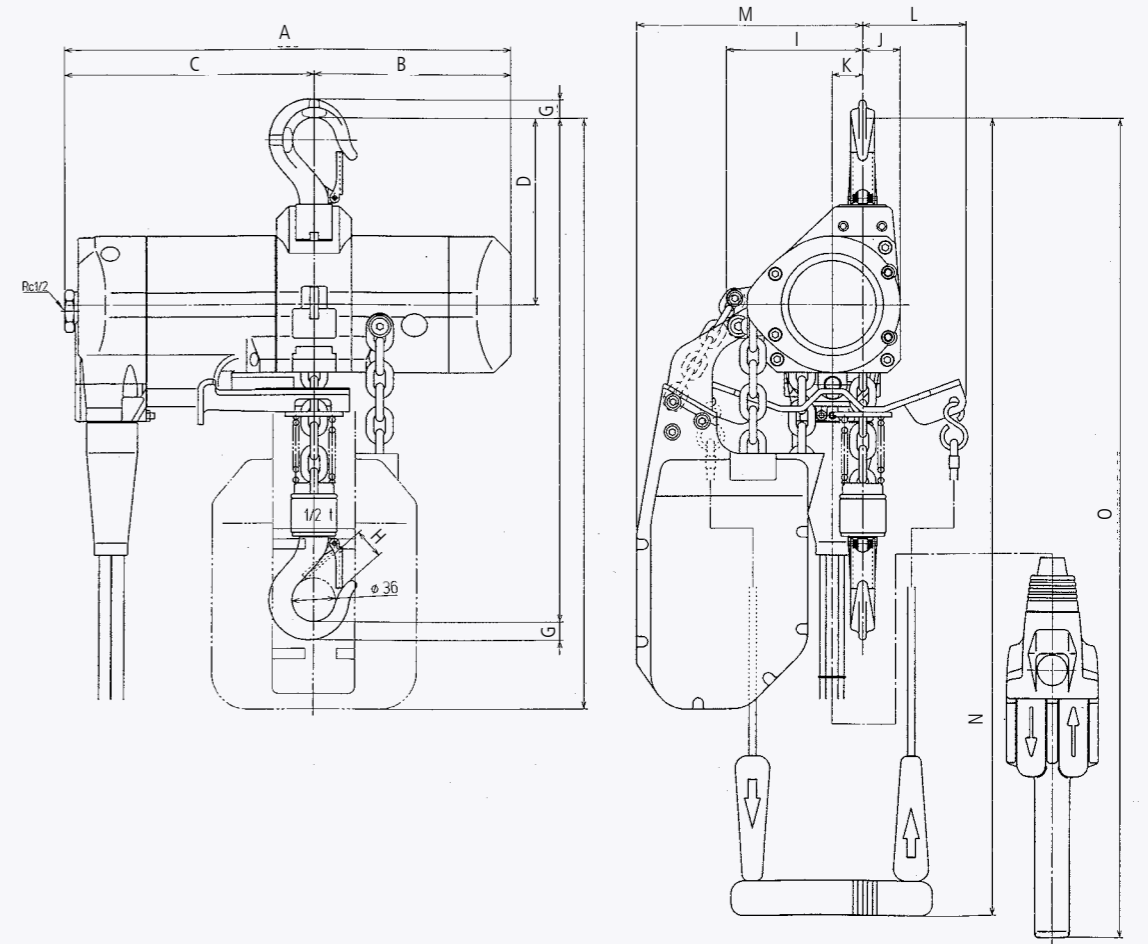
Red Rooster Air Chain Hoists are especially developed for the "Material Handling Industry". For example: warehousing, packing etc. These hoists have a very high lifting and lowering speed. Therefore they are very suitable for applications with long lifting heights.



FEATURES

- Very high lifting and lowering speeds
- Maximum speed adjustable, lifting and lowering speed independent from each other
- Precise variable speed control (cord - and pendant control)
- Optimum control of the load, very precise positioning
- Compact and light weight
- Exhaust hose easy to assemble
- Endstop system
- Air motor is cooled by the exhaust air (internal)
- Cord control or pendant control
- Chain bag standard, max. 7 mtr. chain (larger available on request)
- Quiet, low noise level, silenced
- Aluminium housing

DIMENSIONS IN MM



Type	A	B	C	D	E	F	G	H	I	J	K	L	M	N	O
TCS-500PE	365	161	204	151	414	555	15	25	112	31	25	85	197	-	2480
TCS-500C	365	161	204	151	414	555	15	25	112	31	25	85	197	1700	-
TCS-980P2E	365	161	204	173	456	577	29,5	29	136	37	49	70	221	-	2500
TCS-980C2	365	161	204	173	456	577	29,5	29	136	37	49	70	221	1720	-

Type	Capacity t	Lifting speed full load m/min	Lowering speed full load m/min	Lifting speed without load m/min	Lowering speed without load m/min	Number of chain falls	Air consumption full load l/s	Inlet thread	Hose diameter mm	Weight kg incl. 3 m lift	Load limiter	Air trolley	4-button control with emergency stop (VTP-4E)	Chain size mm	Chain weight kg/m	Chain bag/chain bucket	SMC air treatment unit
TCS-500C/PE	0,5	17	43	33	19	1	33	PT 1/2"	13	15,9	◇	+	+	6,3 x 19,1	0,9	+	AC40A-F04ET
TCS-980C2/P2E	0,99	8,5	21,5	16,5	9,5	2	33	PT 1/2"	13	16,8	◇	+	+	6,3 x 19,1	0,9	+	AC40A-F04ET

Technical specifications at 0,63 MPa (dynamic airpressure at 6,3 Bar)

* = standard, integrated / + = optional / ◇ = not available

TCR series 0,25 - 6 tonnes

These Red Rooster Air Chain Hoists are especially developed for heavy industrial use. Robust cast steel body. Valveblock same for all models, less spare parts. Standard with load limiter.



TCR-1000PE

TCR-3000PE

FEATURES

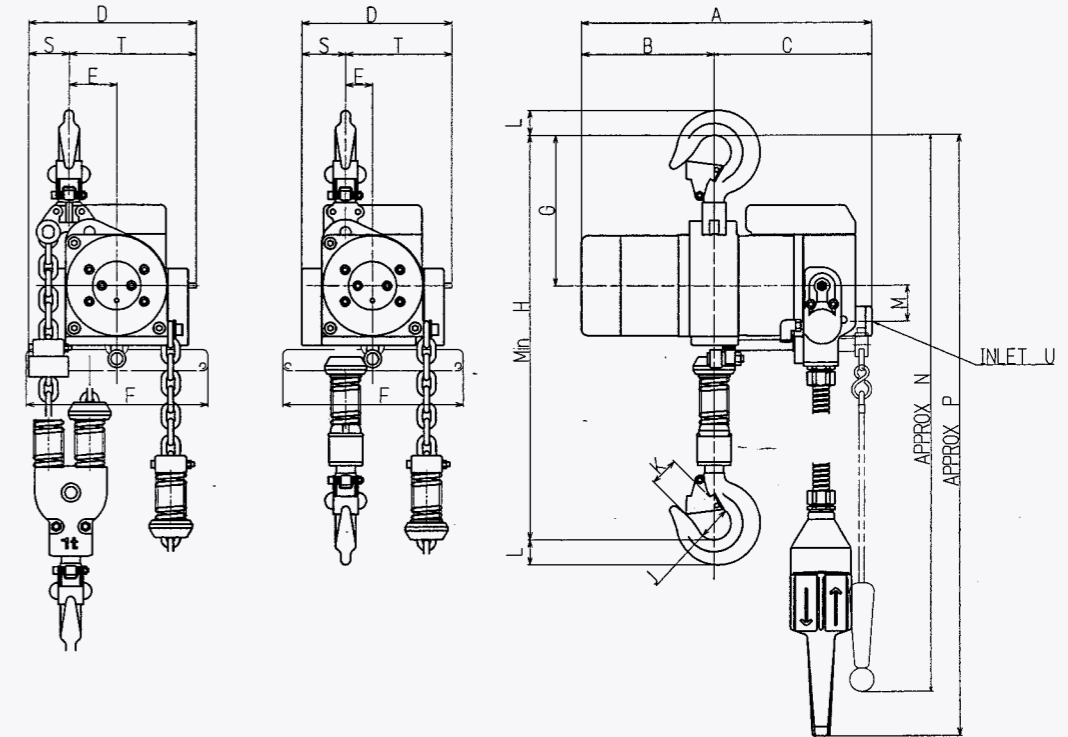
- Precise variable speed control (cord- and pendant control)
- Optimum control of the load, very precise positioning
- Compact design
- Endstop system
- Load limiter built-in without loss of headroom
- Cord control or pendant control
- Quiet, low noise level, silenced
- Air pressure 0,4 - 0,63 MPa (4 - 6,3 Bar)

CHAIN BUCKETS

For chain buckets see page 16.



DIMENSIONS IN MM



Type	A	B	C	D	E	F	G	H	J	K	L	M	N	P	S	T	U
TCR-250/500PE	342	156	186	149	32	-	177	462	40	29	29	42	-	2620	52	124	Rc1/2
TCR-250/500C	342	156	186	149	32	212	177	426	40	29	29	42	1860	-	52	124	Rc1/2
TCR-1000P2E	342	156	186	180	56	-	177	519	40	29	29	42	-	2620	47	148	Rc1/2
TCR-1000C2	342	156	186	180	56	212	177	519	40	29	29	42	1860	-	47	148	Rc1/2
TCR-1000PE	342	156	186	157	32	-	177	466	40	29	29	42	-	2620	40	124	124
TCR-1000C	342	156	186	157	32	212	177	486	40	29	29	42	1860	-	40	124	Rc1/2
TCR-2000P2E	342	156	186	194	59	-	211	580	45	29	37	42	-	2650	50	152	Rc1/2
TCR-2000C2	342	156	186	194	59	212	211	580	45	29	37	42	1890	-	50	152	Rc1/2
TCR-3000PE	449	202	247	245	43	-	249	563	50	34	45	42	-	2690	47	176	Rc1/2
TCR-3000C	449	202	247	245	43	212	249	563	50	34	45	42	1930	-	47	176	Rc1/2
TCR-6000P2E	449	202	247	275	87	-	275	690	65	42	49	42	-	2720	63	220	Rc1/2
TCR-6000C2	449	202	247	275	87	212	275	690	65	42	49	42	1960	-	63	220	Rc1/2

Type	Capacity t	Lifting speed full load m/min	Lowering speed full load m/min	Lifting speed without load m/min	Lowering speed without load m/min	Number of chain falls	Air consumption full load l/s	Inlet thread	Hose diameter mm	Weight kg incl. 3 m lift	Load limiter	Air trolley	4-button control with emergency stop (VTP-4E)	Chain size mm	Chain weight kg/m	Chain bag/chain bucket	SMC air treatment unit
TCR-600250 C/PE	0,25	10,5	17,9	20,5	13,4	1	25	PT 1/2"	13	31	*	+	+	6,3 x 19,1	0,9	+	AC40A-F04ET
TCR-500 C/PE	0,5	10,5	17,9	20,5	13,4	1	25	PT 1/2"	13	31	*	+	+	6,3 x 19,1	0,9	+	AC40A-F04ET
TCR-1000/2 C/PE	1	5,3	9,0	10,3	6,7	2	25	PT 1/2"	13	34	*	+	+	6,3 x 19,1	0,9	+	AC40A-F04ET
TCR-1000 C/PE	1	6,0	10,3	11,3	6,8	1	25	PT 1/2"	13	35	*	+	+	7,1 x 21	1,1	+	AC40A-F04ET
TCR-2000/2 C/PE	2	3,0	5,2	5,7	3,4	2	25	PT 1/2"	13	40	*	+	+	7,1 x 21	1,1	+	AC40A-F04ET
TCR-3000 C/PE	3	2,8	4,6	5,4	3,3	1	33	PT 1/2"	19	69	*	+	+	11,2 x 34	2,2	+	AC40A-F04ET
TCR-6000/2 C/PE	6	1,4	2,3	2,7	1,7	2	33	PT 1/2"	19	90	*	+	+	11,2 x 34	2,2	+	AC40A-F04ET

Technical specifications at 0,63 MPa (dynamic airpressure at 6,3 Bar)

* = standard, integrated / + = optional / ◊ = not available

TCR series 9 - 100 tonnes

These Red Rooster Air Chain Hoists are especially developed for heavy industrial applications. Robust cast steel body. Standard with load limiter.



RRI-610040

RRI-625040

FEATURES

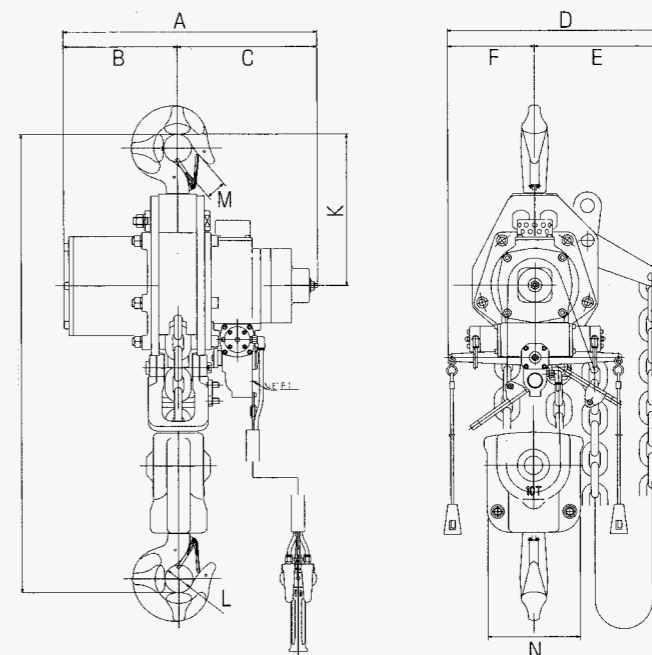
- Precise variable speed control (Cord - and pendant control)
- Optimum control of the load, very precise positioning
- Compact design
- Endstop system
- Load limiter built-in without loss of headroom
- Cord control or pendant control
- Quiet, low noise level, silenced
- Air pressure 0,4 - 0,63 MPa (4 - 6,3 Bar)

Shackle version:

Low head room, low weight and simple assembly.

Capacity's up until 100 tonnes on request, such as: 40, 60 or 100 tonnes and so on.

DIMENSIONS IN MM



Type	A	B	C	E	F	H	L & M
RRI-9000/3	449	202	247	222	155	842	50
RRI-610040	560	247	302	280	165	890	40
RRI-1200/4	441	191	250	310	210	900	57
RRI-15000/5	441	191	250	270	210	90	83
RRI-615060	549	247	302	290	180	1250	85
RRI-620080	549	247	302	30	200	1350	100
RRI-625040	710	335	346	313	165	1440	80
RRI-625100	549	247	302	360	165	1378	80
RRI-635060	710	335	346	400	250	1550	100
RRI-635080	710	335	346	350	250	1980	100
RRI-650080	710	335	346	350	250	1505	-

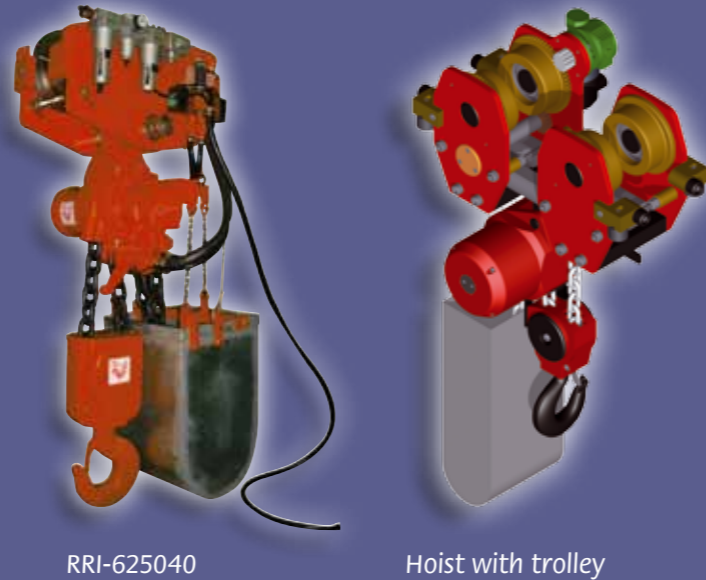
Type	Capacity t	Lifting speed full load m/min	Lowering speed full load m/min	Lifting speed without load m/min	Lowering speed without load m/min	Number of chain falls	Air consumption full load l/s	Inlet thread	Hose diameter mm	Weight kg incl. 3 m lift	Load limiter	Air trolley	4-button control with emergency stop (VTP-4E)	Chain size mm	Chain weight kg/m	Chain bag/chain bucket	SMC air treatment unit
TCR-9000/3*	9	0,95	1,6	1,8	1,1	3	33	PT 1/2"	19	150	*	+	+	11,2 x 34	2,2	+	AC40A-F04ET
RRI-610040 C/PE	10	1,5	2,3	2,2	1,8	2	90	PT 1"	25	190	*	+	+	16 x 45	5,0	+	AC50-F06ET
TCR-12000/4 C/PE*	12	0,7	1,2	1,4	0,8	4	33	PT 1/2"	19	170	*	+	+	11,2 x 34	2,2	+	AC40A-F04ET
TCR-15000/5 C/PE*	15	0,6	0,9	1,1	0,7	5	33	PT 1/2"	19	221	*	+	+	11,2 x 34	2,2	+	AC40A-F04ET
RRI-615060 C/PE*	15	1,0	1,5	1,7	1,2	3	90	PT 1"	25	190	*	+	+	16 x 45	5,0	+	AC50-F06ET
RRI-620080 C/PE*	20	0,8	1,2	1,2	0,9	4	90	PT 1"	25	240	*	+	+	16 x 45	5,0	+	AC50-F06ET
RRI-625040 C/PE	25	0,5	0,7	0,7	0,5	2	120	PT 1"	25	320	*	+	+	22 x 66	10,0	+	AC60-F10ET
RRI-625100 C/PE*	25	0,6	0,9	0,9	0,7	5	90	PT 1"	25	455	*	+	+	16 x 45	5,0	+	AC50-F06ET
RRI-635060 C/PE*	37,5	0,3	0,5	0,5	0,3	3	120	PT 1"	25	850	*	+	+	22 x 66	10,0	+	AC60-F10ET
RRI-650080 C/PE*	50	0,25	0,35	0,35	0,25	4	120	PT 1"	25	1.100	*	+	+	22 x 66	10,0	+	AC60-F10ET
RRI-675120 C/PE*	75	0,2	0,2	0,2	0,2	6	120	PT 1"	25	1.500	*	+	+	22 x 66	10,0	+	AC60-F10ET

* On request: available in shackle version
 Technical specifications at 0,63 MPa (dynamic airpressure at 6,3 Bar)

* = standard, integrated / + = optional / ◇ not available

Air Trolleys 0,125 - 50 tonnes

All air trolleys can be supplied as Spark Resistant version, Type number with additional "SR" (ordernumber will be: ATPSR...). Spark resistant version is Category 2 (Zone 1 and Zone 21). Trolley's for hoists up to 100 ton are available on request.

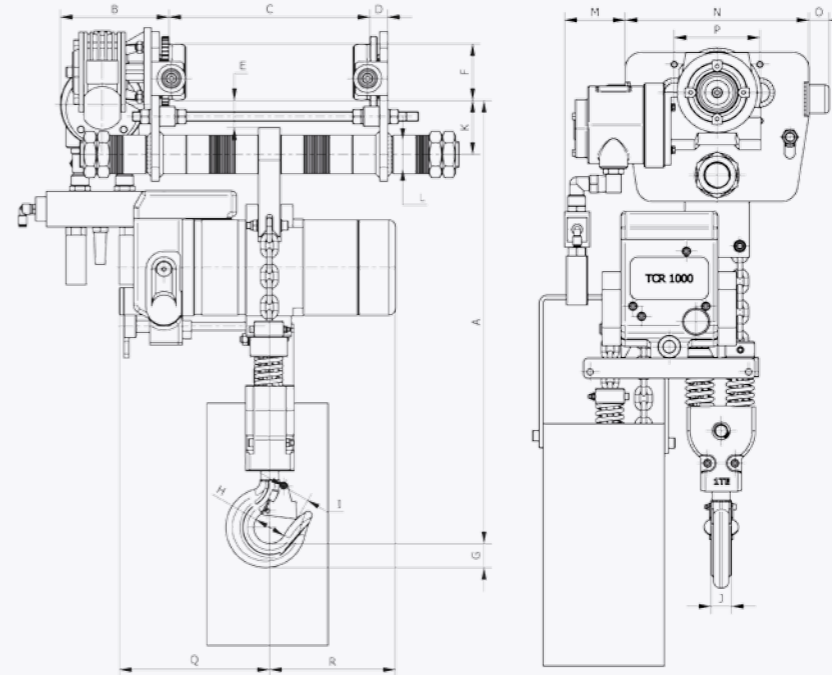


For hoists	Capacity t	Type	Type air trolley	Flange width mm	Trav. speed full load m/min	Min. bend radius m	Number of wheels	Driven wheels	Air consumption full load l/s	Inlet thread
TCR-125 TCR-250 TCR-500/2	0,125	ATP500	1N	76-164	0-12	1,5	4	2	13	PT 3/8"
	0,5	ATP500	1N	76-164	0-12	1,5	4	2	13	PT 3/8"
	0,250	ATP500	1N	76-164	0-12	1,5	4	2	13	PT 3/8"
TCR-600250 TCR-500 TCS-500	0,5	ATP600250/1	1N	63-170	0 - 9,5	1,5	4	2	25	PT 1/2"
	0,5	ATP600520/2	2N	171-310	0 - 9,5	1,5	4	2	25	PT 1/2"
TCR-1000/2 TCR-1000	1	ATP601040/1	1N	63-170	0 - 9,5	1,5	4	2	25	PT 1/2"
	1	ATP601040/2	2N	171-310	0 - 9,5	1,5	4	2	25	PT 1/2"
TCR-2000/2	2	ATP602040/1	1N	63170	0 - 9,5	1,5	4	2	25	PT 1/2"
	2	ATP602040/2	2N	171-310	0 - 9,5	1,5	4	2	25	PT 1/2"
TCR-3000	3	ATP603020/1	1N	75-160	0 - 9,5	2	4	2	50	PT 3/4"
	3	ATP603020/2	2N	161-310	0 - 9,5	2	4	2	50	PT 3/4"
TCR-6000/2	6	ATP606040/1	1N	93-160	0 - 9,5	2,5	4	2	50	PT 3/4"
	6	ATP606040/2	2N	161-320	0 - 9,5	2,5	4	2	50	PT 3/4"
RRI-610040	10	ATP610040/1	1N	158-196	0 - 9,5	2,5	4	2	50	PT 3/4"
	10	ATP610040/2	2N	197-310	0 - 9,5	2,5	4	2	50	PT 3/4"
TCR-9000/3 TCR-12000/4	9 & 12	ATP612060/1	1N	138-196	0 - 9,5	2,5	4	2	50	PT 3/4"
	9 & 12	ATP612080/2	2N	197-310	0 - 9,5	2,5	4	2	50	PT 3/4"
TCR-15000/5 RRI-615060	15	ATP-6150100/1	1N	106-154	0 - 6,3	3	4	2	50	PT 1"
	15	ATP-6150100/2	2N	155-320	0 - 6,3	3	4	2	50	PT 1"
RRI-620080 RRI-625040	20 & 25	ATP-625080/1	1N	110-200	0 - 4,0	3	4	2	50	PT 1"
	20 & 25	ATP-625040/1	2N	200-320	0 - 4,0	3	4	2	50	PT 1"
RRI-620080 RRI-625040	20 & 25	ATP-620080/1	1N	160-199	0 - 9,5	*	8	4	100	PT 1"
	20 & 25	ATP-625040/2	2N	200-320	0 - 9,5	*	8	4	100	PT 1"
RRI-635060	35	ATP-635060/1	1N	220-250	0 - 4,0	*	8	4	100	PT 1 1/4"
	35	ATP-635060/2	2N	250-320	0 - 4,0	*	8	4	100	PT 1 1/4"
RRI-650080	50	ATP-650080/1	1N	220-250	0 - 4,0	*	8	4	100	PT 1 1/4"
	50	ATP-650080/2	2N	250-320	0 - 4,0	*	8	4	100	PT 1 1/4"
RR-650080	50	ATP-650080/1	1N	160-250	0 - 6,3	*	16	8	200	PT 1 1/2"
	50	ATP-650080/2	2N	250-320	0 - 6,3	*	16	8	200	PT 1 1/2"

* only straight beam
Technical specifications at 0,63 MPa (dynamic airpressure at 6,3 Bar)

Temperature range: -10°C up to 50°C
Note: Other beam sizes and air trolley's for smaller radius are available on request.

DIMENSIONS IN MM

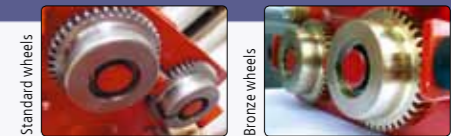


Trolley type	For hoists	A mm	B mm	C mm	D mm	E mm	F mm	G mm	H mm	I mm	J mm	K mm	L mm	M mm	N mm	O mm	P mm	Q mm	R mm
ATP500	TCR 125	on request																	
ATP500	TCR-250	on request																	
ATP500	TCR-500/2	on request																	
ATP600520	TCR-600250	on request																	
ATP600520	TCR-500	498	135	249	22	27	70	30	40	36	25	67	33	75	227	25	106	185	157
ATP600520	TCS-500	on request																	
ATP601040	TCR-1000/2	549	135	249	22	34	70	29	40	29	25	67	35	75	227	25	106	186	156
ATP601020	TCR-1000	534	135	249	22	27	70	29	40	29	25	67	35	75	227	25	106	186	156
ATP602040	TCR-2000/2	610	135	249	22	34	70	37	45	29	30	67	35	75	227	25	106	186	156
ATP603020	TCR-3000	639	137	249	24	55	100	45	50	34	35	100	35	29	320	25	148	247	202
ATP606040	TCR-6000	717	145	279	32	55	150	49	65	42	42	100	45	25	460	25	216	247	202
ATP612040	TCR-9000/3	940	223	284	37	55	150	60	75	53	42	100	45	59	460	25	216	247	202
ATP610040	RRI-610040	904	223	284	37	50	150	62	60	40	60	100	45	59	460	49	219	313	249
ATP612080	TCR-12000/4	940	223	284	37	55	150	67	84	58	52	100	45	59	460	25	216	202	247
ATP615100	TCR-15000/5	1170	251	274	35	43	180	67	84	58	52	110	50	56	530	25	252	211	238
ATP615060	RRI-615060	1121	251	274	35	43	180	67	84	58	52	110	50	56	530	25	252	313	249
ATP625040	RRI-620080	on request																	
ATP625040	RRI-625040	on request																	
ATP620080	RRI-620080	1215	223	284	37	45	150	80	110	78	64	100	45	59	940	69	480	313	249
ATP620080	RRI-625040	1375	223	284	37	45	150	103	125	80	70	100	45	59	940	25	480	346	366
ATP635060	RRI-635060	1685	251	208	35	35	180	118	140	100	95	110	50	53	1018	25	550	346	366
ATP650080	RRI-650080	2087	268	306	57	40	240	132	140	100	106	120	60	25	1920	25	1100	346	366
ATP650080	RRI-650080	2107	251	274	35	50	180	132	140	100	106	110	50	56	2180	25	1650	346	366

GOOD TO KNOW

All Red Rooster trolleys can be adjusted at various flange sizes and versions. The wheels have closed for life lubricated bearings and are driven by a wormgear. The powerful vane motor and the closed gearbox features a fine speed control and brake function. Anti- drop plates are standard.

Optional: rack and pinion drive, pneumatic end stop and rotating hangereye (for ship applications and "BOP Handling System" Off-shore).



Standard the trolleys are equipped wheels of casting steel. Spark resistant version have bronze wheels and rubber end stoppers.

Chain buckets

CHAIN BUCKETS



Description	Model	TCR-600250		TCR-500		TCR-1000/2		TCR-1000	
		Type	Max. m	Type	Max. m	Type	Max. m	Type	Max. m
Chain bag	A	SW-1	14	SW-1	14	SW-1	7	SW-2	10
Chain bucket	B	A	7	A	7	A	4	AA	7
Chain bucket	B	D	11	D	11	D	6	DD	10
Chain bucket	B	E	17	E	17	E	8	EE	15
Chain bucket	B	F	34	F	34	F	18	FF	28
Chain bucket	B	G	46	G	46	G	23	GG	40
Chain bucket	C	GB-600520/6	6	GB-600520/6	6	GB-601040/3	3	GB-601020/3	3
Chain bucket	C	GB-600520/12	12	GB-600520/12	12	GB-601040/6	6	GB-601020/6	6
Chain bucket	C	GB-600520/18	18	GB-600520/18	18	GB-601040/9	9	GB-601020/9	9
Chain bucket	C	GB-600520/24	24	GB-600520/24	24	GB-601040/12	12	GB-601020/12	12
Chain bucket	C	GB-600520/30	30	GB-600520/30	30	GB-601040/15	15	GB-601020/15	15
Chain bucket	C	GB-600520/36	36	GB-600520/36	36	GB-601040/18	18	GB-601020/18	18

Description	Model	TCR-2000/2		TCR-3000		TCR-6000/2	
		Type	Max. m	Type	Max. m	Type	Max. m
Chain bag	A	SW-2	5	KAON3	6	-	-
Chain bucket	B	AA	3	-	-	-	-
Chain bucket	B	DD	5	-	-	-	-
Chain bucket	B	EE	7	-	-	-	-
Chain bucket	B	FF	14	-	-	-	-
Chain bucket	B	GG	20	-	-	-	-
Chain bucket	C	GB-602040/3	3	GB-603020/3	3	GB-606040/3	3
Chain bucket	C	GB-602040/6	6	GB-603020/6	6	GB-606040/6	6
Chain bucket	C	GB-602040/8	8	GB-603020/8	8	GB-606040/8	8
Chain bucket	C	GB-602040/12	12	GB-603020/12	12	GB-606040/12	12
Chain bucket	C	GB-602040/15	15	GB-603020/15	15	GB-606040/15	15
Chain bucket	C	GB-602040/18	18	GB-603020/18	18	GB-606040/18	18

Push & Geared trolleys

These trolleys for air chain hoists are available up to 10 ton capacity. Standard as hook-in version and on request as build-in version.



Push trolley PT



Geared trolley GT

FEATURES

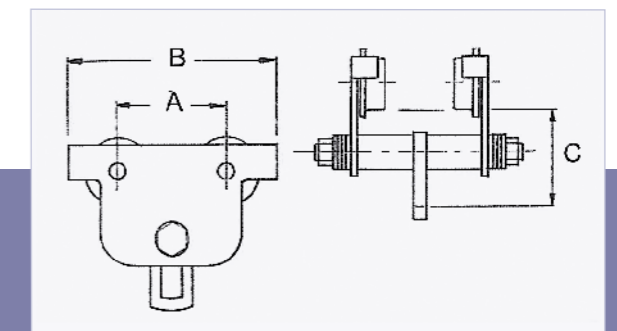
- 4 wheels (2 driven)
- Good weight/capacity ratio
- Steel or bronze wheels
- Wheels for parallel and conical beam flanges
- Heavy duty closed bearings
- 1 Range of beam sizes, bigger sizes on request
- Precision wheels
- Anti drop plates
- Rubber end stopper (spark resistant version)

Trolley's

These trolleys for air chain hoists are available up to 10 ton capacity. Standard as hook-in version and on request as build-in version.

Optional

- Spark resistant version (Category 2, Zone 1 and Zone 21)
- Marine paint (with certificate)
- Special corrosion protection
- Low head room version
- Other special version on request



DIMENSIONS PUSH TROLLEY'S AND GEARED TROLLEYS PT & GT

Type PT	Type GT	For hoists	Flange range 1	Flange range 2	A	B	C PT	C GT	Min. band radius	Type PT weight kg	Type GT weight kg
PT-600250/1	GT-600250/1	TCR 250, 500	64 - 140	75 - 140	107	212	148,5	198,5	1,0	7	14
PT-600520/1	GT-600520/1	TCR 250S, 500C	64 - 140	75 - 140	107	212	148,5	198,5	1,0	7	14
PT-601040/1	GT-601040/1	TCR-1000C2	64 - 140	75 - 140	117	255	231,5	231,5	1,0	12	19
PT-601020/1	GT-601020/1	TCR-1000C	64 - 140	75 - 140	117	255	231,5	231,5	1,0	12	19
PT-602040/1	GT-602040/1	TCR-2000C2	76 - 165	85 - 165	137	302	278	278	1,1	22	29
PT-603020/1	GT-603020/1	TCR-3000C	76 - 203	90 - 203	157	344	378	378	1,3	30	40
PT-606040/1	GT-606040/1	TCR-6000C	82 - 170	83 - 170	216	460	215	215	2,05	48	62
PT-609060/1	GT-609060/1	TCR-9000/3	110 - 190	110 - 190	216	460	275	275	2,05	60	84
PT-610040/1	GT-610040/1	RRI-610040	110 - 190	110 - 190	216	460	275	275	2,05	60	84

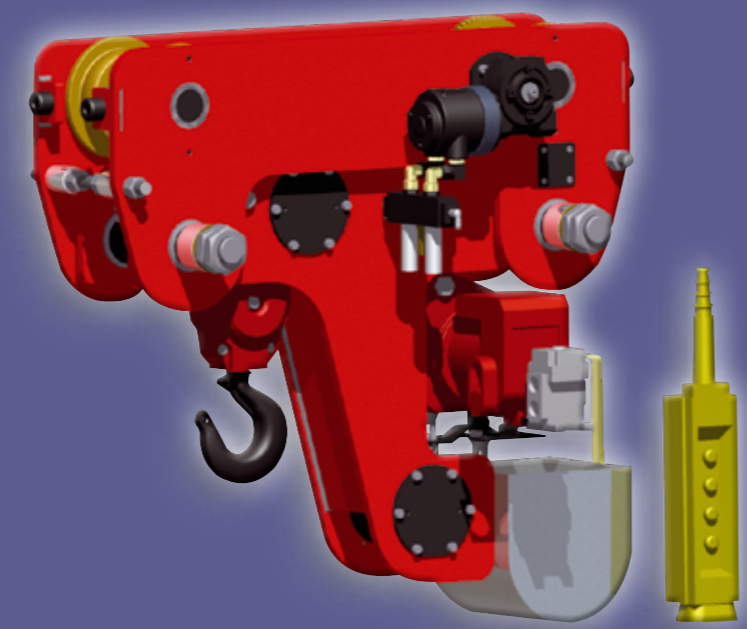
Note: Other beam sizes are available on request. Capacity and dimensions are the same for spark resistant versions. Ordernumber with additional "SR" will be: PITSR.../GTSR...

STANDARD

Low Headroom Hoists

With the LHATP series we introduce a new range of trolley's for those applications where a standard trolley has a too big headroom.

With this special version the hoist is built-in in the frame of the trolley to decrease the distance of the lower hook to the beam to an absolute minimum.



Low headroom 6 ton

New: LHATP low headroom hoists
The trolley for applications for limited head room.
Capacity: 2 - 12 ton

FEATURES

- State of the art with new drive motor for the trolley
- Low maintenance and wearing of the drive motor through less parts
- Accurate speed control at lifting and lowering
- Accurate speed control of the trolley
- Adjustable at a range of beam sizes

The low head room trolley's are available as standard version (order- number LHATP...) or as spark resistant version with bronze wheels, bronze coated hooks for explosion dangerous areas (order number LHATPSR) with Atex certificate.

Optional

- Rack and pinion drive
- Marine paint (with certificate)

DIMENSIONS IN MM

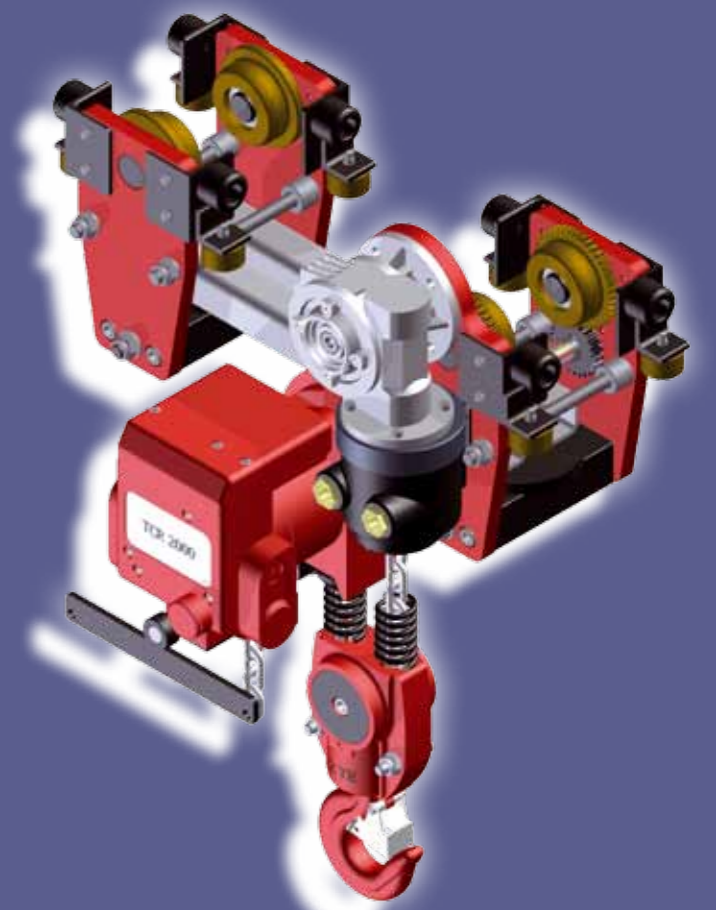
Typ	A mm	C mm	F mm	G mm	H mm	J mm	L mm	M mm	W mm
LHATP-2000	115	140	138	245	333	656	570	520	27
LHATP-3000	115	140	294	400	370	830	975	925	35
LHATP-6000	115	140	294	400	475	830	975	925	35
LHATP-12000	160	160	398	425	609	873	1.235	1.185	40

Red Rooster Specials

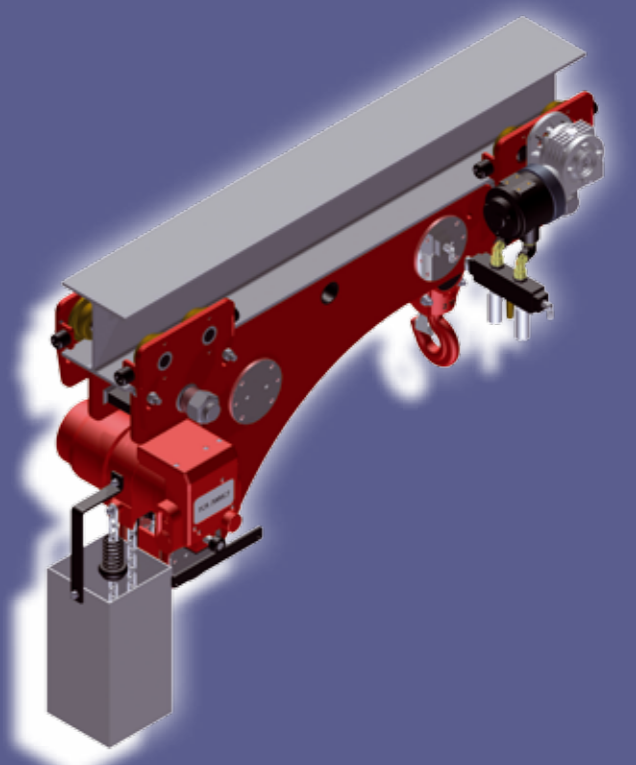
Apart from the wide variety of standard Red Rooster air chain hoists and trolleys in this catalogue that are fit for most purposes and applications, Red Rooster also offers special solutions.

Most of the specifications we can adjust to your specific demands. If the Red Rooster standard does not fit your purpose, please enquire for a tailor made solution.

For example we can do special capacities, like a 5 tonnes single fall, or a 60 tonnes hoist. We can deliver the trolley with a beam brake, or rack and pinion drive. In opposite two examples.



Articulated trolley for beams with exceptional small radius.



Ultra low headroom unit, offering the lowest possible headroom, for example for Big Bag handling.

The Red Rooster Air Chain Hoists are very suitable to be used in explosion dangerous areas because air does not generate sparks (on the contrary to electricity). Red Rooster Spark Resistant Air Chain hoists are very economical, and supplied to interesting prices.

In various industries like (petro) chemical industry, oil/gas industry, offshore, power plants, mining, food industry and many other industries an explosion dangerous atmosphere can arise during processing, transporting or warehousing due to gas, vapor or dust.



TCR-2000/2+ATPSR602040/1

CLASSIFICATION RED ROOSTER

For explosion dangerous areas/atmospheres, the European Directive 99/92/EG (Atex 137) is in force. The area/atmosphere must be classified and scaled in the specific Category (Zone) according to this Directive.

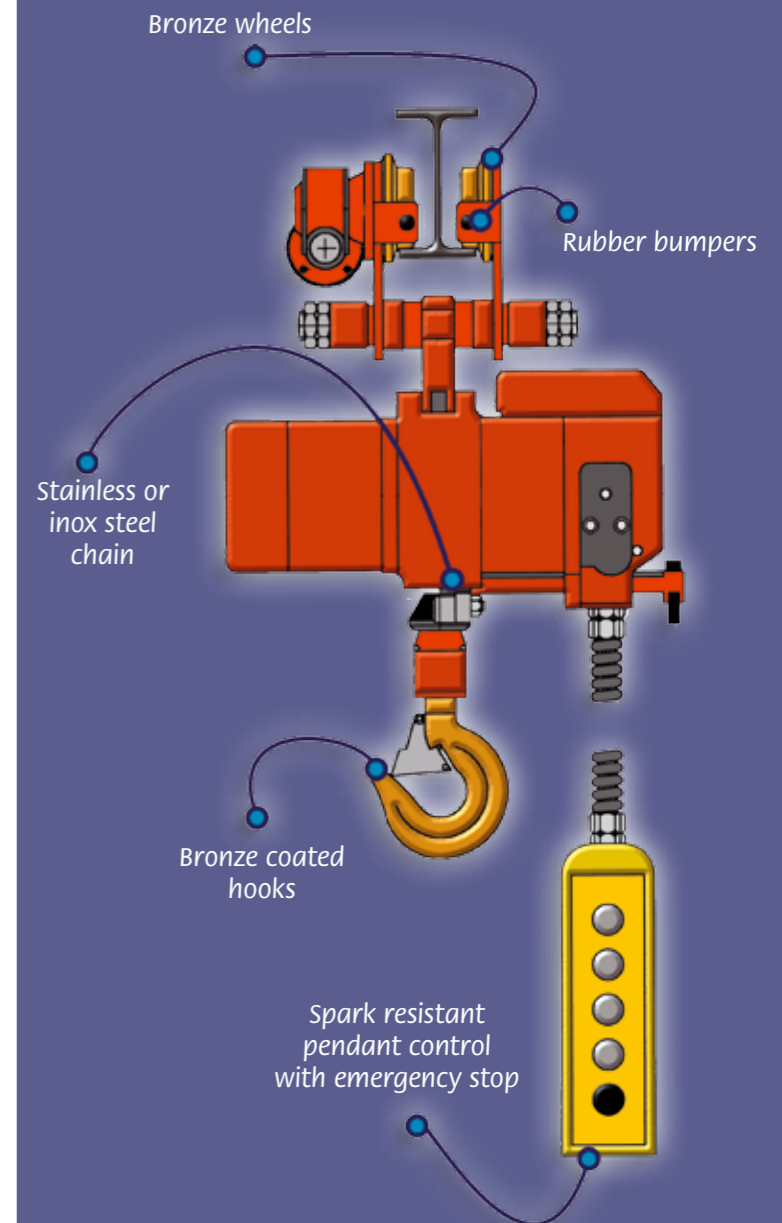
For tools/machines/equipment, the European Directive 94/9/EG (Atex 95) is in force.

TCR Mini	Standard	CE Eex Ex II 3 GD IIA c T5
	Spark Resistant version	CE Eex Ex II 2 GD IIB c T5
TCS	Standard	CE Eex Ex II 3 GD IIA c T4
	Spark Resistant version	CE Eex Ex II 2 GD IIB c T4
TCR / RRI	Standard	CE Eex Ex II 3 GD IIA c T6
	Spark Resistant version	CE Eex Ex II 2 GD IIB c T6
Trolleys		CE Eex Ex II 2 GD IIB c T6

Category 3 = Zone 2, Zone 22

Category 2 = Zone 1, Zone 21

Our spark resistant hoists are widely used in a.o. the On and Off-shore, (petro)chemical industry, mining, paint industry, paint spraying, chemical production and -storage, pharmaceutical industry and tank-cleaning.



FEATURES

Red Rooster spark resistant hoists are executed with:

- Bronze coated hooks (copper plated sprockets on request)
- Stainless or inox steel chain
- Spark resistant pendant control with emergency stop
- Heavy Duty rubber collision bumpers on trolley
- Bronze wheels on trolley

All hoists and trolleys are on request available with "marine paint" (with certificate).

Accessories

WHICH CHAIN TO USE

Red Rooster hoists are standard supplied with a galvanized chain according to EN-818-7. If the hoist is intensively operated, constantly max. loaded, or used for rental jobs, we advise to use the higher quality chain. A Heavy Duty chain has a much higher resistance against wear.

Standard	Heavy Duty
-	4,0 x 12,0 S
6,3 x 19,1	6.3 x 19,1 S
7,1 x 21	7,1 x 21 S
11,2 x 34	11,2 x 34 S
16 x 45	16 x 45 S
22 x 66	22 x 66 S



Lubrication of the chain can increase the life-time by 10 times!

AIR TREATMENT

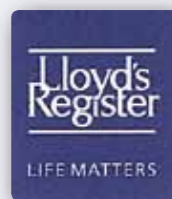
For a faultless, perfect function of the Red Rooster air chain hoists the compressed air must be clean, dry and lubricated. Therefore we always quote the correct SMC FRL unit.

AC series - combination of AF (filter), AR (regulator), AL (lubricator) and pressure gauge

Type	Brand	Port size	NI/min	Filter μm	Air pressure	Bowl
AC30A-F03ET	SMC	3/8"	1.700	5	0,05 - 0,85	Polycarbonat
AC40A-F03ET	SMC	1/2"	3.000	5	0,05 - 0,85	Polycarbonat
AC40A-F03ET	SMC	3/4"	4.500	5	0,05 - 0,85	Polycarbonat
AC50-F06ET	SMC	3/4"	5.000	5	0,05 - 0,85	Polycarbonat
AC60-F10ET	SMC	1"	7.000	5	0,05 - 0,85	Polycarbonat



LLOYDS REGISTER



Lloyd's Register

All Red Rooster air chain hoists can be delivered with a "Lloyd's Register load Test Certificate". The hoist are tested at 150% of the W.L.L.



Germanischer Lloyd

All Red Rooster air chain hoists can be delivered with a "Germanischer Lloyd Prüfzertifikat". The hoist are tested at 150% of the W.L.L.



DET NORSKE VERITAS

All Red Rooster air chain hoists can be delivered with a "DET NORSKE VERITAS Test Certificate". The hoist are tested at 150% of the W.L.L.

CONTROLS

The Red Rooster Air Chain Hoists are standard supplied with 2 meter cord control or 2 meter pendant control. Other lengths on request.



Pendant control:

The new polycarbonate pendant control with emergency Stop is impact proof, spark resistant and has a superb speed control.



Cord control:

The cords control direct the valve and therefore a perfect stepless variable speed control.



4 button pendant control:

This 4 button control with emergency stop is to control an air chain hoist with air pressure motorized trolley.

TESTING

Yokota Europa B.V. has, in it's professional workshop, a dynamic test rig. This test rig is calibrated and certified according the European standard NEN - EN 818.

With this dynamic test rig, we can test all our hoist models at 150% overload, it is a dynamic test and this is the heaviest condition for testing incorporating the dynamic effects that a load can put on the hoist.



Red Rooster Rentals 0,125 - 100T



In close cooperation with our distribution network we are able to supply rentals for all your lifting demands. Hereby an overview of the rental equipment that is available from the different depots:

Air hoists

Capacity	HOL up to
0,5 t	100 m
1 t	100 m
2 t	50 m
3 t	100 m
6 t	50 m
9 t	33 m
10 t	50 m
12 t	25 m
15 t	33 m
20 t	25 m
25 t	50 m
35 t	33 m
50 t	25 m

Air trolleys

Capacity	Flange up to
0,5 t / 2 t	300 mm
3 t	300 mm
6 t	300 mm
10 t	300 mm
15 t	300 mm
20 t	300 mm
25 t	300 mm
35 t	310 mm
50 t	310 mm

We have some very long chains for an extended HOL (we have thousands of mtrs in stock)

Wider flanges are available as specials.

Spark resistant models are available for most sizes.

We also have special low headroom units from 10 Tonne up to 20 Tonne.



Load links

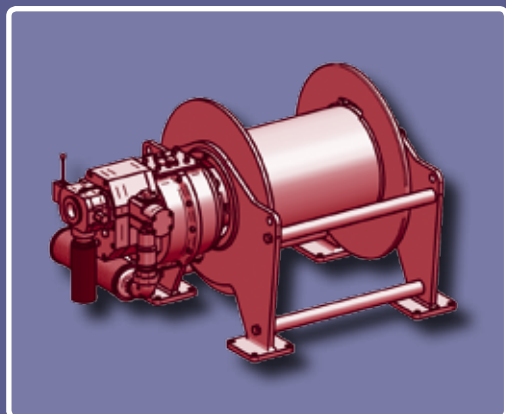
From 500 Kg to 150 Tonne.

Remote indicating with cable or telemetry.

Load Shackles

From 50T to 250T.

Remote indicating with cable.



Compression Load cells

Single cells from 5T to 400T.

Set of 4 x 20 Tonne cells to a readout up to 4 x 400 Tonne cells.

Running Line Monitors

From 13 mm wire up to 75 mm wire rope. With load, line out, and line speed indication.

Winches

Various sizes of winches from 500 Kg up to 10 Tonne.

Man riding winches SWL 500 Kg.

Wire Rope spoolers.

We have a limited amount of winches of different sizes.



www.rentalhoist.com