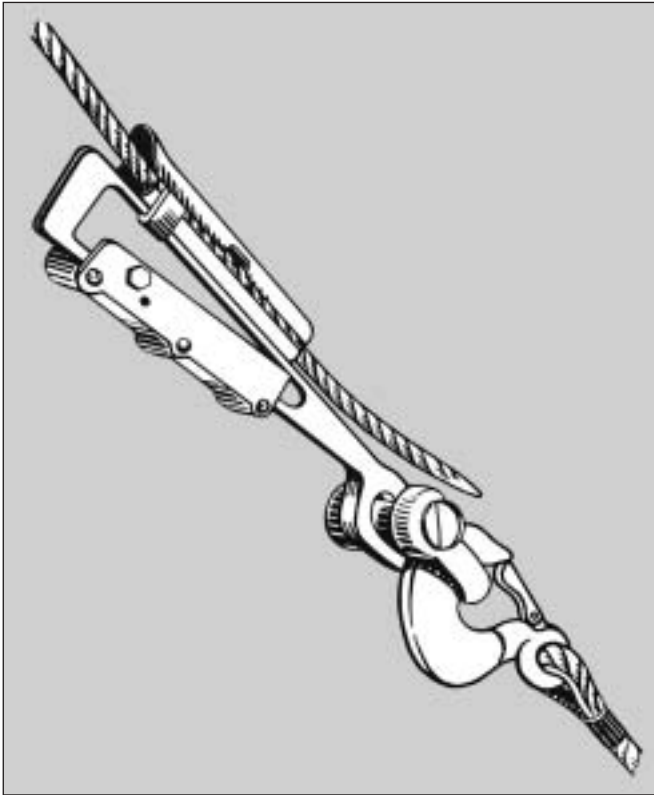


## CONI-KLAM

This wire rope gripper can quickly lengthen wire ropes or slings. The wire rope is held by a pair of jaws, which are slightly serrated and which give a positive lock by a self-gripping wedge.

- manufactured in forged steel,
- no risk of incorrect usage,
- immediate adjustment to the required position,
- does not damage the wire ropes,
- high safety factor.

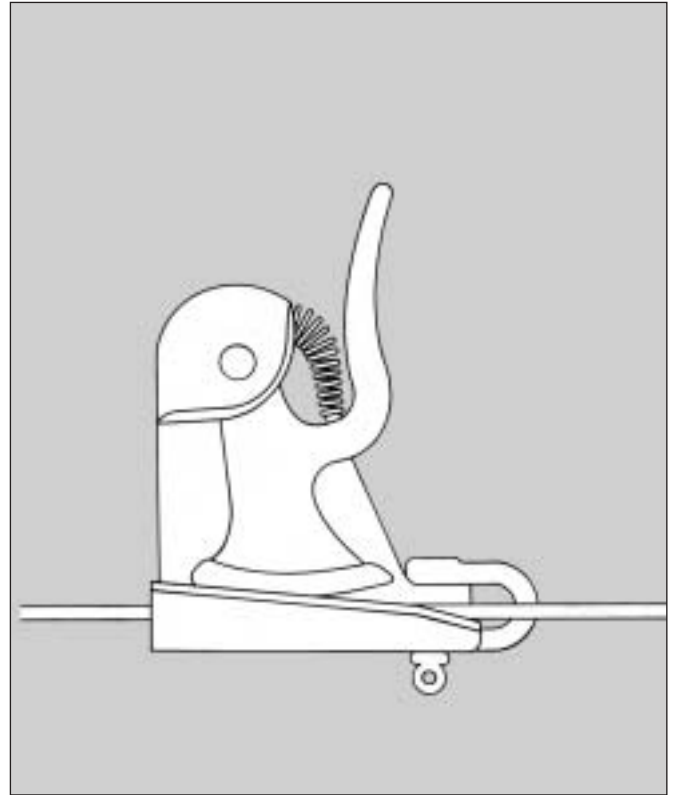


Ref.	EC 10	EC 14	EC 21
Range of wire rope $\varnothing$ (mm)	5 - 10	10,5 - 14	15 - 21
Capacity (kg)	1 000	2 000	3 000
Weight (kg) without shackle	1,2	2,6	5,4
Weight (kg) with shackle	1,6	3,7	7,5

## WIRE ROPE GRIPPERS

This wire rope gripper with a self-gripping jaw will hold a wire rope at any point along its length to hold a load or to take up the tension whilst fixing or adjusting the slack end.

- Light alloy body,
- Complete with shackle for anchoring,
- Spring operated jaw for automatic gripping.



Ref.	G2	G3	G4
Range of wire rope $\varnothing$ (mm)	2 à 8	7 à 15	14 à 18
Weight (kg)	0,30	0,55	0,60
Capacity (kg) safety factor coef. 5	320	380	400
Beaking load (kg)	1 600	1 900	2 000

Always concerned to improve the quality of its products , the manufacturer reserves the right to modify the specifications without prior notice.

Bretteville Taljer & Maskiner AS  
Griniveien 159  
1359 Eiksmarka

Tel: +47 67 16 69 90  
Fax: +47 67 16 68 11

[www.tractel.no](http://www.tractel.no) / [www.brettevilletaljer.no](http://www.brettevilletaljer.no)  
[post@brettevilletaljer.no](mailto:post@brettevilletaljer.no)

**TRACTEL S.A.S. :**  
Saint-Hilaire-sous-Romilly  
B.P. 38 - F-10102 Romilly-sur-Seine Cedex  
Tél. +33 3 25 21 07 00  
Fax. +33 3 25 21 07 11  
ISO 9001



[www.tractel.com](http://www.tractel.com) - E-mail : [info@tractel.com](mailto:info@tractel.com)

**Export department :**  
Tel. (352) 43 42 42-1  
Fax (352) 43 42 42-200

**Paris region offices :**  
Tel. +33 1 48 58 91 32  
Fax +33 1 48 58 19 95

# Wire ropes and accessories

For lifting and pulling machines



The use of the accessories set out in this leaflet will ensure that the TIRFOR machines work in the best conditions so that all lifting and pulling operations are carried out safely.

## Wire ropes

The special TIRFOR wire ropes are supplied in lengths to suit the application, being multiples of 5 m up to 100 m and multiples of 10 m for lengths over 100 m. The wire ropes are fitted with a thimble eye and ferrule, with or without safety hook. They are supplied on metal reelers.

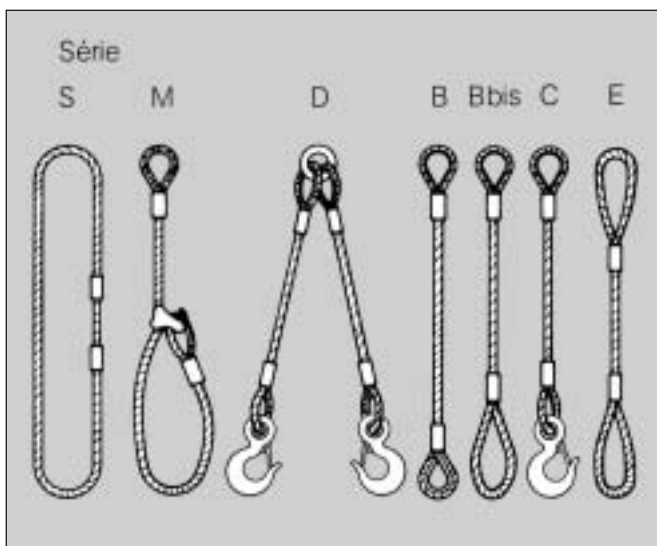
Ref.	C 8	C 12	C 16
Description	Galvanised steel		
Strength (kg/mm <sup>2</sup> )		200 / 220	
Diameter (mm)	8,3	11,5	16,3
Lifting capacity on single fall (kg)	800	1600	3200
Breaking strength (kg)	4600	9600	19200
Weight per m (kg)	0,25	0,50	0,85

## SLINGS

The slings are made of special TIRFOR wire rope and made up to any length required. Models BM, CM and DM are fitted with a sliding hook. Models D and C series may be fitted with a safety hook.

Other models are made up on request.

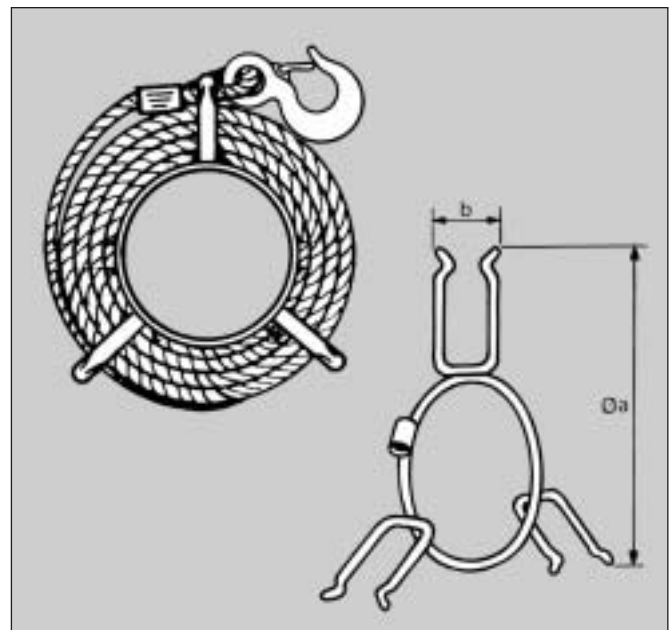
Wire rope Ref	Sling model						
C 8	BS	BM	BD	BB	BB bis	BC	BE
C 12	CS	CM	CD	CB	CB bis	CC	CE
C 16	DS	DM	DD	DB	DB bis	DC	DE



## REELERS

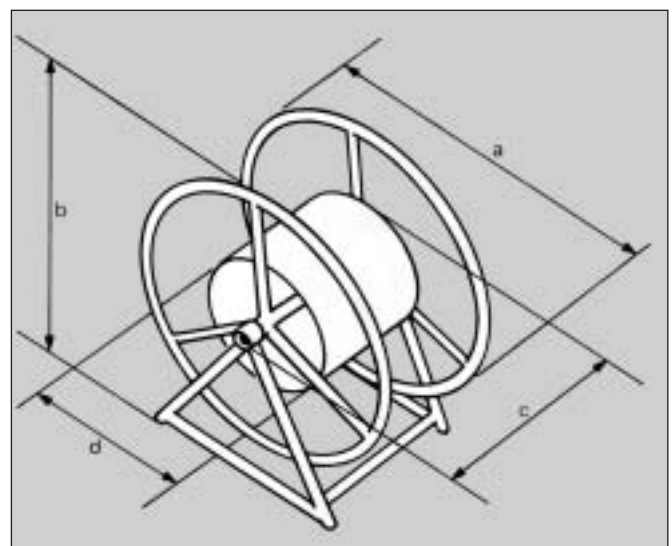
The TIRFOR wire ropes are supplied on a metal reeler, which is lightweight and practical for carrying and for reeling up the wire rope.

Reeler N°	Ref	For wire rope Length (m)	Dimensions (mm)	
			a	b
0	C 8	jusqu'à 25	348	70
1	C 8	26 - 50 jusqu'à 25	436	89
	C 12			
2	C 8	51 - 75	464	120
	C 12	26 - 50		
	C 16	jusqu'à 25		
3	C 8	76 - 150	644	120
	C 12	51 - 120		
	C 16	26 - 60		



For long wire ropes, it is more practical to use a drum reeler.

3 models are available to make maximum lengths as set out in the following table :



Reeler N°	For wire rope		Dimensions (mm)			
	Ref.	Length (m)	a	b	c	d
200	C 8	76 - 150	430	470	280	210
	C 12	51 - 75				
	C 16	26 - 50				
300	C 8	151 - 200	430	470	380	210
	C 12	76 - 150				
	C 16	51 - 75				
400	C 8	201 - 300	430	470	480	210
	C 12	151 - 200				
	C 16	76 - 100				

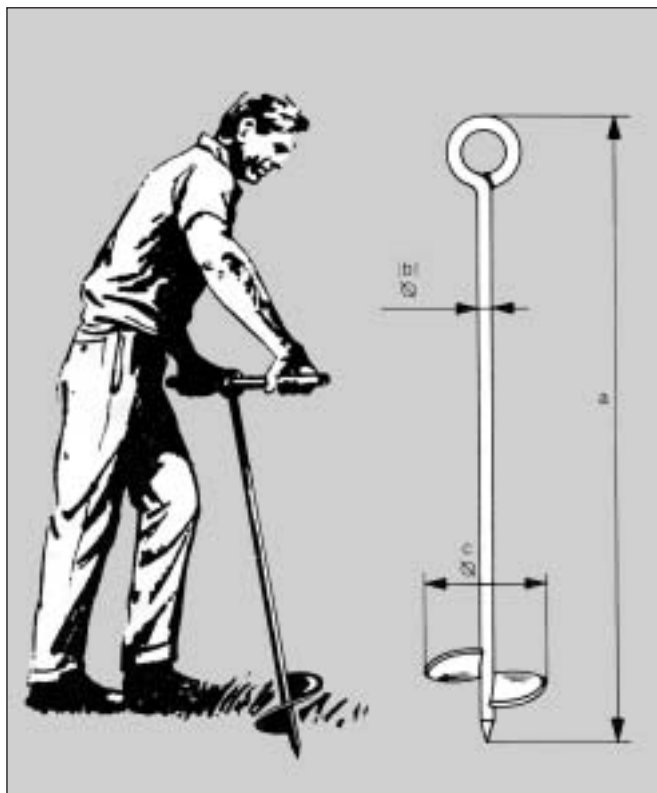
## TRACTANCAGE

This hot dipped galvanised steel auger anchor provides an effective and useful means of anchoring for :

- guying pylons, posts, etc,
- anchoring structures,
- fixed point for pulling or lifting applications.

Depending on the condition of the ground and the size of the load to be moved, one or more ground anchors may be required.

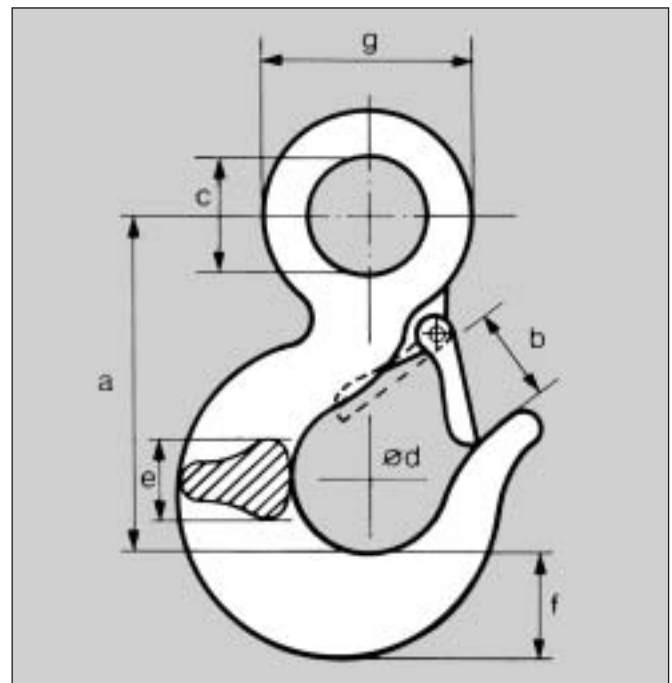
	JOCKEY JOCKEY J5	TIRFOR machine		
		T-508 TU-8	T-516 TU-16	T-532 TU-32
Ref.	HAA	HAB	HAC	HAD
a (mm)	600	800	1200	1500
Ø b (mm)	14	18	25	30
Ø c (mm)	125	150	200	250
Poids (kg)	1,2	3	7	11
WLL depending on the ground (t)	0,5 to 1	1 to 2	2 to 4	4 to 6



## HOOKS IN ALLOY STEEL

These high strength hooks, forged in non-ageing alloy steel, are fitted with a safety catch.

Ref.	WLL (kg)	Weight (kg)	Dimensions (mm)						
			a	b	c	d	e	f	g
C 27	1000	0,25	71,5	22	19	32	17	20	37
C 33	1600	0,43	81,5	24	23	34	19	23	44
C 34	3200	0,87	103,5	28	31	40	26	30	61



## SLIDING SLING HOOKS

These forged steel, zinc plated hooks provide a quick and easy sling attachment. They improve the tightness of the sling and considerably prolong the service life of the wire ropes.

There is a model to suit each of the 3 TIRFOR wire ropes.

Ref.	A17	A23	A24
Weight (kg)	0,45	0,9	2
Wire rope Ø (mm)	8,3	11,5	16,3
a (mm)	41	55	80
b (mm)	95	125	170
c (mm)	12	17	20
Ø d (mm)	27	31	44

