

Worm gear winch WW250-500-1000-1500 ..D



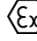
Gebuwin b.v.
Industrieweg 6
7102 DZ Winterswijk
The Netherlands

Tel.: +31 (0)543 532600
Fax: +31 (0)543 532601

e-mail: info@gebuwin.com
web: www.gebuwin.com

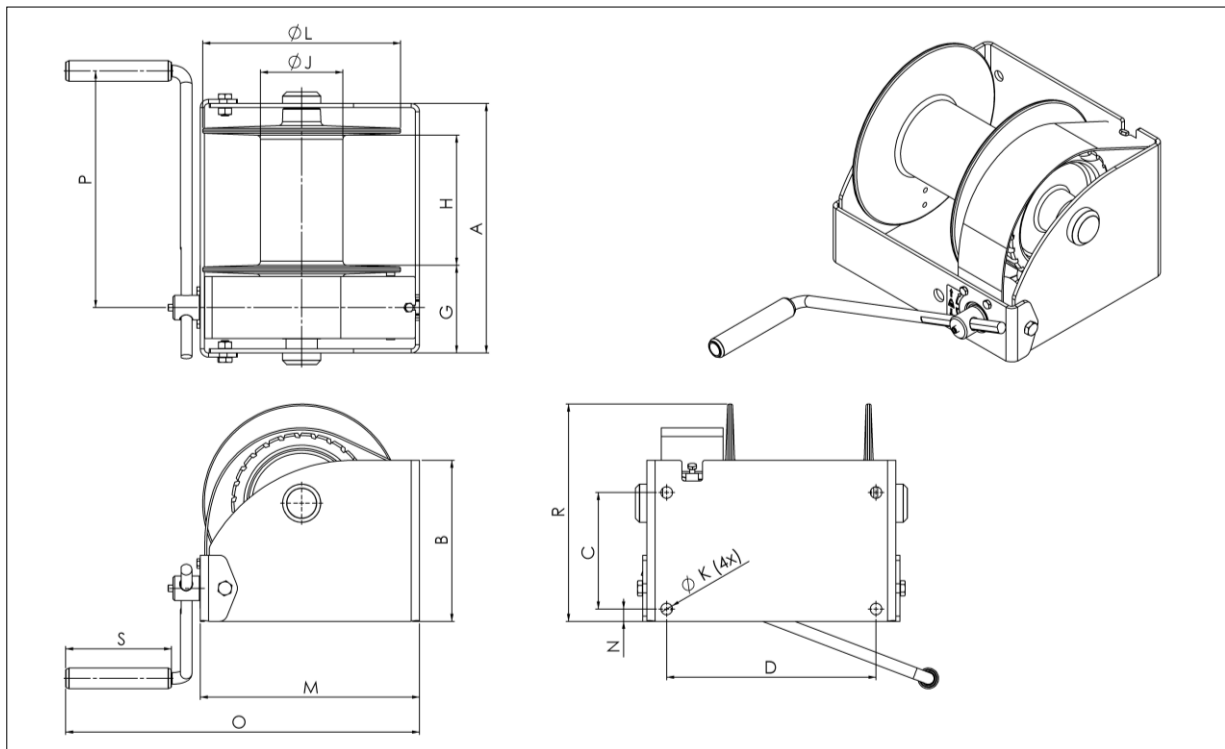


Hand operated worm gear winch:

- robust and safe hoisting winch
- static safety factor of 4
- square worm-wormwheel transmission and maintenance free bearing
- adjustable crank, with ergonomic grip
- easy to grease worm-wormwheel transmission
- load pressure brake with quiet double ratchet system
- painted or zinc-plated finish
- optional ATEX certified  II 3 GD T4, suitable for zone 2 and 22.
type example WW250 GR/D/Ex
- grooved drum as extra option (GD instead of D)
- 2 cable compartments (2D instead of D) multi compartment possible upon request
- in compliance with EN 13157, DIN15020 and Ex types ATEX 95 (94/9/EG)

Technical specifications

WW250-500-1000-1500 ../D



TYPE

Type	Mounting	Material	Remarks
WW250 GR/D	Wall, 4x M12 class 8.8	Painted finish	RAL 7044 (silk grey)
WW250 EV/D	Wall, 4x M12 class 8.8	Zinc-plated finish	
WW500 GR/D	Wall, 4x M12 class 8.8	Painted finish	RAL 7044 (silk grey)
WW500 EV/D	Wall, 4x M12 class 8.8	Zinc-plated finish	
WW1000 GR/D	Wall, 4x M16 class 8.8	Painted finish	RAL 7044 (silk grey)
WW1000 EV/D	Wall, 4x M16 class 8.8	Zinc-plated finish	
WW1500 GR/D	Wall, 4x M16 class 8.8	Painted finish	RAL 7044 (silk grey)
WW1500 EV/D	Wall, 4x M16 class 8.8	Zinc-plated finish	

DIMENSIONS (mm)

Type	A	B	C	D	G	H	J	K	L	M	N	O	P	R	S
WW250	238	145	100	192	106	102	48	14	160	191	15	354	280	171	130
WW500	269	160	115	223	107	131	70	14	190	221	15	384	325	192	130
WW1000	302	195	141	254	110	160	102	17	240	266	15	429	350	264	130
WW1500	302	250	178	254	111	160	102	17	240	278	15	441	350	306	130

SPECIFICATIONS

Technical specifications	WW250	WW500	WW1000	WW1500
Capacity:				
1 st cable layer	250 kg	500 kg	1000 kg	1500 kg
last cable layer	95 kg	239 kg	542 kg	845 kg
Crankforce 1 st cable position	6 daN	10 daN	13 daN	14 daN
Hoisting length by one rotation of crank , 1 st layer	17 mm	20 mm	13 mm	9 mm
Maximum cable storage (one drum compartment)	59 m	77 m	55 m	42 m
Diameter cable	5 mm	6 mm	9 mm	10 mm
Min. breaking load cable	15,9 kN	22,9 kN	51 kN	63 kN
Own weight	13 kg	16 kg	29 kg	28 kg