

B1

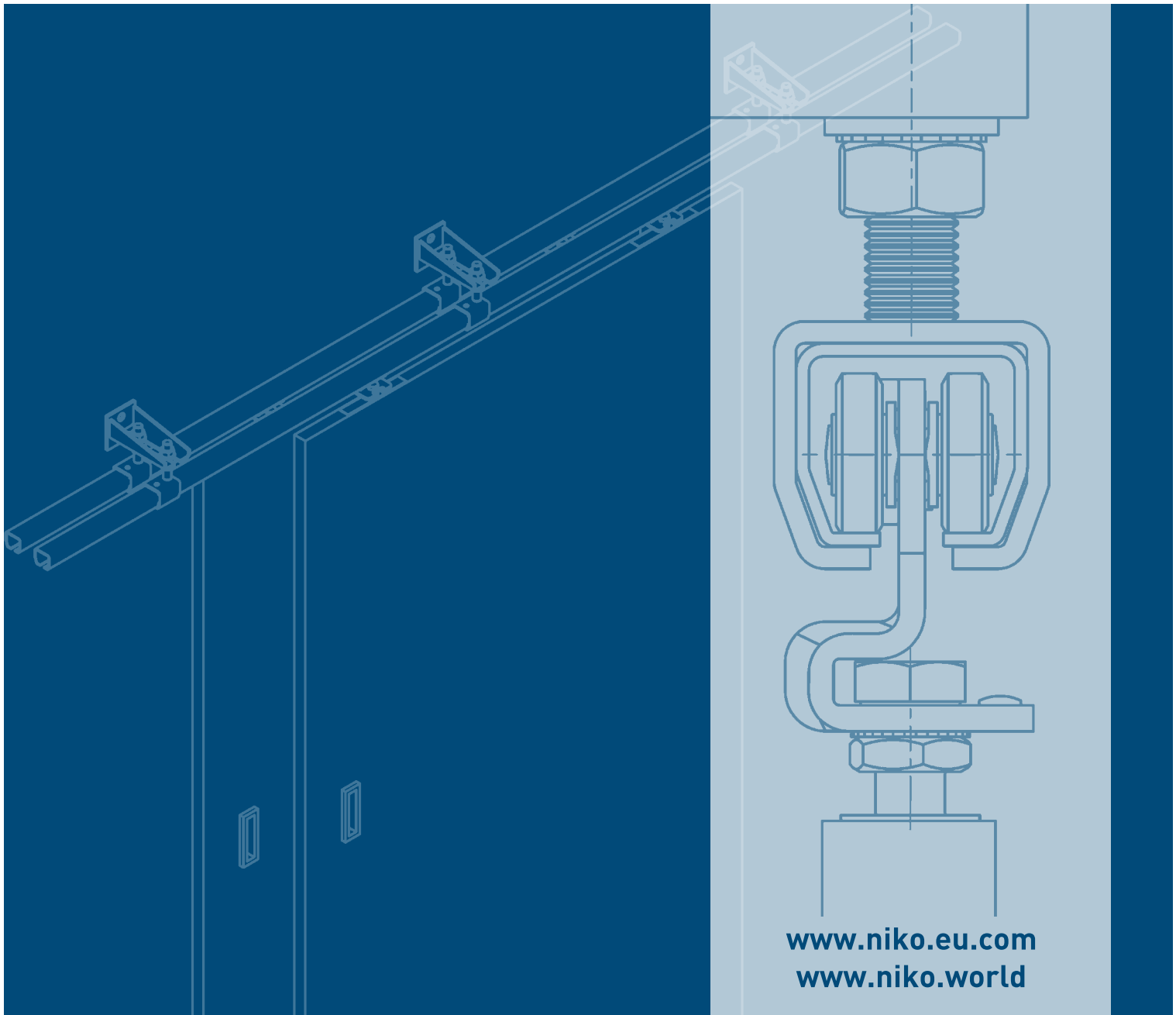
# Heavy Duty Sliding Door Fittings

## Product Catalogue

Sliding Door Fittings  
Technical Information  
Accessories



*NIKO ...Quality in Motion*



[www.niko.eu.com](http://www.niko.eu.com)  
[www.niko.world](http://www.niko.world)

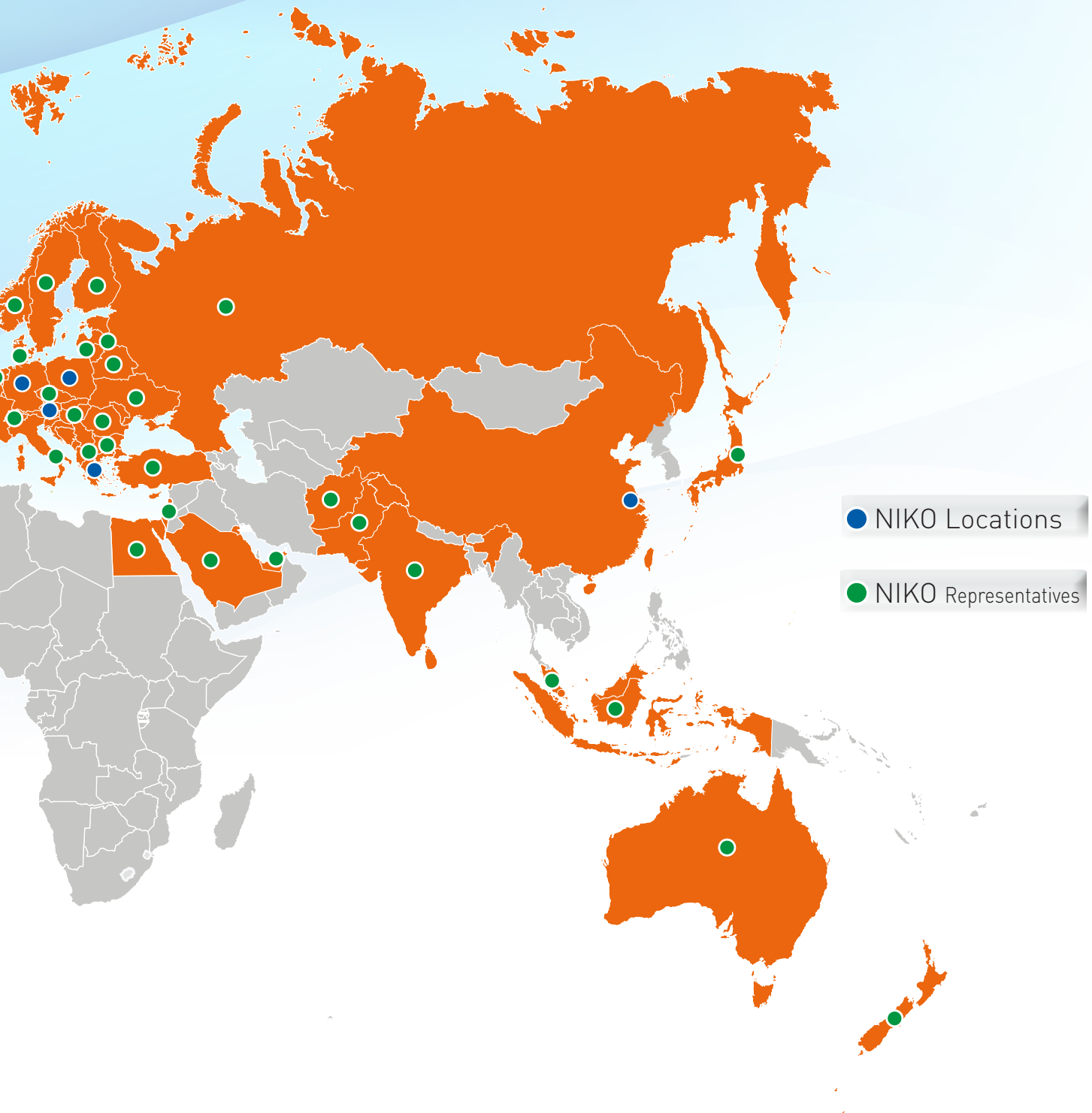


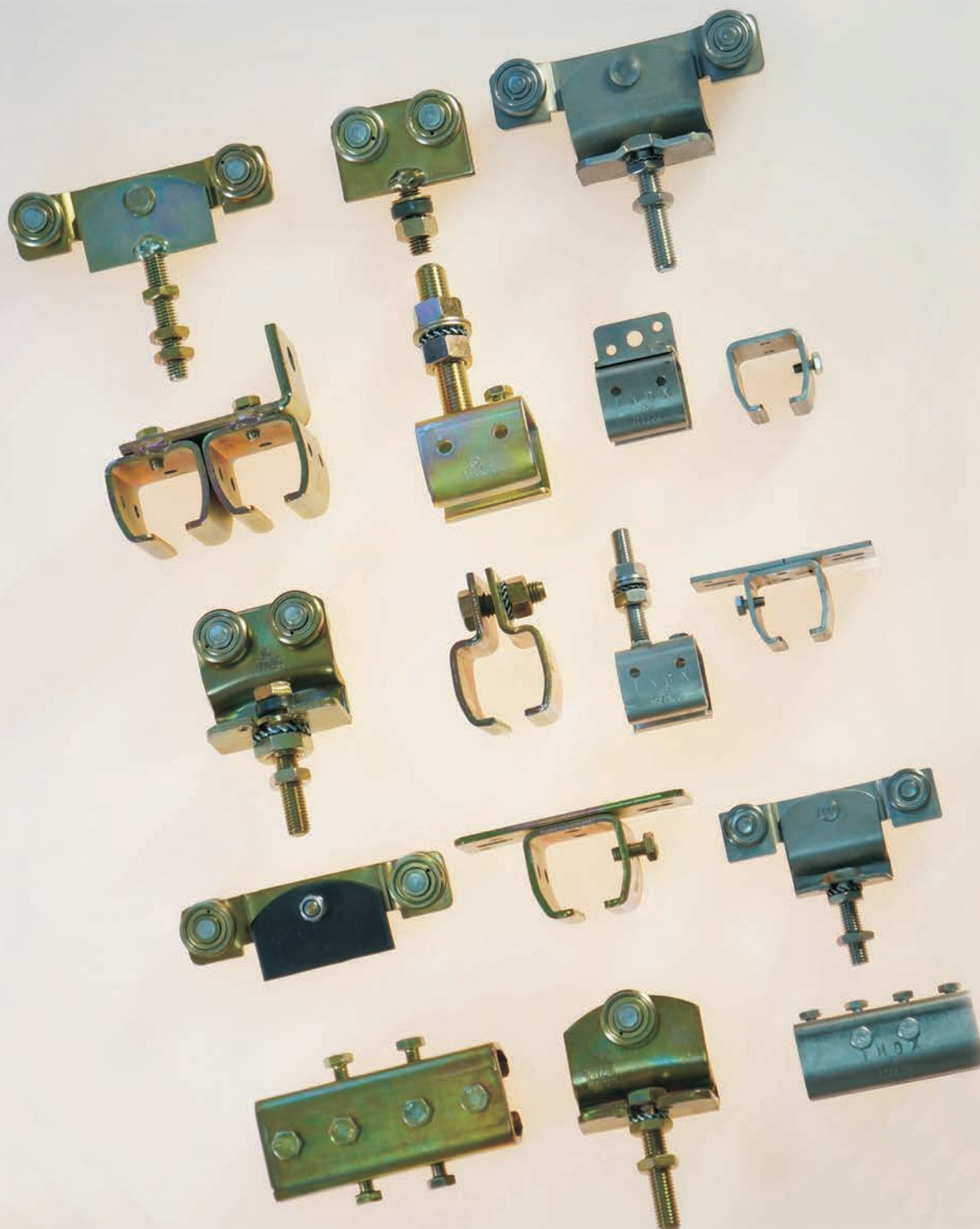
# Global LOCATIONS & HEAD OFFICE

Sliding Door Fittings



NIKO currently has a direct presence at seven locations (Greece, Germany, Austria, United Kingdom, Poland, China and U.S.A.), and indirectly through representatives and agents in most European countries, North Africa, Asia and Australia.



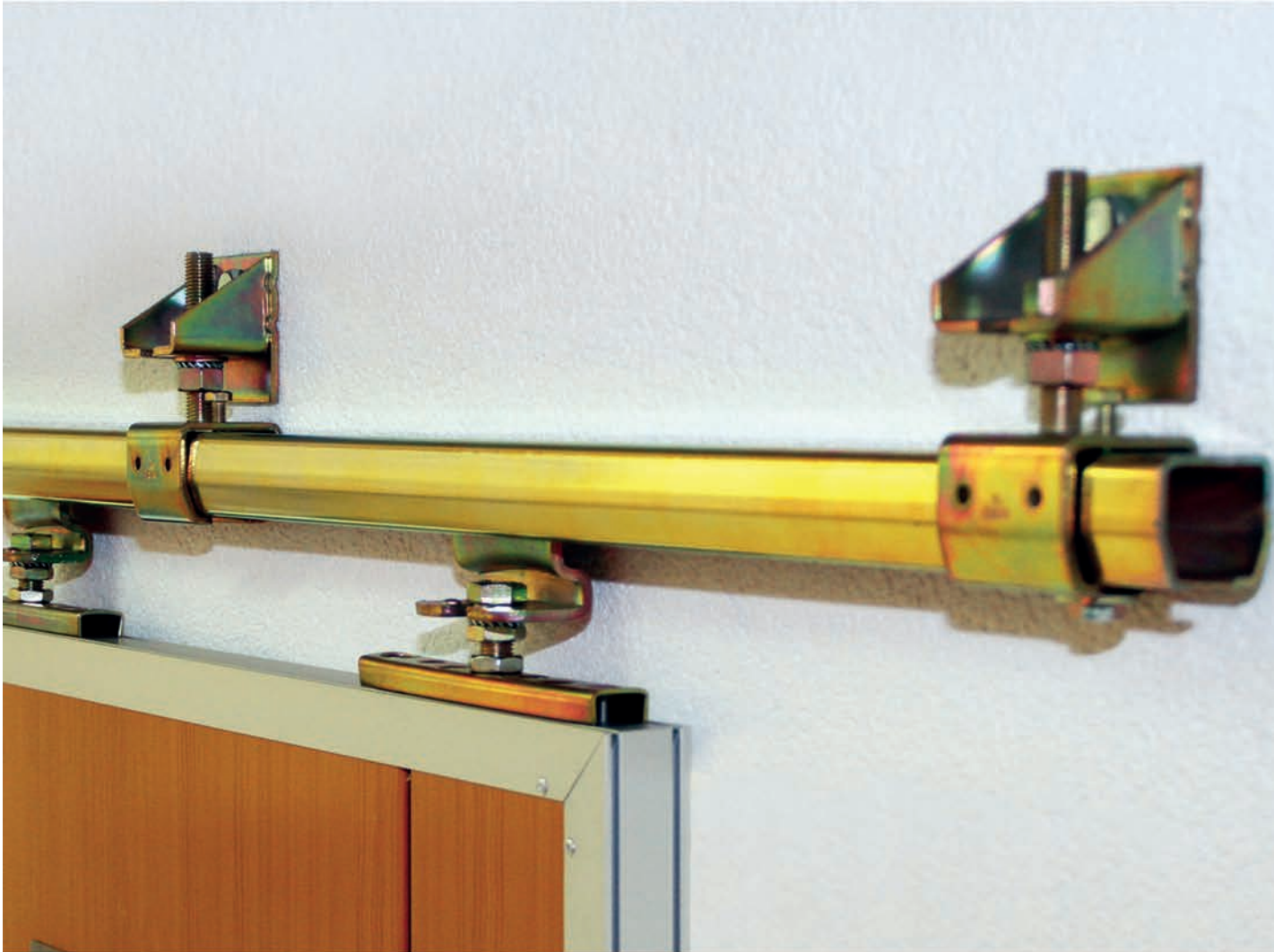


# Contents

Introduction / Application examples	Page	6-22
Component specifications	Page	23-89
Track profiles	Page	23
Track bends	Page	24
Support brackets and splice joints	Page	25-34
Track end stops	Page	35-36
Bearing options / Definition of symbols	Page	37
Wheel hangers	Page	38-50
Wheel hangers for glass panels	Page	50-51
Wheel hangers for curtains	Page	52-53
Trolleys	Page	54-56
Brackets for suspension (flanges)	Page	56-61
Guide tracks and guide bends	Page	62-63
Corner brackets	Page	64-66
Guide rollers	Page	66-68
Guides for door leaves	Page	69-74
Flush handle	Page	74
Wheel hangers for truck curtains	Page	75-78
Stainless steel fittings	Page	79-89
Technical information	Page	90-96
Index	Page	97

## NIKO SLIDING DOOR FITTINGS - HIGH QUALITY STANDARDS FOR HIGH DEMANDS

Our fittings are continuously monitored to ensure that they fully conform to the requirements of EN1527-2012. The key properties of Niko fittings are very smooth running operation, long service life and high resistance to corrosion.

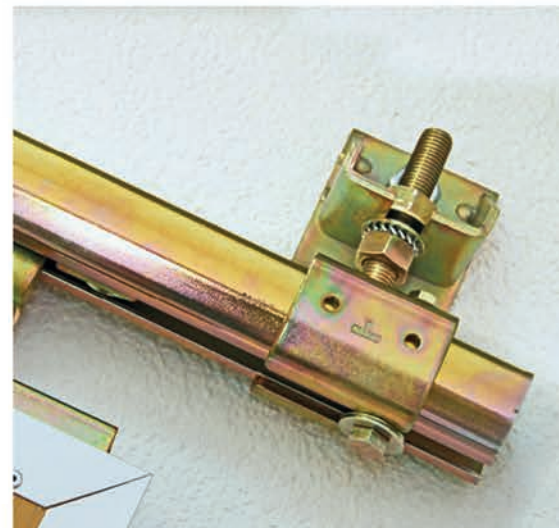


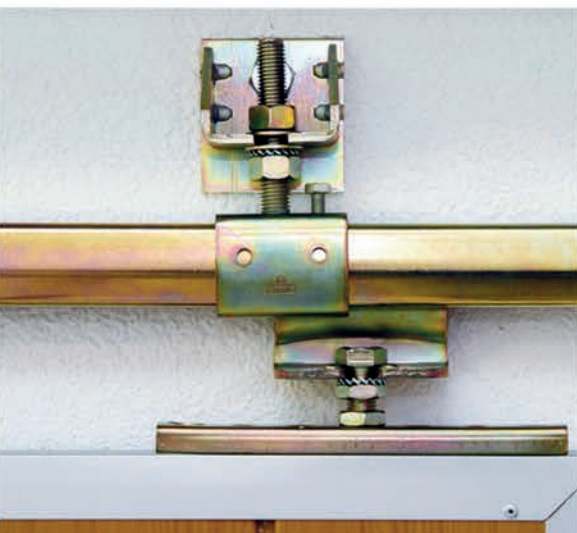
*NIKO ... Quality in Motion*

Our controlled processes are continuously monitored to ensure they meet the strict requirements of NIKO quality assurance, which is in accordance with ISO 9001.

We have over 45 years experience producing fittings, with close contact to suppliers and customers and continuous product development. NIKO will provide you with the advantage you need for sliding door and sliding gate systems.

Our guiding principle is **NIKO QUALITY IN MOTION**







Sliding door system with multiple leaves, adjustable wall brackets for three tracks, adjustable support brackets and double wheel hangers, and integrated pedestrian door.



Modular door design with double wheel hangers and folding plates. Floor guidance with guide track on the door leaf.



Folding plate on the door panel with suspension bracket



Modular door design with double wheel hangers and integrated door. Floor guidance with guide track on the door leaf.



*NIKO ... Quality in Motion*





Sliding door, aluminum frame system with ISO panels, folding plates and hook lock.



Double sliding door with ISO Sandwich panels, aluminum frames and floor guidance on the track. Weather protection visor for track and support brackets.



Sliding door with viewing window, wall brackets, folding plates and hook lock.



Sliding Door Fittings



Sliding door, aluminum frame system with ISO panels, floor guidance guide track on the door leaf.

[www.niko.eu.com](http://www.niko.eu.com)



Recessed guide track eliminates the trim hazard across the threshold. Doors with flush handles.

Folding door with three leaves on each side and floor recessed guide track. Ceiling support brackets and top corner bracket Type C. Double wheel hangers and pedestrian door.



Sliding door from solid wood, used as room divider



[www.niko.eu.com](http://www.niko.eu.com)



Doors sliding around corners maximises the clearance space through the door aperture when open.



A brush can be fitted to the bottom of the door and act as a seal or splash guard, by locating inside the floor guide rail.

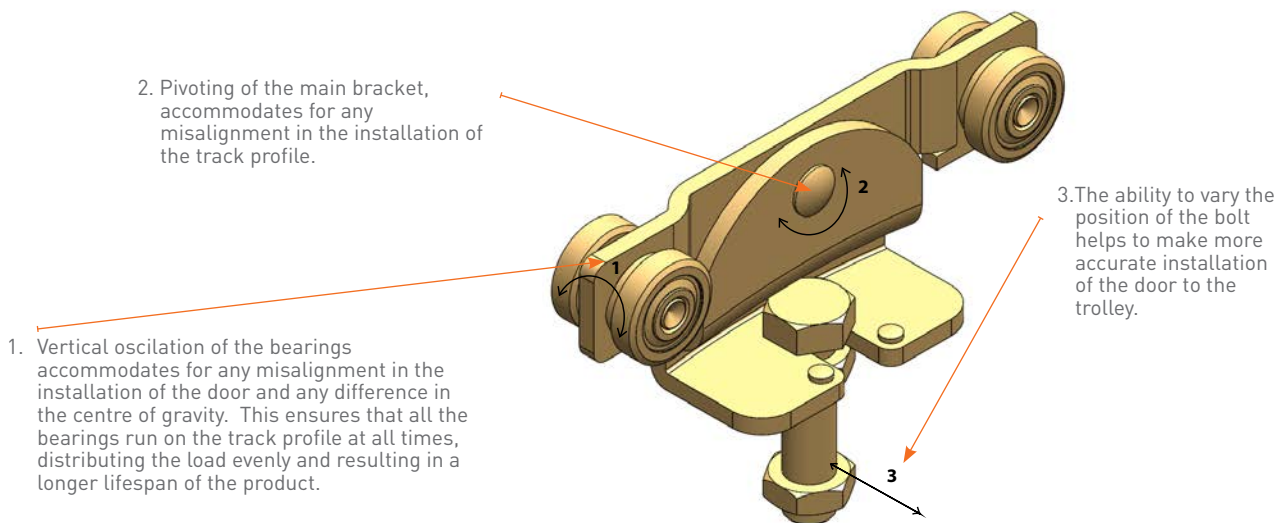
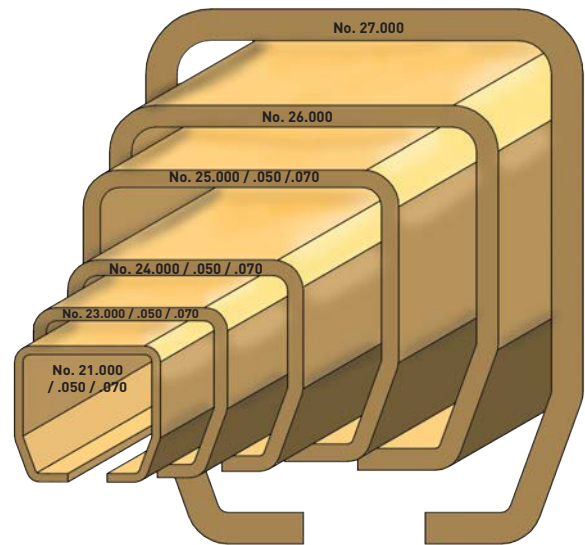


Sliding door around-the-corner for use with motor and entry side.

*NIKO ... Quality in Motion*

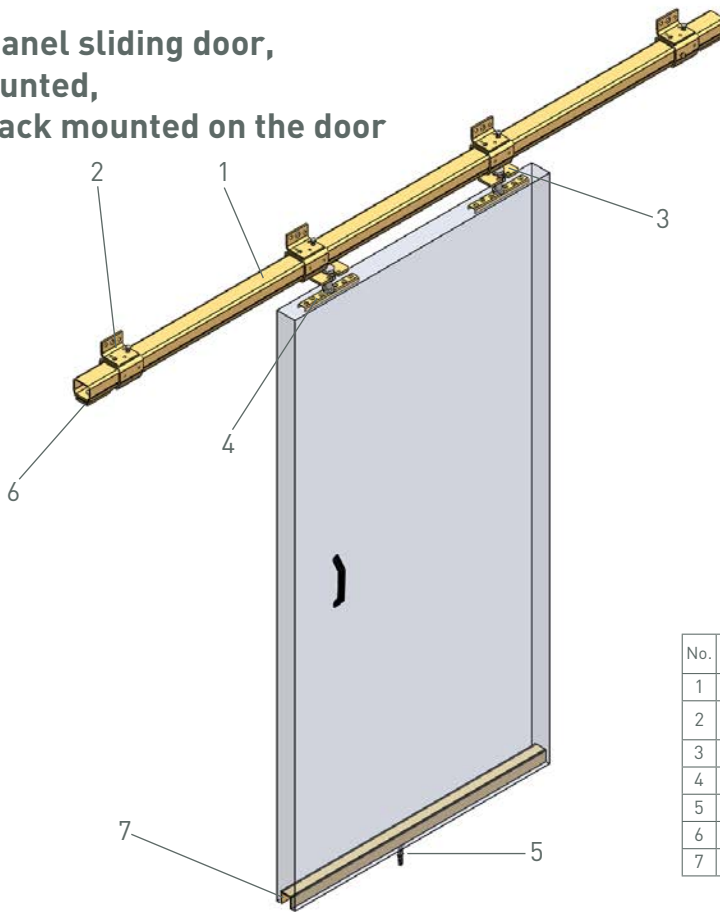
# KEY DESIGN CHARACTERISTICS OF NIKO SLIDING DOOR FITTINGS

- Loads up to 2.000 kg.
- We offer a large range of products for sliding and folding door applications. This way we can offer more solutions to our customers.
- All our products are zinc plated, which allows smoother running of our wheels in the track profiles and uniform color among our components.
- We have achieved the highest EN 1527 certification ranking (tested up to 100.000 run cycles).
- Six different track profiles.
- Our track profiles have an unrivaled compact construction and therefore require less space.
- The NIKO enclosed track tapered design enables self-alignment of the wheel hangers and reduces the possibility of dust build up. This ensures the smooth running of the wheel hangers and a long life span for the sliding doors.
- Our wheels and bearings are custom made and are significantly more durable under load compared to standard bearings that are commonly used for sliding door fittings.
- Our wheels are made from specially designed bearings which makes them much more durable than the wheels made from standard bearings.



# Application examples

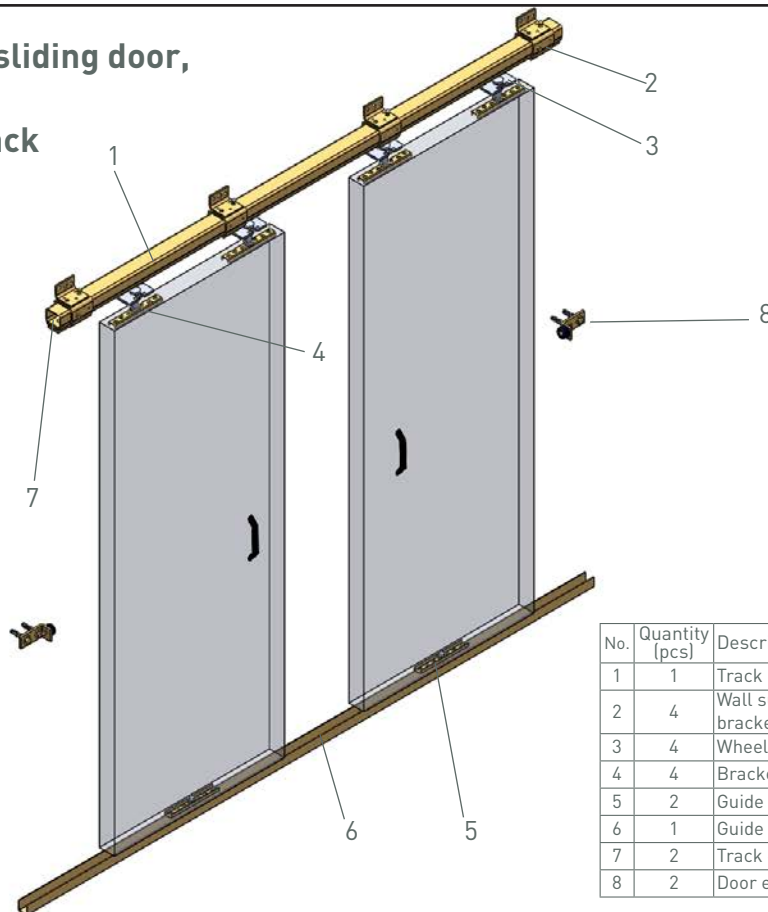
Single panel sliding door, wall mounted, guide track mounted on the door



No.	Quantity (pcs)	Description		Page
1	1	Track		23
2	4	Wall support bracket	.B01	26
3	2	Wheel hanger	.R91	38
4	2	Bracket	.F00	56
5	1	Guide with roller	.N58	67
6	2	Track end stop	.X01	35
7	1	Guide track	.000	62

No. 1

Double panel sliding door, wall mounted, floor guide track



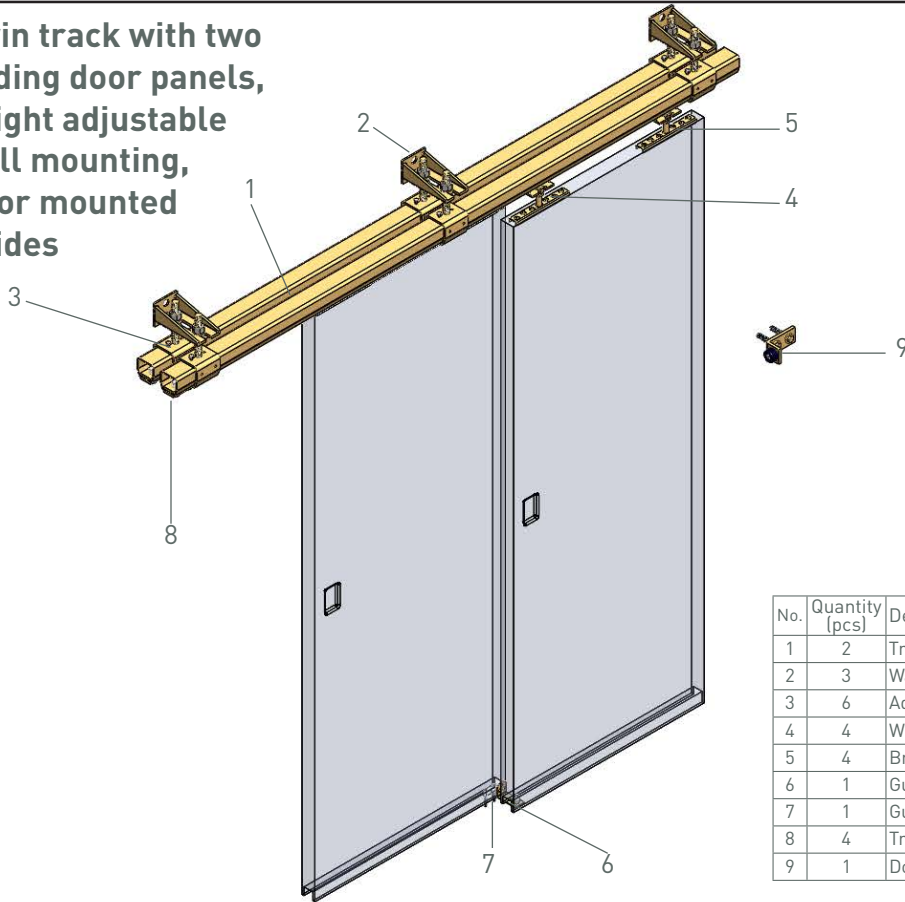
No.	Quantity (pcs)	Description		Page
1	1	Track		23
2	4	Wall support bracket	.B01	26
3	4	Wheel hanger	.R91	38
4	4	Bracket	.F00	56
5	2	Guide with roller	.N00	68
6	1	Guide track	.000	62
7	2	Track end stop	.X01	35
8	2	Door end stop	.X02	36

No. 2



# Application examples

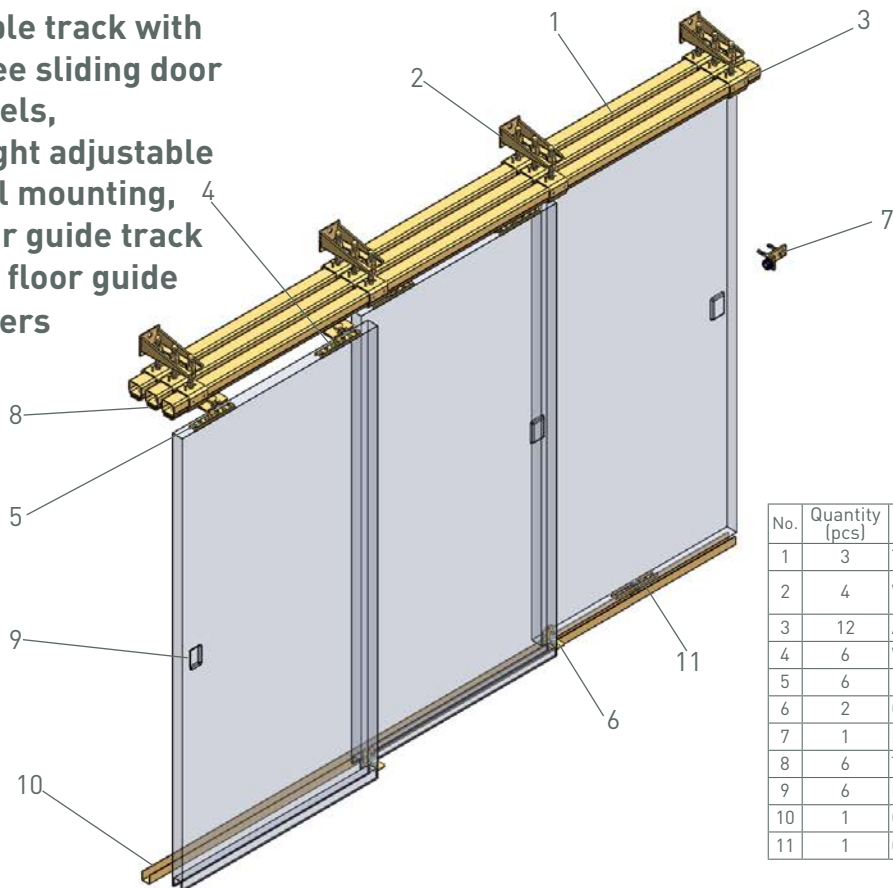
**Twin track with two sliding door panels, height adjustable wall mounting, floor mounted guides**



No.	Quantity (pcs)	Description		Page
1	2	Track		23
2	3	Wall bracket	.B06	29 - 30
3	6	Adjustable bracket	.B04	32
4	4	Wheel hanger	.R91	38
5	4	Bracket	.F00	56
6	1	Guide with roller	.N53	68
7	1	Guide	.U54	69
8	4	Track end stop	.X01	35
9	1	Door end stop	.X02	36

No. 3

**Triple track with three sliding door panels, height adjustable wall mounting, floor guide track and floor guide rollers**

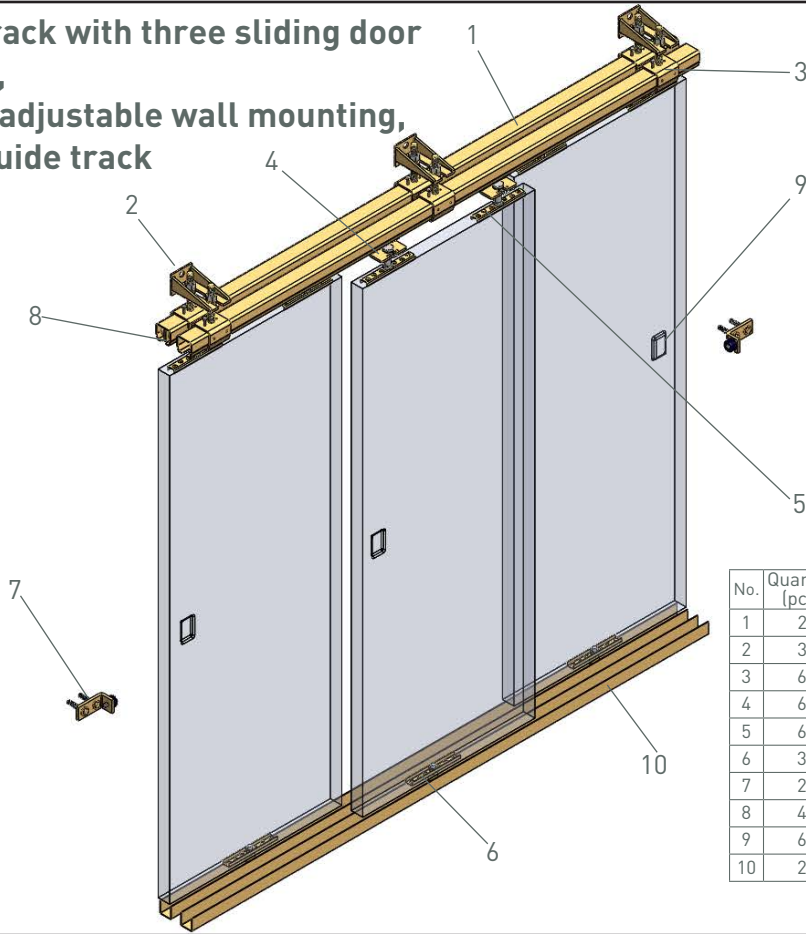


No.	Quantity (pcs)	Description		Page
1	3	Track		23
2	4	Wall bracket	.B06/.B66	29 - 30
3	12	Adjustable bracket	.B04	32
4	6	Wheel hanger	.R91	38
5	6	Bracket	.F00	56
6	2	Guide with roller	.N53	68
7	1	Door end stop	.X02	36
8	6	Track end stop	.X01	35
9	6	Handle	.400	74
10	1	Guide track	.000	62
11	1	Guide with roller	.N00	68

No. 4

# Application examples

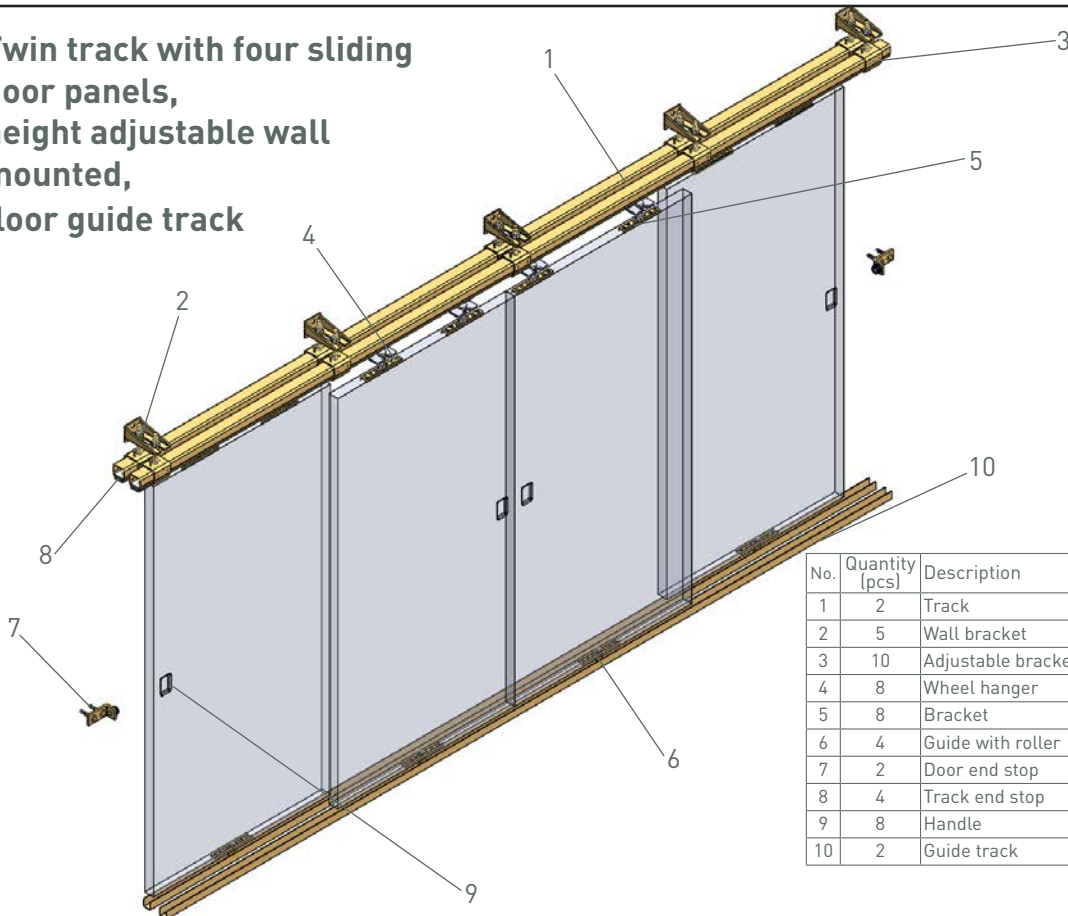
**Twin track with three sliding door panels, height adjustable wall mounting, floor guide track**



No.	Quantity (pcs)	Description		Page
1	2	Track		23
2	3	Wall bracket	.B06	29 - 30
3	6	Adjustable bracket	.B04	32
4	6	Wheel hanger	.R91	38
5	6	Bracket	.F00	56
6	3	Guide with roller	.N00	68
7	2	Door end stop	.X02	36
8	4	Track end stop	.X01	35
9	6	Handle	.400	74
10	2	Guide track	.000	62

No. 5

**Twin track with four sliding door panels, height adjustable wall mounted, floor guide track**

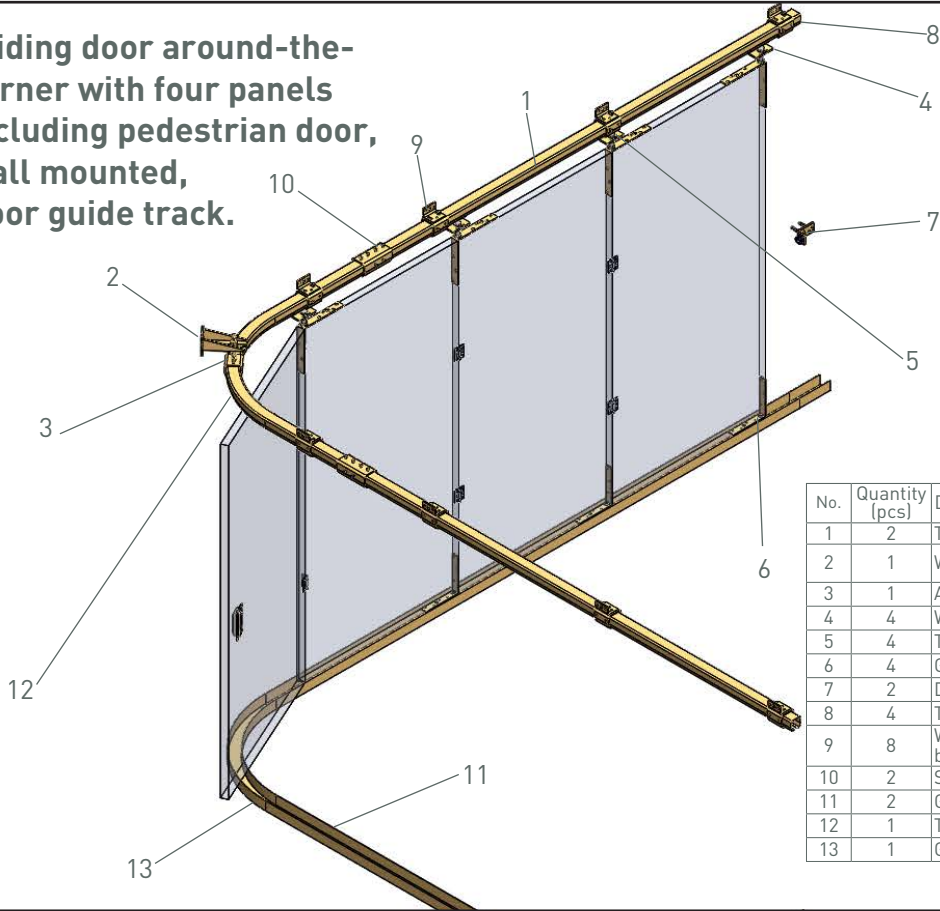


No.	Quantity (pcs)	Description		Page
1	2	Track		23
2	5	Wall bracket	.B06	29 - 30
3	10	Adjustable bracket	.B04	32
4	8	Wheel hanger	.R91	38
5	8	Bracket	.F00	56
6	4	Guide with roller	.N00	68
7	2	Door end stop	.X02	36
8	4	Track end stop	.X01	35
9	8	Handle	.400	74
10	2	Guide track	.000	62

No. 6

# Application examples

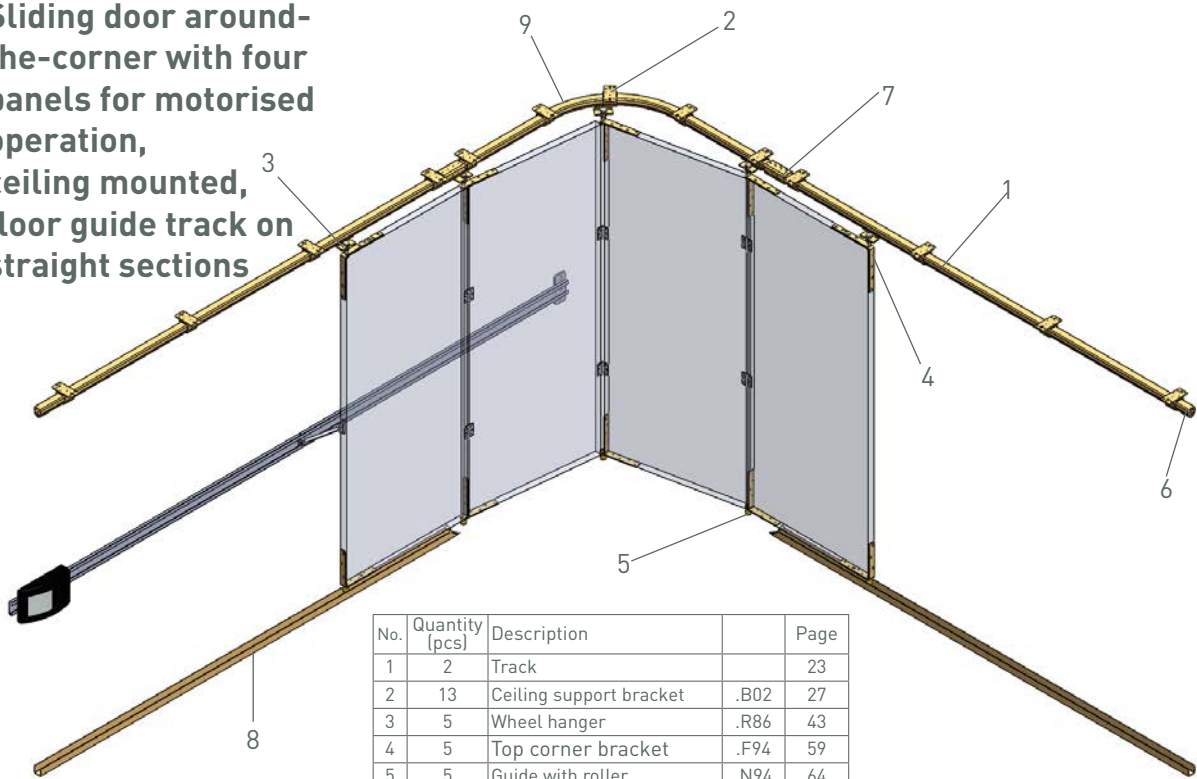
**Sliding door around-the-corner with four panels including pedestrian door, wall mounted, floor guide track.**



No.	Quantity (pcs)	Description		Page
1	2	Track		23
2	1	Wall bracket	.B06	29 - 30
3	1	Adjustable bracket	.B04	32
4	4	Wheel hanger	.R86	43
5	4	Top corner bracket	.F94	59
6	4	Guide with roller	.N94	64
7	2	Door end stop	.X02	36
8	4	Track end stop	.X01	35
9	8	Wall support bracket	.B01	26
10	2	Splice joint	.B49	25
11	2	Guide track	.000	62
12	1	Track bend	.C06	24
13	1	Guide track bend	.C06	63

No. 7

**Sliding door around-the-corner with four panels for motorised operation, ceiling mounted, floor guide track on straight sections**



No.	Quantity (pcs)	Description		Page
1	2	Track		23
2	13	Ceiling support bracket	.B02	27
3	5	Wheel hanger	.R86	43
4	5	Top corner bracket	.F94	59
5	5	Guide with roller	.N94	64
6	2	Track end stop	.X01	35
7	2	Splice joint	.B49	25
8	2	Guide track	.000	62
9	1	Track bend	.C06	24

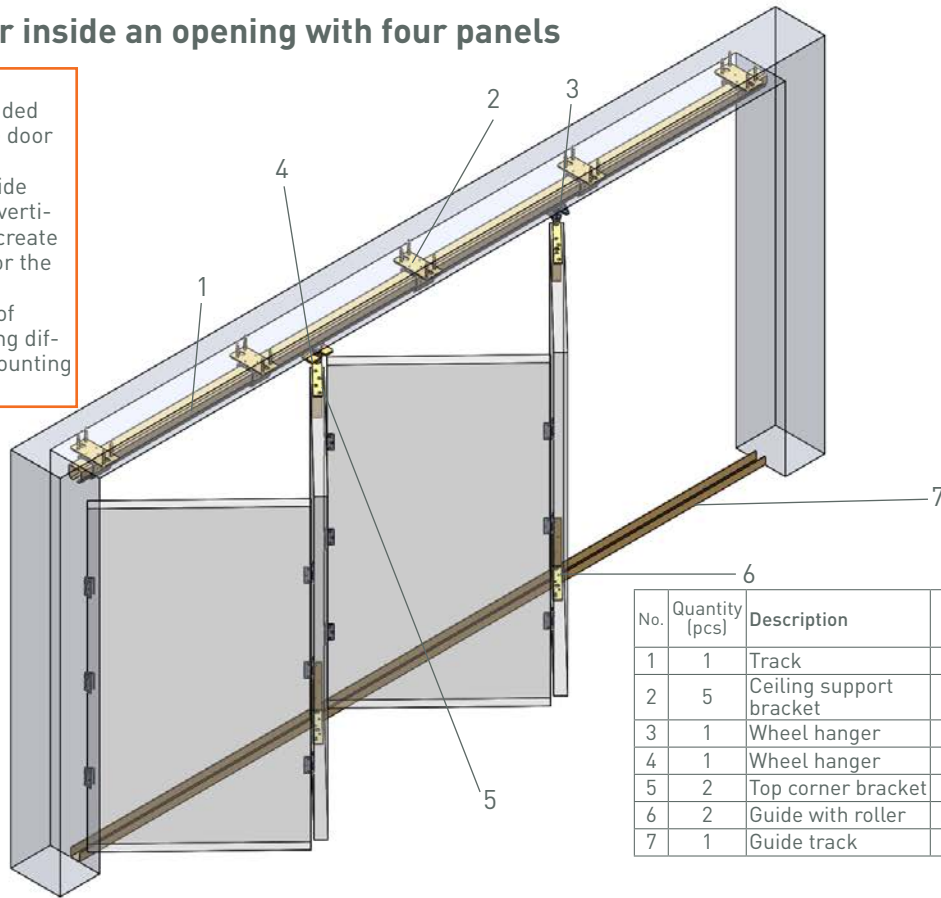
No. 8



# Application examples

## Folding door inside an opening with four panels

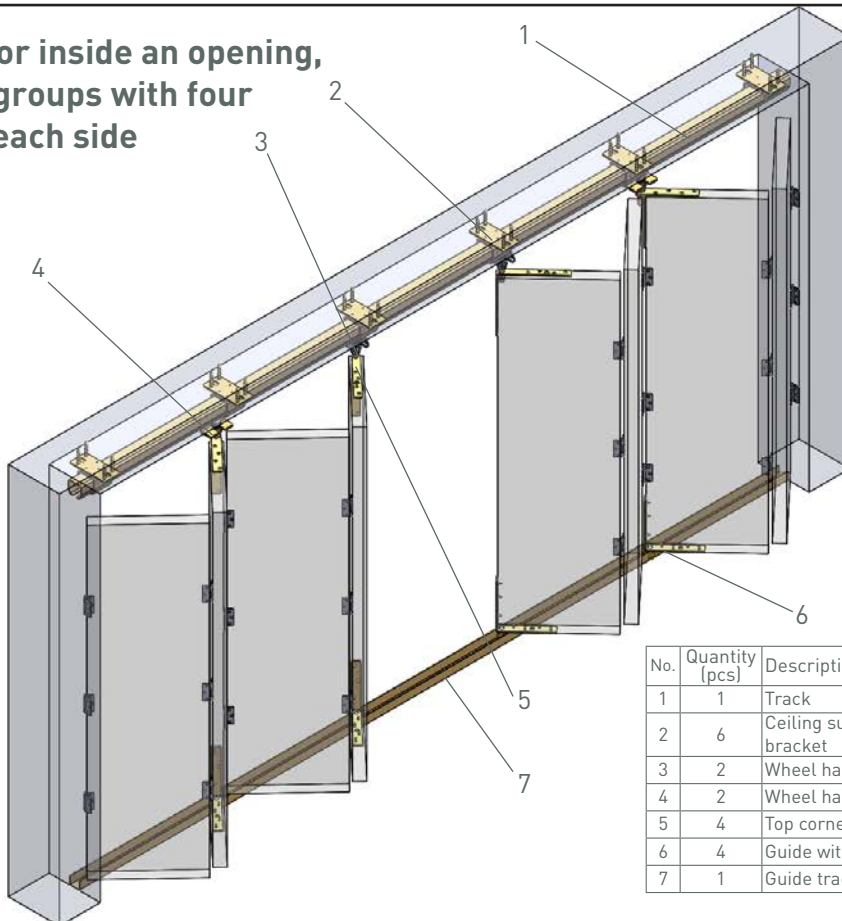
- Features:
- Hangers suspended at the end of the door panel.
  - Hangers and guide rollers must be vertically aligned to create a pivoting axis for the panel.
  - Three methods of suspension, using different corner mounting brackets.



No.	Quantity (pcs)	Description		Page
1	1	Track		23
2	5	Ceiling support bracket	.B02	27
3	1	Wheel hanger	.R50	43
4	1	Wheel hanger	.R86	43
5	2	Top corner bracket	.F94	59
6	2	Guide with roller	.N94	64
7	1	Guide track	.000	62

No. 9

## Folding door inside an opening, two panel groups with four panels on each side

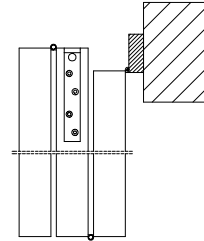
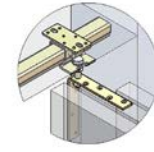
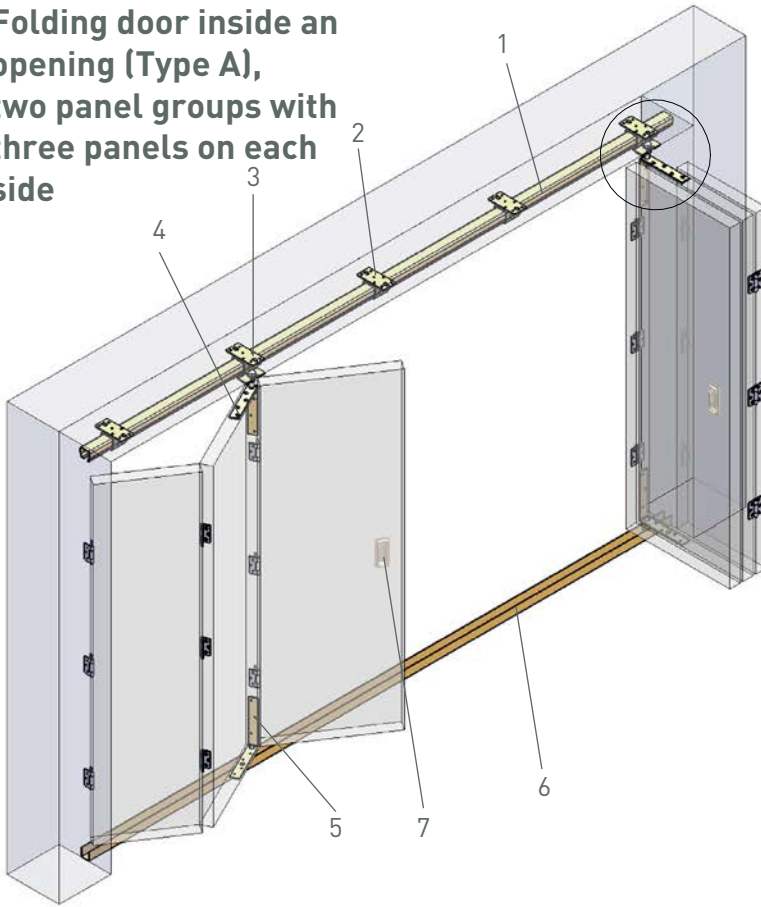


No.	Quantity (pcs)	Description		Page
1	1	Track		23
2	6	Ceiling support bracket	.B02	27
3	2	Wheel hanger	.R50	43
4	2	Wheel hanger	.R86	43
5	4	Top corner bracket	.F94	59
6	4	Guide with roller	.N94	64
7	1	Guide track	.000	62

No. 10

# Application examples

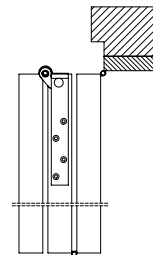
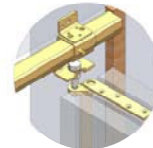
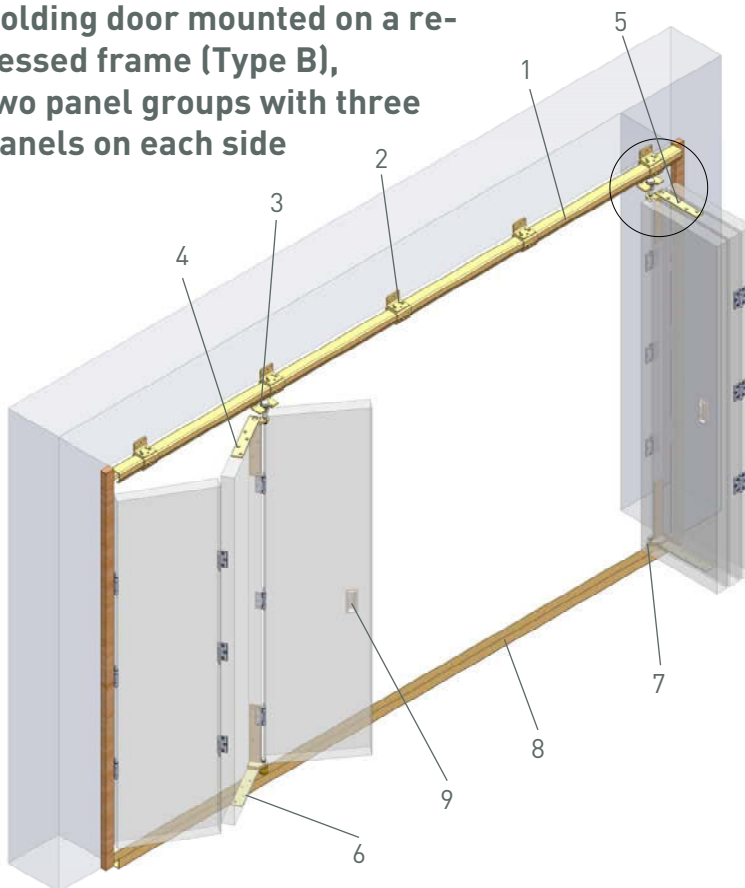
**Folding door inside an opening (Type A), two panel groups with three panels on each side**



No.	Quantity (pcs)	Description		Page
1	1	Track		23
2	5	Ceiling support bracket	.B02	27
3	2	Wheel hanger	.R86	43
4	2	Top corner bracket	.F94	59
5	2	Corner guide with roller	.N94	64
6	1	Guide track	.000	62
7	2	Handle	.400	74

No. 11

**Folding door mounted on a recessed frame (Type B), two panel groups with three panels on each side**

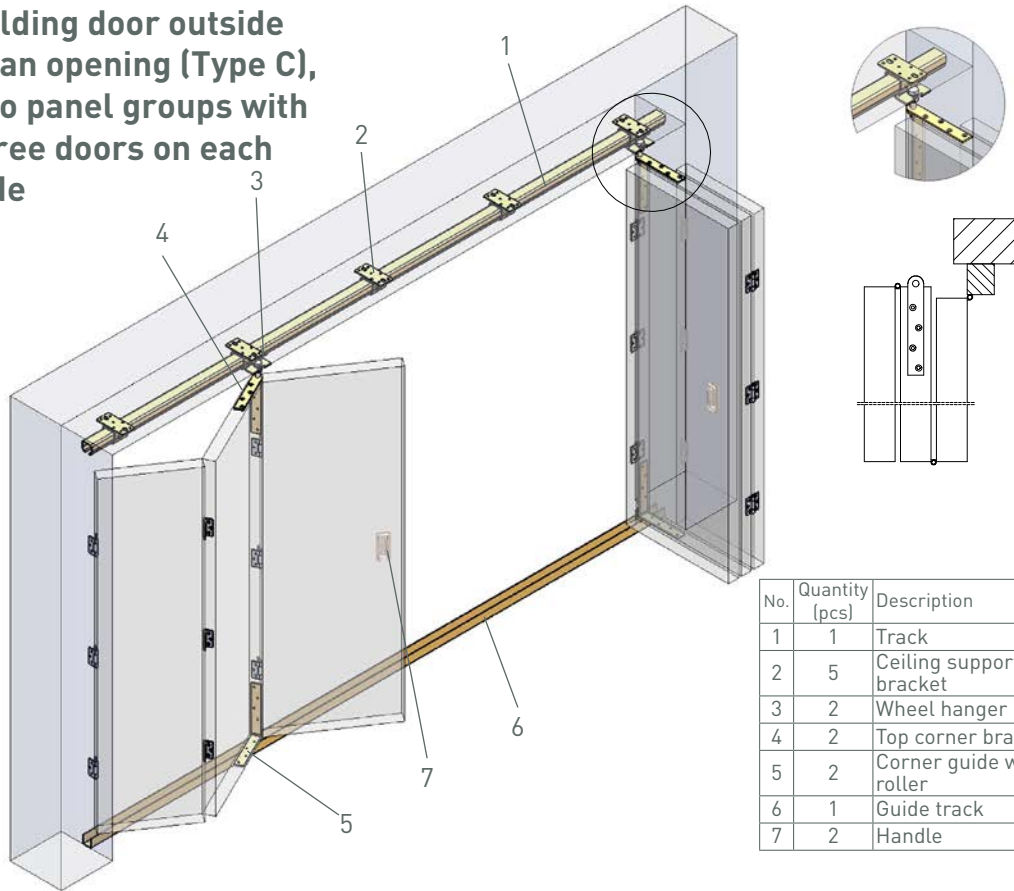


No.	Quantity (pcs)	Description		Page
1	1	Track		23
2	5	Wall support bracket	.B01	26
3	2	Wheel hanger	.R86	43
4	1	Top corner bracket, left	.F98	60
5	1	Top corner bracket, right	.F97	60
6	1	Corner guide with roller, left	.N98	65
7	1	Corner guide with roller, right	.N97	65
8	1	Guide track	.000	62
9	2	Handle	.400	74

No. 12

# Application examples

**Folding door outside of an opening (Type C), two panel groups with three doors on each side**

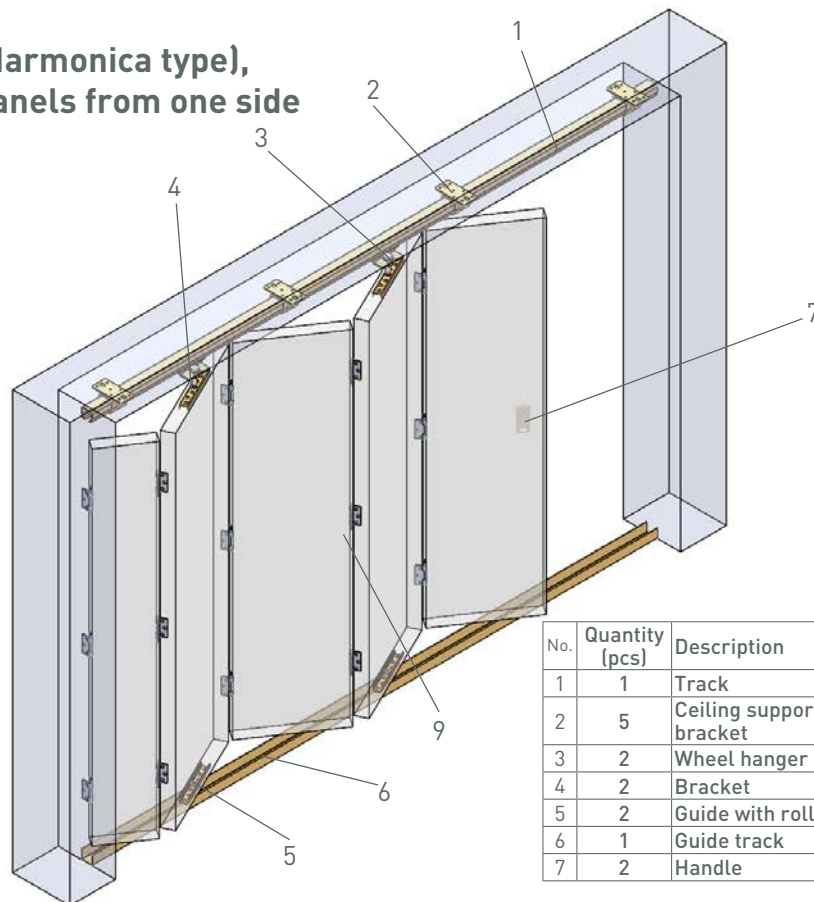


No.	Quantity (pcs)	Description		Page
1	1	Track		23
2	5	Ceiling support bracket	.B02	27
3	2	Wheel hanger	.R86	43
4	2	Top corner bracket	.F96	59
5	2	Corner guide with roller	.N96	66
6	1	Guide track	.000	62
7	2	Handle	.400	74

No. 13

**Folding door (Harmonica type), four and half panels from one side**

- Features:
- Hangers suspended at the centre of the door panel.
  - Floor guidance is optional.
  - Half width panel at beginning.



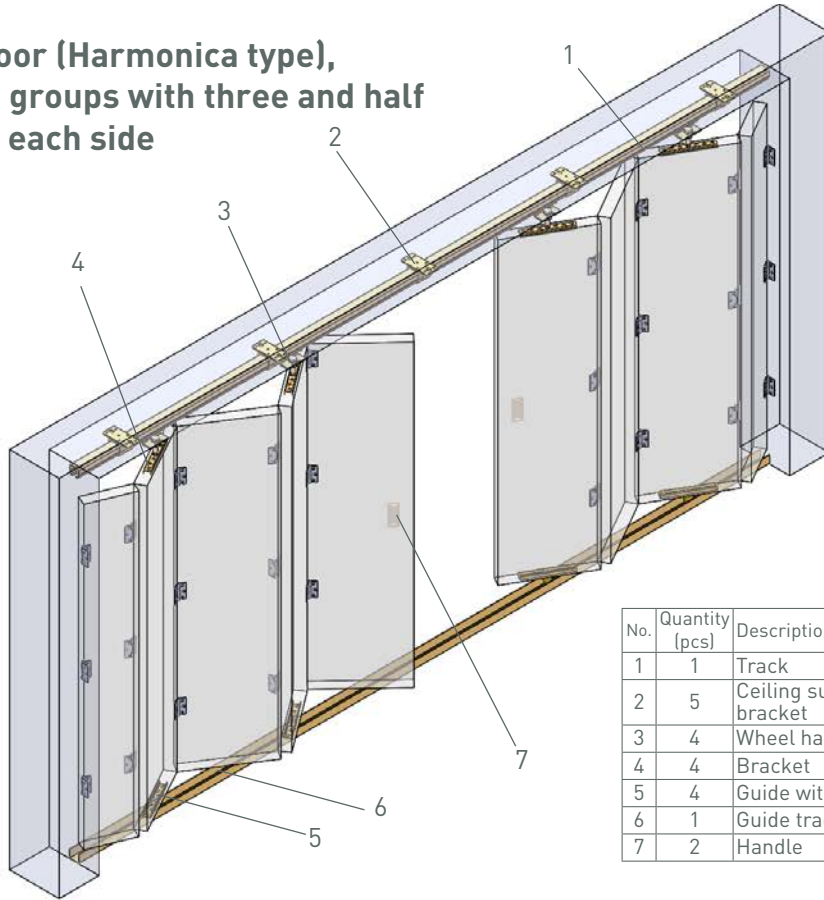
No.	Quantity (pcs)	Description		Page
1	1	Track		23
2	5	Ceiling support bracket	.B02	27
3	2	Wheel hanger	.R86	43
4	2	Bracket	.F00	56
5	2	Guide with roller	.N00	68
6	1	Guide track	.000	62
7	2	Handle	.400	74

No. 14



# Application examples

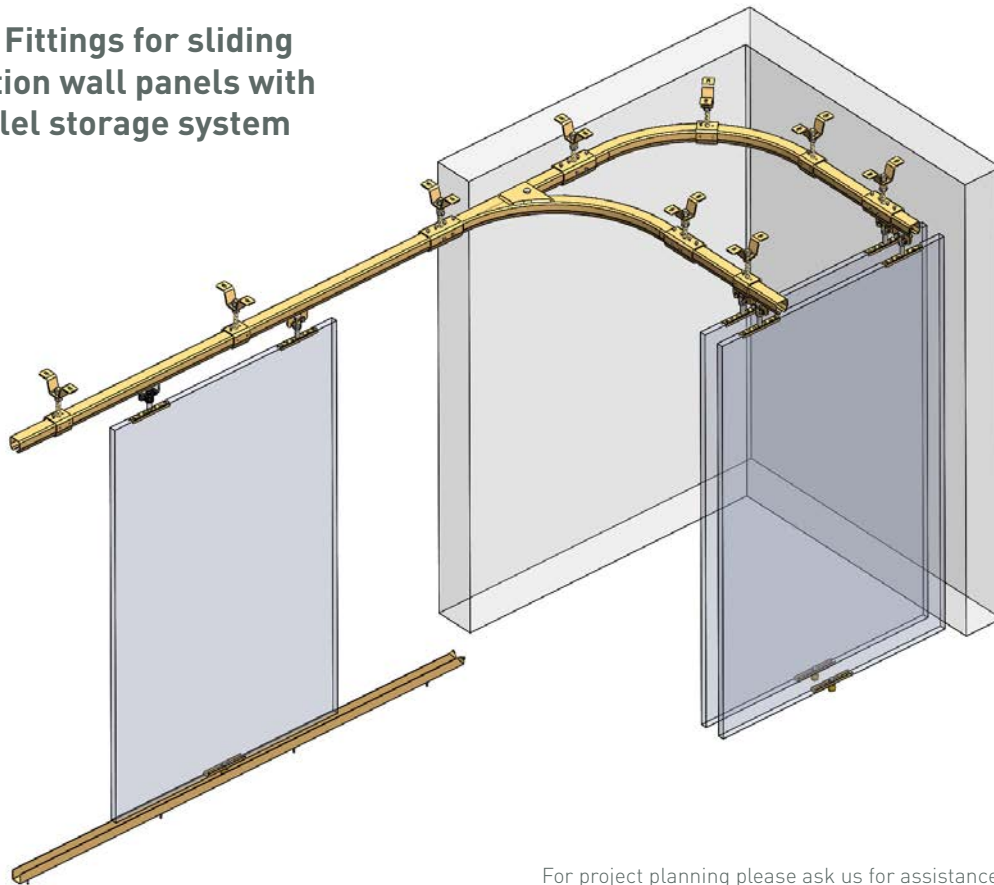
**Folding door (Harmonica type),  
two panel groups with three and half  
panels on each side**



No.	Quantity (pcs)	Description		Page
1	1	Track		23
2	5	Ceiling support bracket	.B02	27
3	4	Wheel hanger	.R86	43
4	4	Bracket	.F00	56
5	4	Guide with roller	.N00	68
6	1	Guide track	.000	62
7	2	Handle	.400	74

No. 15

**NIKO Fittings for sliding  
partition wall panels with  
parallel storage system**

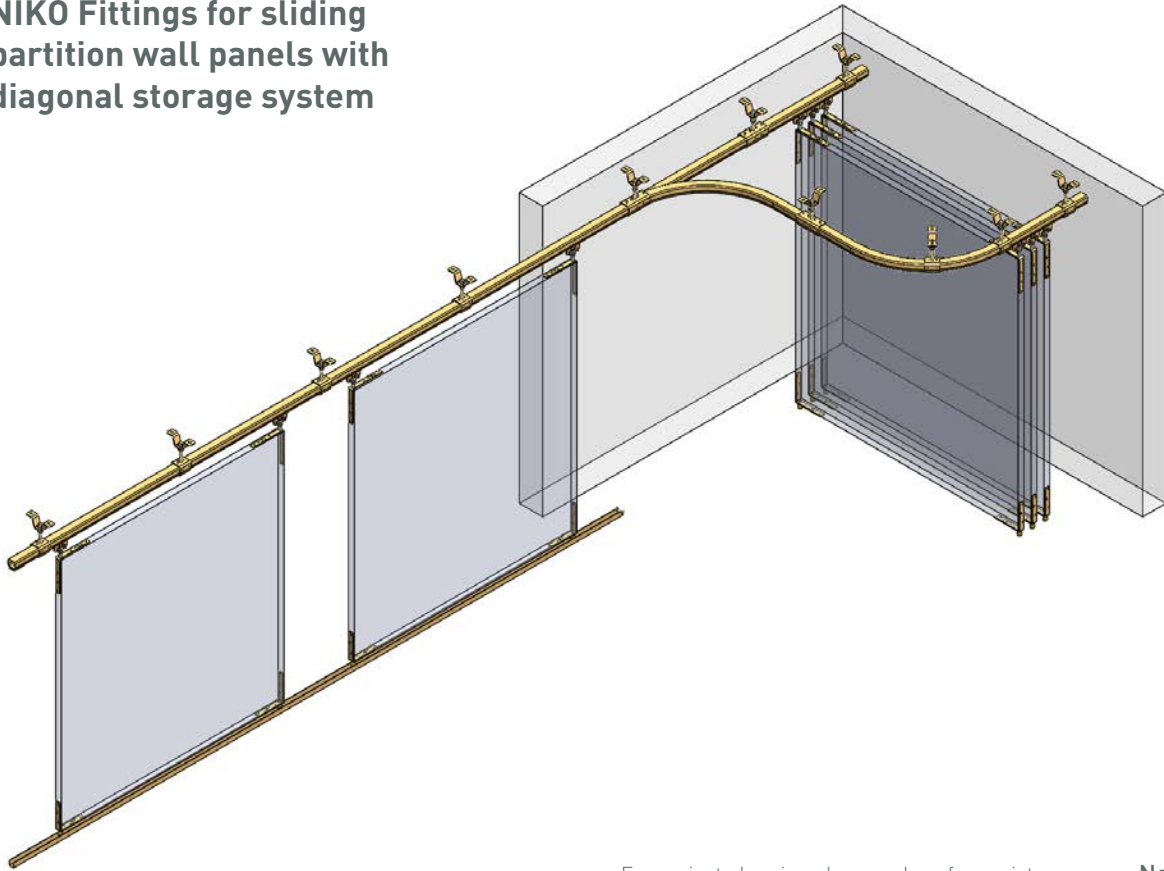


For project planning please ask us for assistance.

No. 16

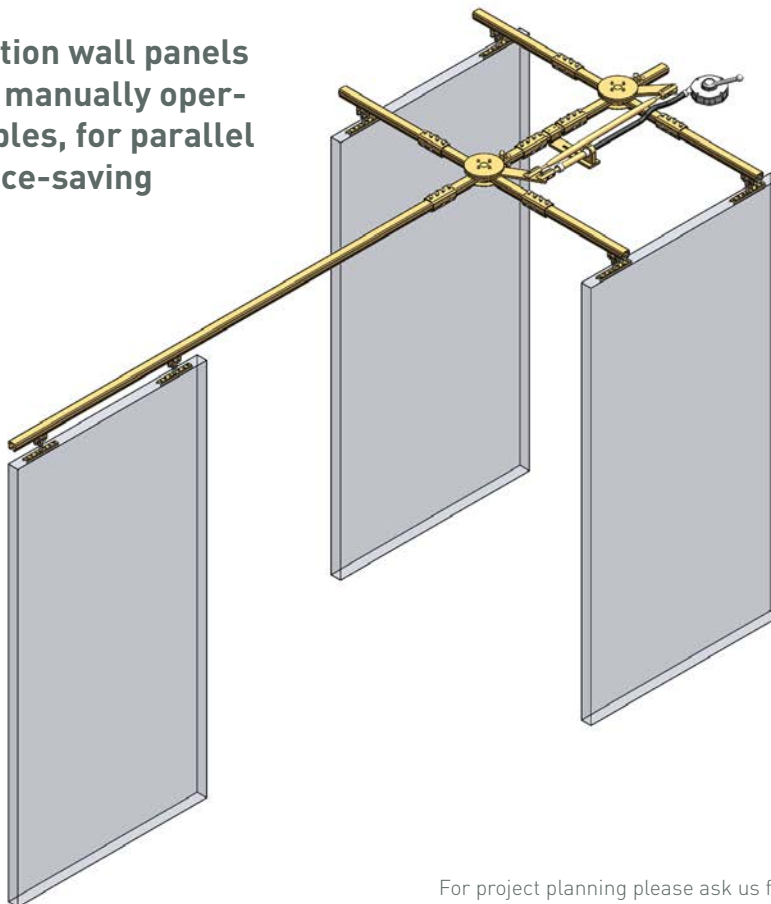
# Application examples

**NIKO Fittings for sliding partition wall panels with diagonal storage system**



For project planning please ask us for assistance. **No. 17**

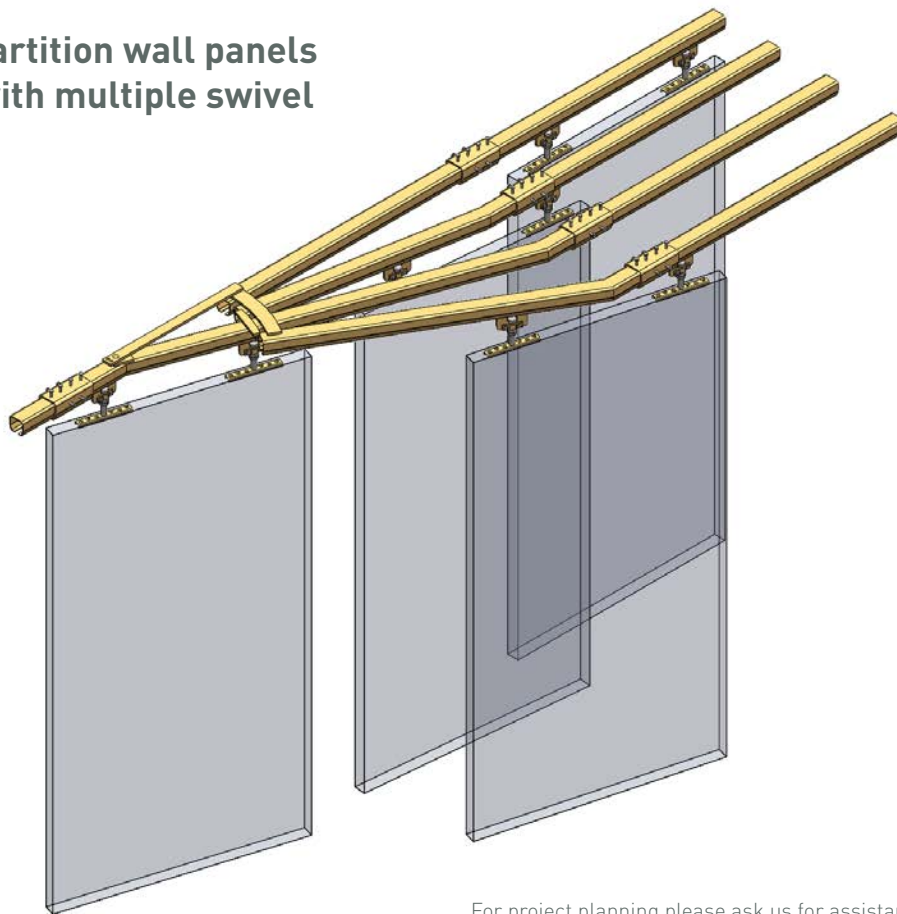
**Sliding partition wall panels system with manually operated turn tables, for parallel storage, space-saving**



For project planning please ask us for assistance. **No. 18**

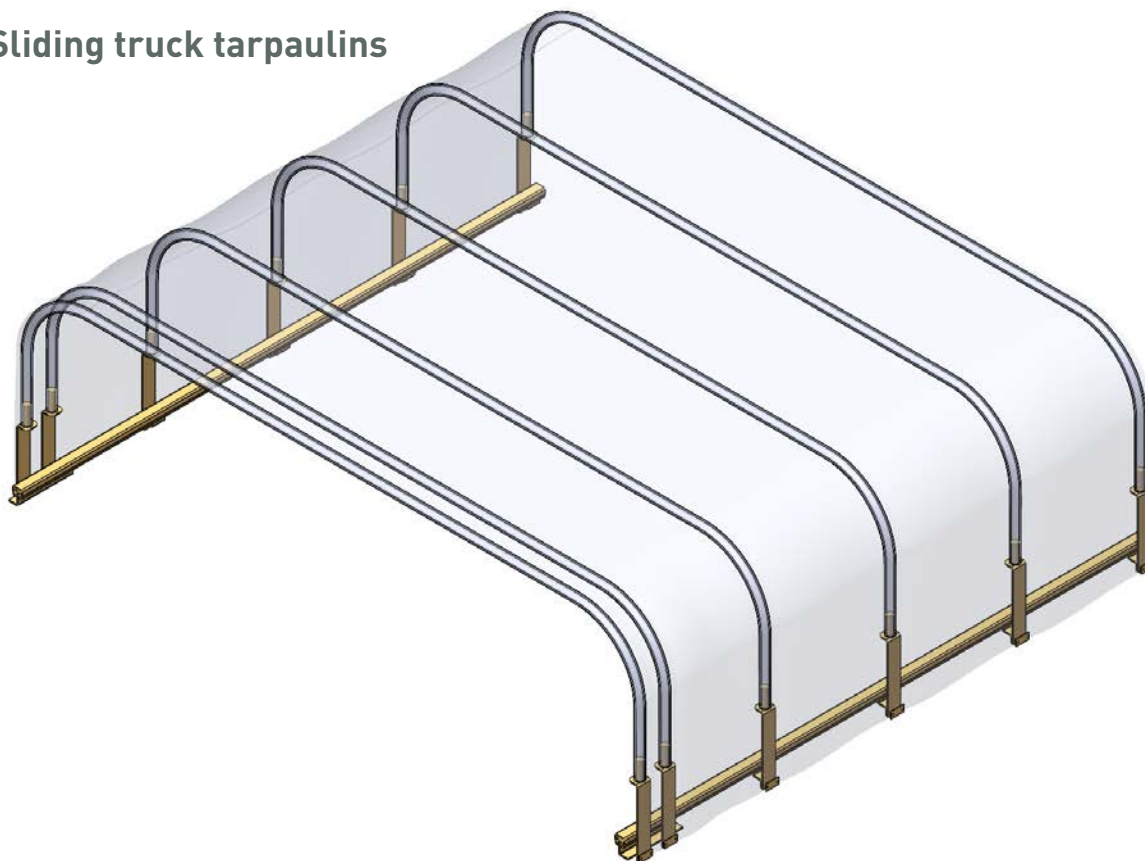
# Application examples

**Sliding partition wall panels system with multiple swivel switches**



For project planning please ask us for assistance. **No. 19**

**Sliding truck tarpaulins**



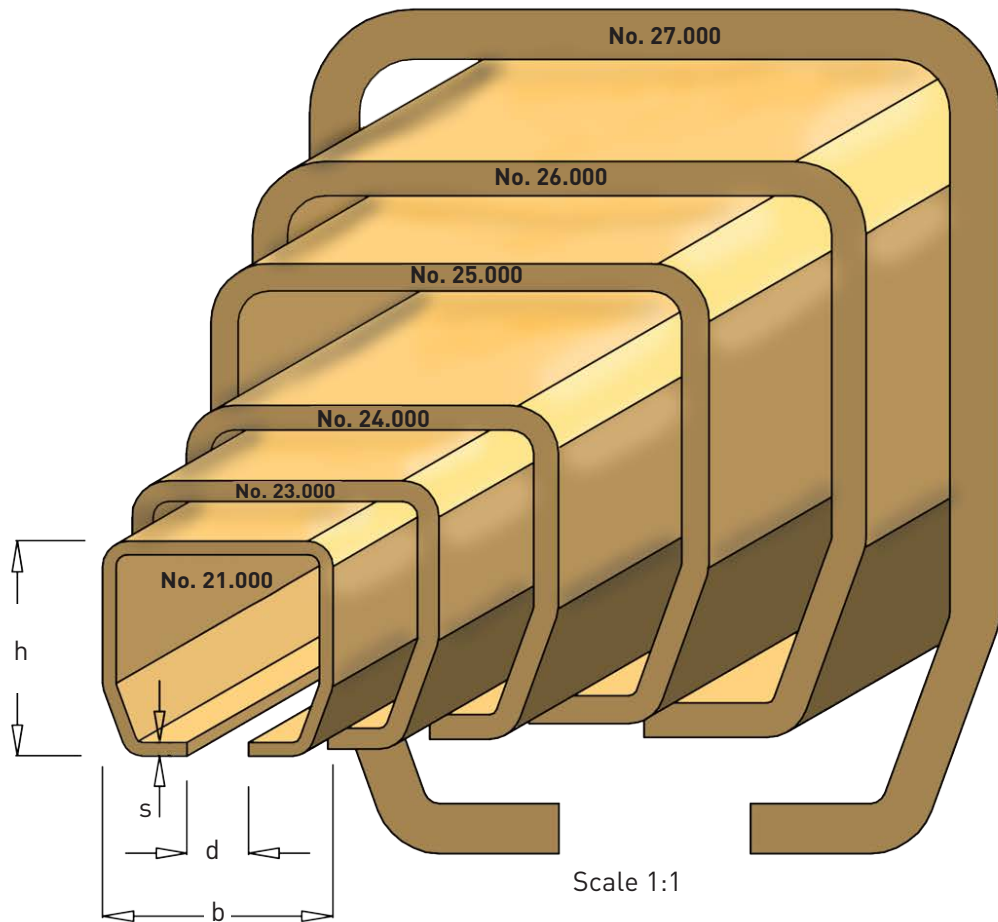
For project planning please ask us for assistance. **No. 20**

# Component Specifications

## NIKO Track Profiles

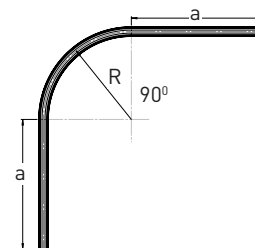
are made from hot-rolled steel according to WZ EN. Plain or zinc plated steel surface. Steel Type according to EN10025-2:2005-04.

NIKO Profile No.	Dimensions			
	h (mm)	b (mm)	d (mm)	s (mm)
21.000	28,00	30,00	8,00	1,75
23.000	35,00	40,00	11,00	2,75
24.000	43,50	48,50	15,00	3,20
25.000	60,00	65,00	18,00	3,60
26.000	75,00	80,00	22,00	4,50
27.000	110,00	90,00	25,00	6,50

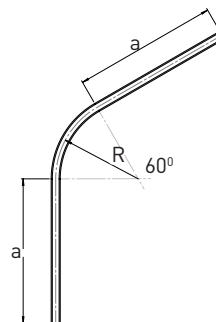


# Track bends

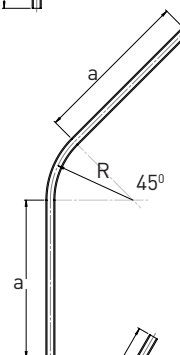
NIKO Profile No.	21.000	23.000	24.000	25.000	26.000	27.000
Track bend 90° No.	21.C06	23.C07	24.C06	25.C06	26.C08	27.C10
a (mm)	490±20	460±20	550±20	550±20	900±20	690±20
R (mm)	650±10	690±15	580±15	580±15	770±20	1035±20
L (mm)	2000	2000	2000	2000	3000	3000



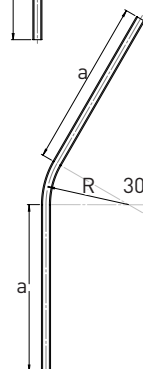
NIKO Profile No.	21.000	21.000	21.000	23.000	24.000	
Track bend 90° No.	21.C02	21.C03	21.C04	23.C04	24.C04	24.C09
a (mm)	590±20	510±20	690±20	690±20	650±20	540±20
R (mm)	205±10	300±10	400±10	400±15	440±15	905±15
L (mm)	1500	1500	2000	2000	2000	2500



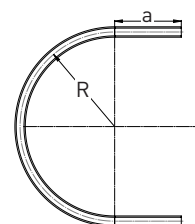
NIKO Profile No.	21.000	23.000	24.000		25.000	26.000	27.000
Track bend 60° No.	21.C16	23.C17	24.C16	24.C19	25.C16	26.C18	27.C20
a (mm)	660±20	640±20	700±20	530±20	700±20	600±20	960±20
Track bend 45° No.	21.C26	23.C27	24.C26	24.C29	25.C26	26.C28	27.C30
a (mm)	750±20	730±20	770±20	640±20	770±20	700±20	1090±20
Track bend 30° No.	21.C36	23.C37	24.C36	24.C39	25.C36	26.C38	27.C40
a (mm)	830±20	820±20	850±20	760±20	850±20	800±20	1230±20
R (mm)	650±10	690±15	580±15	905±15	580±15	770±20	1035±20
L (mm)	2000	2000	2000	2000	2000	2000	3000



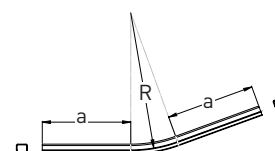
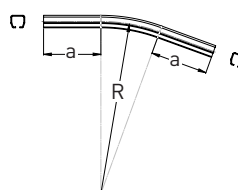
NIKO Profile No.	21.000		23.000	24.000
Track bend 60° No.	21.C12	21.C14	23.C14	24.C14
a (mm)	640±20	790±20	790±20	770±20
Track bend 45° No.	21.C22	21.C24	23.C24	24.C24
a (mm)	670±20	840±20	840±20	830±20
Track bend 30° No.	21.C32	21.C34	23.C34	24.C34
a (mm)	700±20	900±20	900±20	890±20
R (mm)	205±10	400±10	400±15	440±15
L (mm)	1500	2000	2000	2000



NIKO Profile No.	21.000		23.000		24.000		25.000	26.000
Track bend 180° No.	21.C64	21.C66	23.C64	23.C67	24.C64	24.C66	25.C66	26.C68
a (mm)	250±20		200±20		300±20		300±20	130±20
R (mm)	400±10	650±10	400±15	690±15	440±15	580±15	580±15	770±20



NIKO Profile No.	23.000	24.000	25.000	26.000
Vertical bend Top inside slot 20° No.	23.C50	24.C50	25.C50	26.C50
Vertical bend Under outside slot 20° No.	23.C51	24.C51	25.C51	26.C51
a (mm)	220±20	220±20	220±20	220±20
R (mm)	600±20	600±20	600±20	600±20



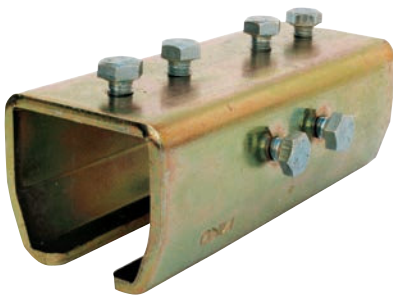
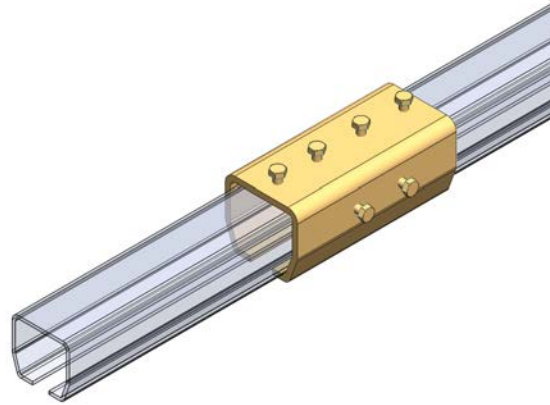
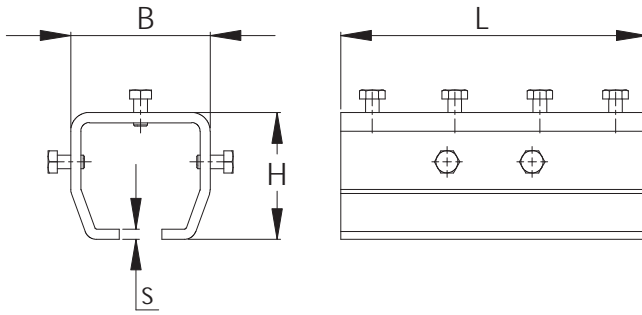


## Splice joint

Type .B49



In zinc plated steel for connection of two track sections with top and side screws. Additional installation measurements from page 90.



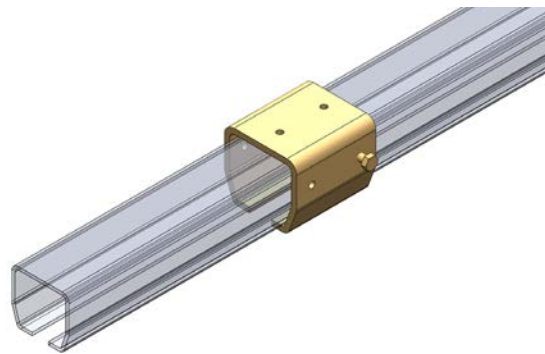
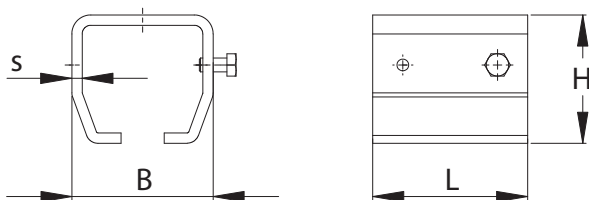
NIKO Profile No.	21.000	23.000	24.000	25.000	26.000	27.000
Splice joint No.	21.B49	23.B49	24.B49	25.B49	26.B49	27.B49
Dimension L (mm)	85	120	150	180	200	250
Dimension H (mm)	36	44	54	75	94	133
Dimension B (mm)	38	50	61	81	100	116
Dimension s (mm)	3	4	4.5	6	8	10

Sliding Door Fittings

## Support bracket (plain / zinc plated steel)

Type .B50/B00

Zinc plated steel or plain for screw on or welding to on-site steel construction. Additional installation measurements from page 90.



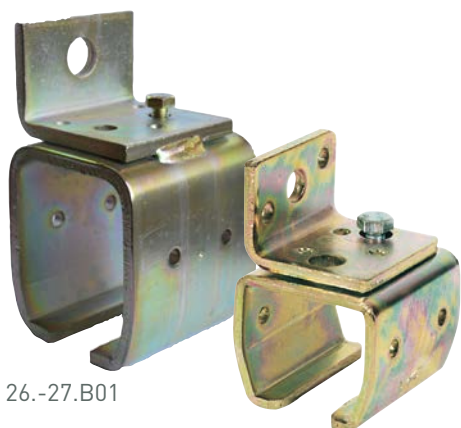
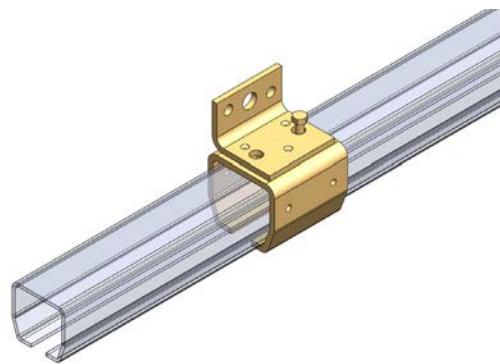
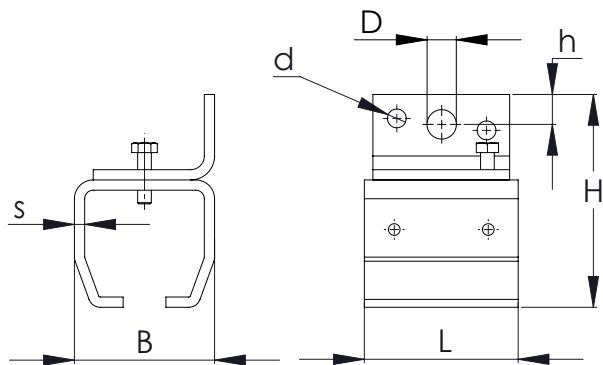
NIKO Profile No.	21.000	23.000	24.000	25.000	26.000	27.000
Support bracket zinc plated No.	21.B00	23.B00	24.B00	25.B00	26.B00	27.B00
Support bracket plain No.	21.B50	23.B50	24.B50	25.B50	26.B50	27.B50
Dimension L (mm)	40	56	68	90	110	120
Dimension H (mm)	36	44	54	75	94	133
Dimension B (mm)	38	50	61	81	100	116
Dimension s (mm)	3	4	4.5	6	8	10



## Wall support bracket

Type .B01

Zinc plated steel support for wall mounting without adjustment possibility. Additional installation measurements from page 90.



26.-27.B01

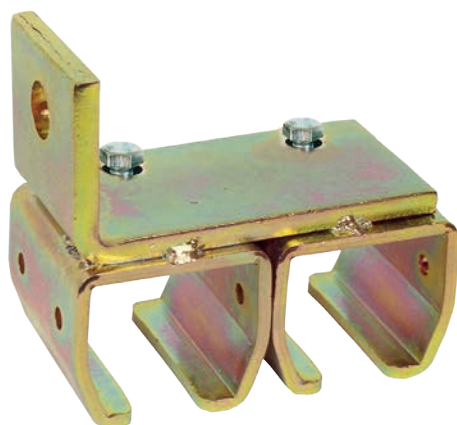
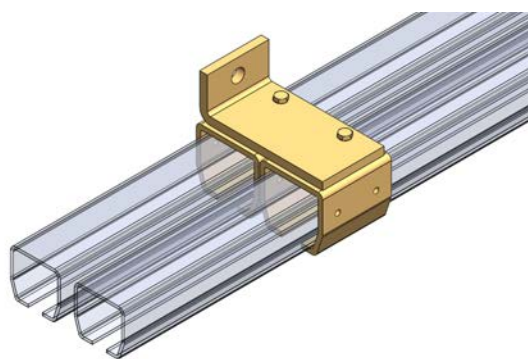
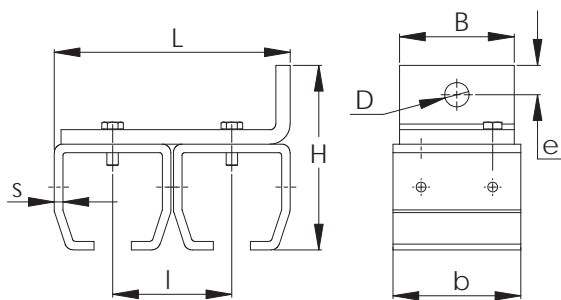
21.-25.B01

NIKO Profile No.	21.000	23.000	24.000	25.000	26.000	27.000
Wall support bracket No.	21.B01	23.B01	24.B01	25.B01	26.B01	27.B01
Dimension B (mm)	38	50	61	81	100	116
Dimension H (mm)	61	79	95	123	156	205
Dimension L (mm)	40	56	68	90	110	120
Dimension h (mm)	10	13	16	18	24	27
Dimension D (mm)	8	11	13	17	22	26
Dimension d (mm)	5,2	6,2	8,2	11	-	-
Dimension s (mm)	3	4	4,5	6	8	10

## Double wall bracket narrow

Type .B31

Zinc plated steel support for the mounting of two tracks. Additional installation measurements from page 90.



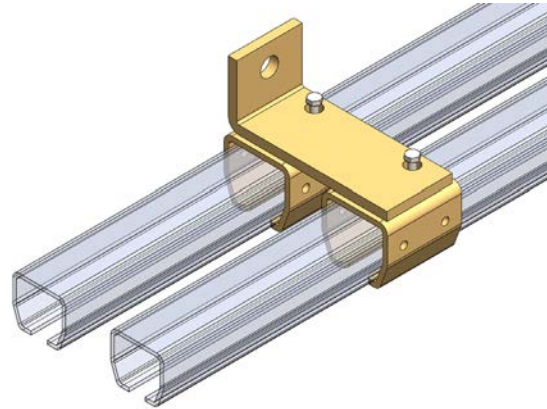
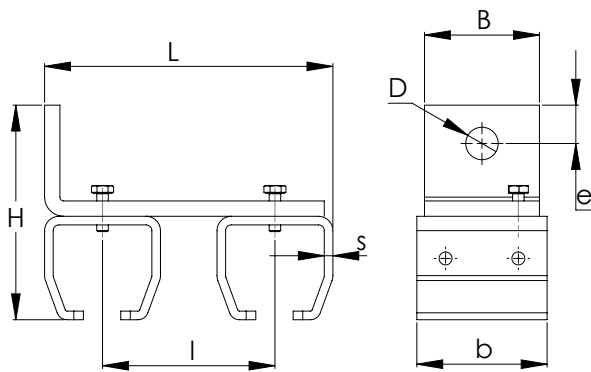
NIKO Profile No.	21.000	23.000	24.000	25.000
Double wall bracket No.	21.B31	23.B31	24.B31	25.B31
Dimension B (mm)	40	50	59	80
Dimension H (mm)	62	90	113	130
Dimension L (mm)	83	102	122	165
Dimension D (mm)	8	13	17	17
Dimension b (mm)	40	56	68	90
Dimension l (mm)	45	51	61	85
Dimension e (mm)	10	13	21	23
Dimension s (mm)	3	4	4,5	6

## Double wall bracket wide

Type .B33



Zinc plated steel support for the mounting of two tracks. Additional installation measurements from page 90.



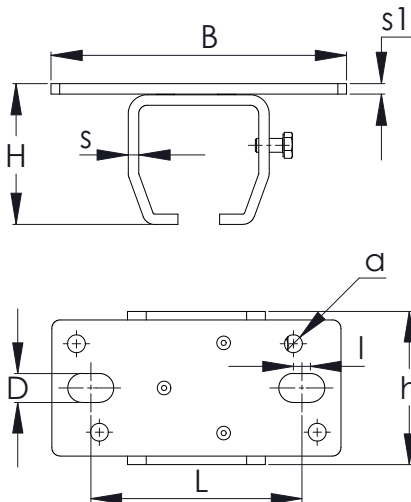
NIKO Profile No.	24.000
Double wall bracket No.	24.B33
Dimension B (mm)	60
Dimension H (mm)	113
Dimension L (mm)	150
Dimension D (mm)	17
Dimension b (mm)	68
Dimension l (mm)	90
Dimension e (mm)	21
Dimension s (mm)	4.5

Sliding Door Fittings

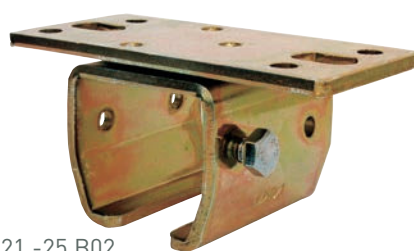
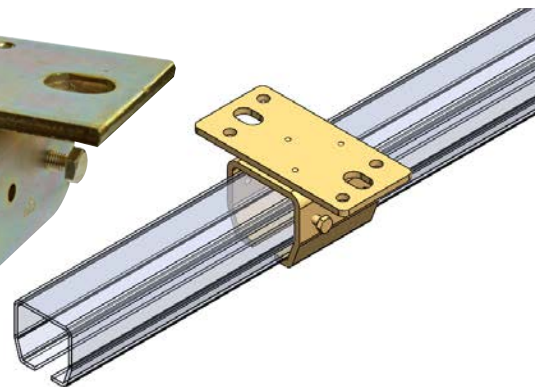
## Ceiling support bracket

Type .B02

Zinc plated steel support for mounting direct to the ceiling. Additional installation measurements from page 90.



26.-27.B02



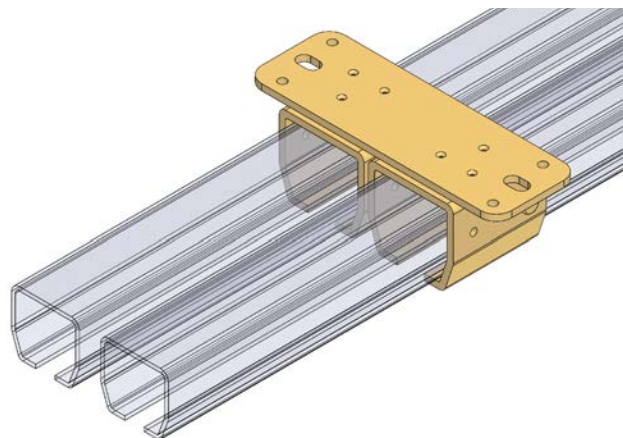
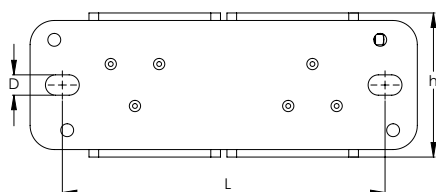
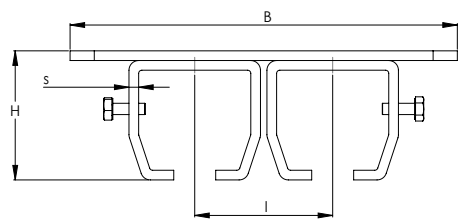
21.-25.B02

NIKO Profile No.	21.000	23.000	24.000	25.000	26.000	27.000
Ceiling Support Bracket No.	21.B02	23.B02	24.B02	25.B02	26.B02	27.B02
Dimension B (mm)	90	115	130	171	210	260
Dimension H (mm)	39	50	60	81	104	145
Dimension h (mm)	40	56	68	90	110	120
Dimension D (mm)	8	11	13	17	22	22
Dimension d (mm)	5.2	6.2	8.2	11	-	-
Dimension L (mm)	64	81	94	124	148	178,5
Dimension s (mm)	3	4	4.5	6	8	10
Dimension l (mm)	7	8	8	10	12	23.5
Dimension s1 (mm)	3	4	5	6	10	12

## Double ceiling support bracket, narrow

Type .B32

Zinc plated steel support for mounting two tracks direct to the ceiling. Additional installation measurements from page 90.

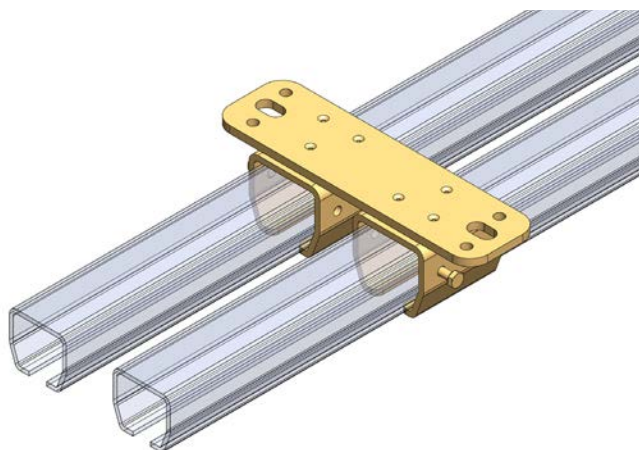
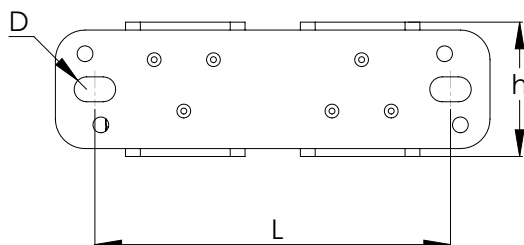
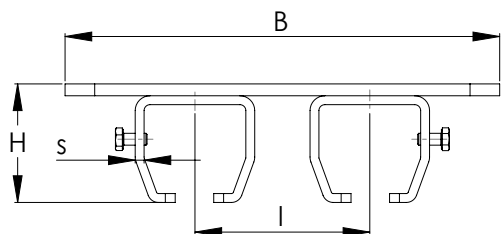


NIKO Profile No.	21.000	23.000	24.000	25.000
Double ceiling support bracket No.	21.B32	23.B32	24.B32	25.B32
Dimension B (mm)	135	170	192	260
Dimension H (mm)	40	50	61	85
Dimension L (mm)	110	133	153	215
Dimension D (mm)	8	11	13	17
Dimension h (mm)	40	56	68	90
Dimension l (mm)	45	51	60	85
Dimension s (mm)	3	4	4.5	6

## Double ceiling support bracket, wide

Type .B34

Zinc plated steel support for mounting two tracks direct to the ceiling. Additional installation measurements from page 90.



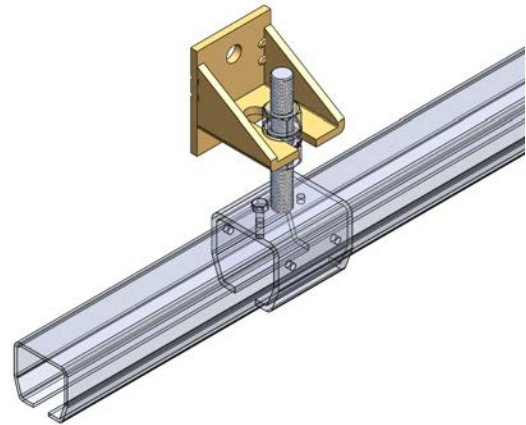
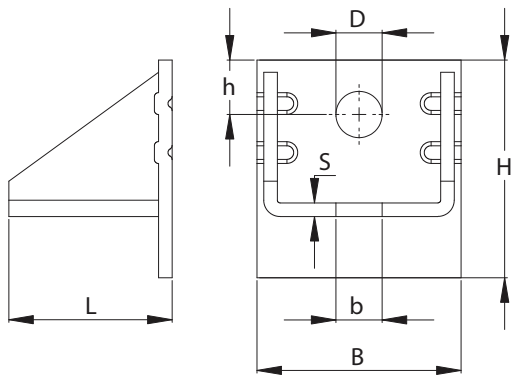
NIKO Profile No.	24.000
Double ceiling support bracket No.	24.B34
Dimension B (mm)	222
Dimension H (mm)	61
Dimension L (mm)	184
Dimension D (mm)	13
Dimension h (mm)	68
Dimension l (mm)	91
Dimension s (mm)	4.5

## Adjustable wall bracket

## Type 24.-26.B05



Zinc plated steel wall bracket. Short type for single track. For use with adjustable bracket Type .B04.  
Additional installation measurements from page 90.

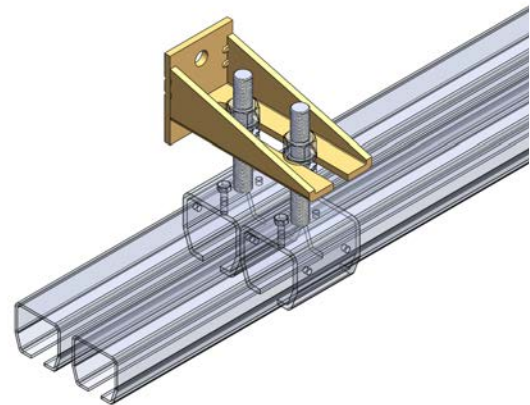
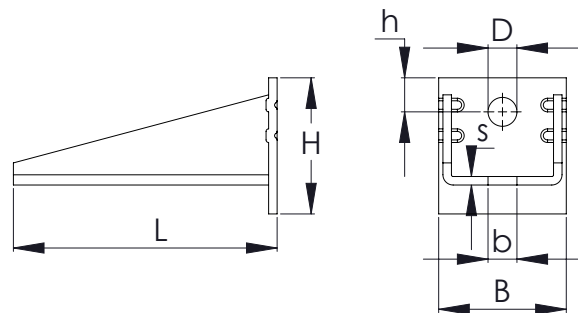


NIKO Profile No.	23./24.000	25./26.000
Adjustable wall bracket No.	24.B05	25./26.B05
Dimension B (mm)	75	90
Dimension H (mm)	80	110
Dimension L (mm)	60	98
Dimension s (mm)	5	8
Dimension b (mm)	17	21
Dimension D (mm)	17	18
Dimension h (mm)	20	26

## Double adjustable wall bracket

## Type 24.-27.B06

Zinc plated steel, double wall bracket. Long type for twin tracks. For use with adjustable bracket Type .B04. Additional installation measurements from page 90.

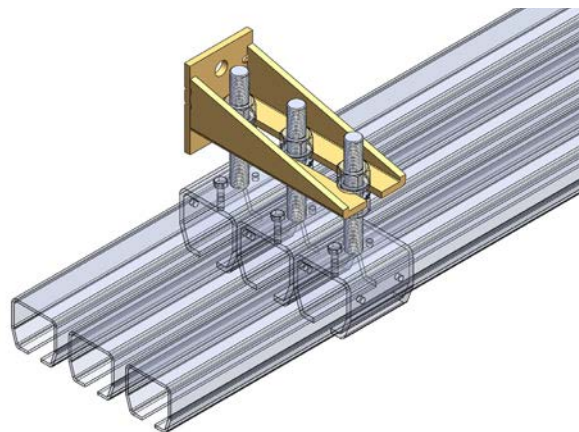
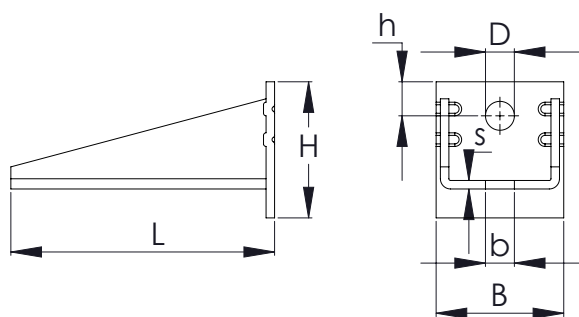


NIKO Profile No.	23./24.000	25.000	26.000	27.000
Double adjustable wall bracket No.	24.B06	25.B06	26.B06	27.B06
Dimension B (mm)	75	90	90	90
Dimension H (mm)	80	110	110	110
Dimension h (mm)	20	26	26	26
Dimension L (mm)	155	208	208	208
Dimension s (mm)	5	8	8	8
Dimension b (mm)	17	21	21	32
Dimension D (mm)	17	18	18	22

## Adjustable wall bracket

## Type 24.B66

Zinc plated steel wall bracket. Extra long for triple tracks. For use with adjustable bracket Type .B04.  
Additional installation measurements from page 90.

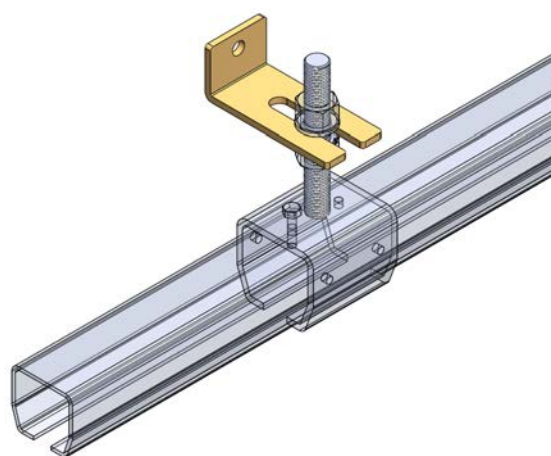
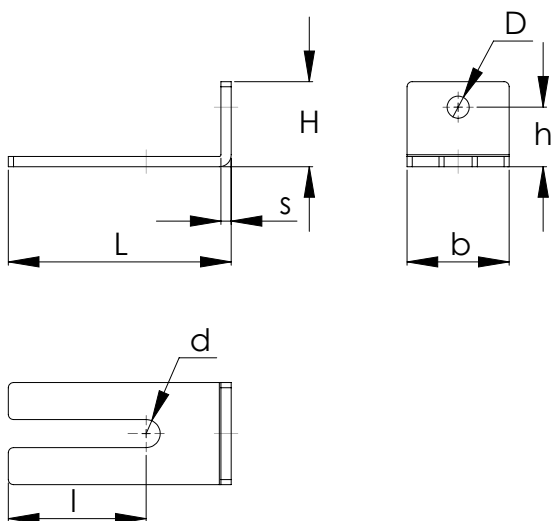


NIKO Profile No.	23./24.000
Adjustable wall bracket No.	24.B66
Dimension B (mm)	90
Dimension H (mm)	110
Dimension L (mm)	208
Dimension D (mm)	18
Dimension b	17
Dimension h	26
Dimension s	8

## Adjustable wall bracket

## Type 21.B05, 21.B06, 21.B65/.B66

Zinc plated steel wall bracket, light duty type.



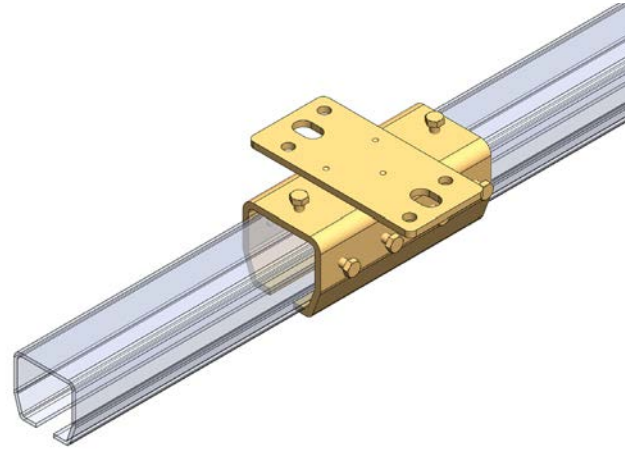
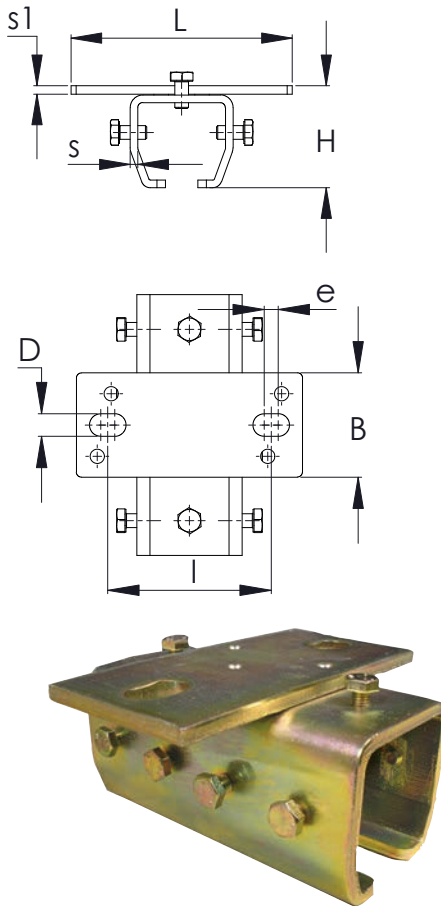
NIKO Profile No.	21.000	21.000	21.000	21.000
Adjustable wall bracket No.	21.B05	21.B06	21.B65	21.B66
Dimension L (mm)	49	100	130	220
Dimension H (mm)	40	50	50	50
Dimension D (mm)	13	13	13	13
Dimension l (mm)	31	80	80	80
Dimension b (mm)	50	60	60	60
Dimension d (mm)	10.5	10.5	10.5	10.5
Dimension s (mm)	5	6	6	8
Dimension h (mm)	25	35	35	35

## Ceiling support / splice joint

Type .B30



Zinc plated steel splice joint for mounting direct to ceiling.



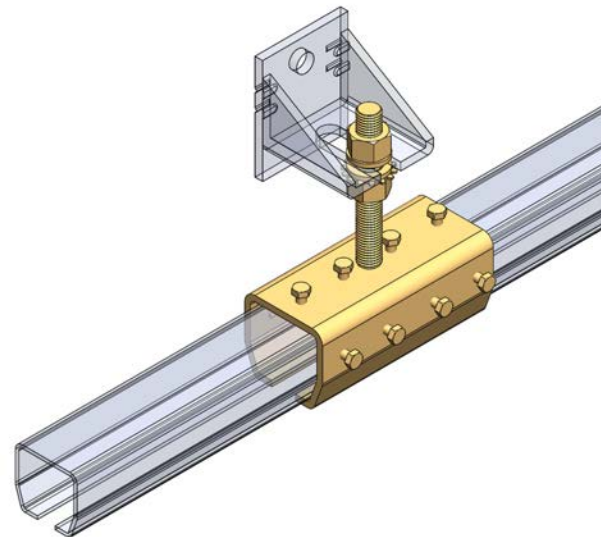
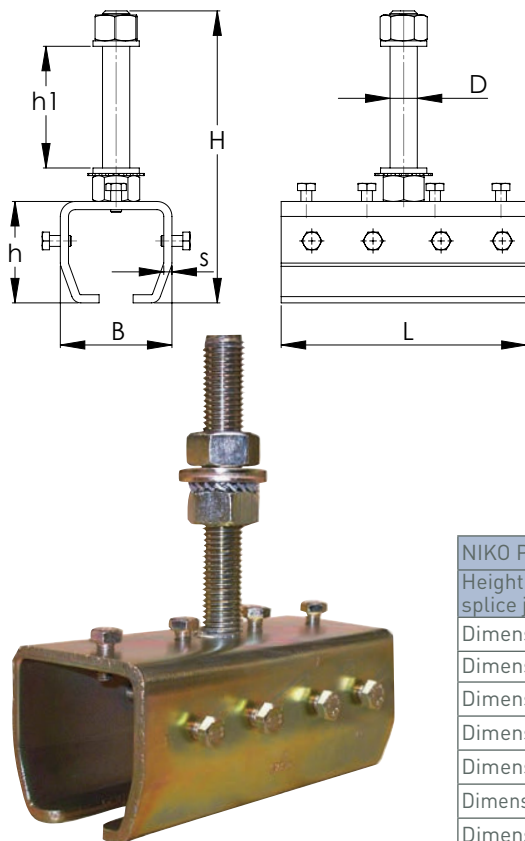
NIKO Profile No.	21.000	23.000	24.000	25.000	26.000	27.000
Ceiling support joint No.	21.B30	23.B30	24.B30	25.B30	26.B30	27.B30
Dimension L (mm)	90	115	130	171	210	260
Dimension H (mm)	39	50	60	81	104	145
Dimension s (mm)	3	4	4.5	6	8	10
Dimension B (mm)	40	50	60	80	100	120
Dimension e (mm)	7	8	8	10	12	23.5
Dimension l (mm)	64	81	94	124	148	178.5
Dimension D (mm)	8	11	13	17	22	22
Dimension s1 (mm)	3	4	5	6	10	12

Sliding Door Fittings

## Height adjustable support / splice joint

Type .B11

Zinc plated steel splice joint for mounting on adjustable wall brackets .B05/.B06.



NIKO Profile No.	21.000	23.000	24.000	25.000	26.000	27.000
Height adjustable splice joint No.	21.B11	23.B11	24.B11	25.B11	26.B11	27.B11
Dimension B (mm)	38	50	61	81	100	116
Dimension H (mm)	100	135	146	215	295	348
Dimension D (mm)	M10	M16	M16	M20	M20	M30
Dimension L (mm)	85	120	150	180	200	250
Dimension h (mm)	36	44	54	75	94	133
Dimension h1 max (mm)	32	50	55	93	140	140
Dimension s (mm)	3	4	4.5	6	8	10



**Heavy Duty Sliding Door Fittings**  
We reserve the right for technical amendments without obligation.  
The product pictures and drawings depicted in this catalogue do not always reflect all available sizes.

Ver. January 2017

[www.niko.eu.com](http://www.niko.eu.com)

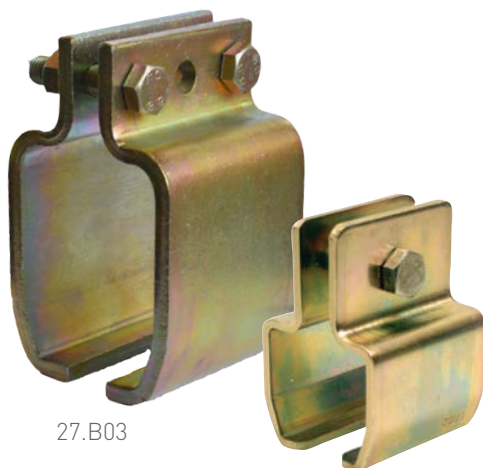
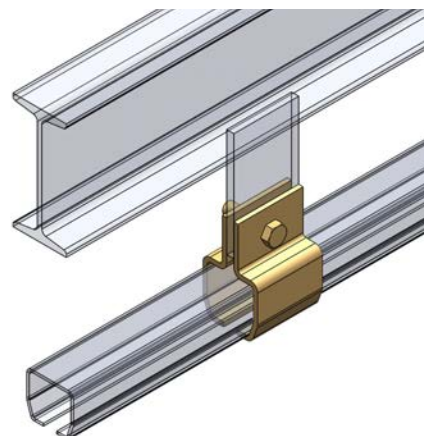
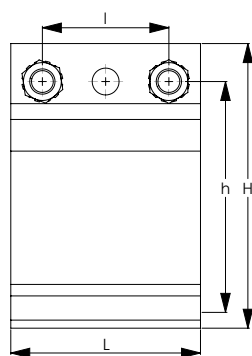
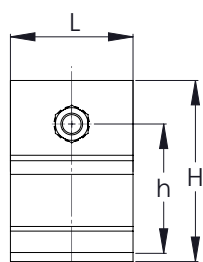
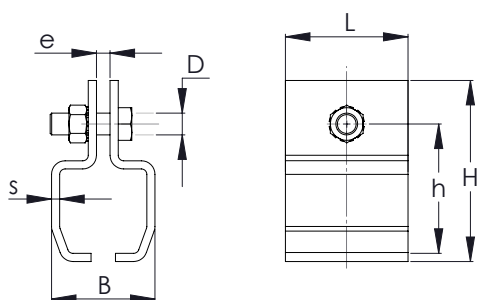
## Split support bracket

Type .B03

Zinc plated steel support, for mounting tracks onto flat steel plates.

21.- 26.B03

27.B03



27.B03

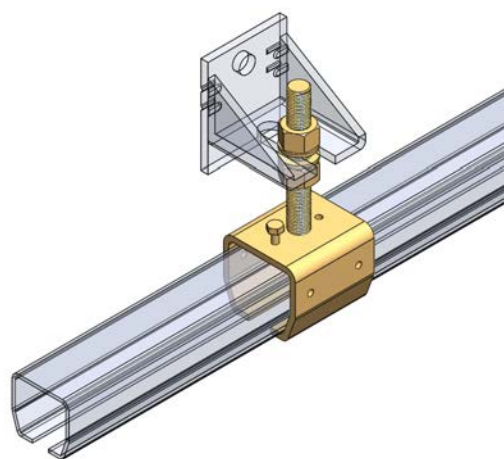
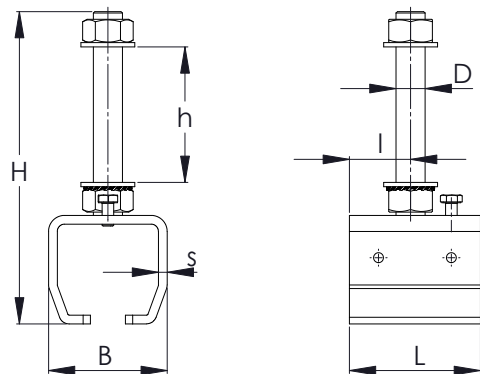
21.- 26.B03

NIKO Profile No.	21.000	23.000	24.000	25.000	26.000	27.000
Split support bracket No.	21.B03	23.B03	24.B03	25.B03	26.B03	27.B03
Dimension B (mm)	36	48	57	77	96	110
Dimension H (mm)	65	78	88	131	150	180
Dimension L (mm)	40	50	50	90	110	120
Dimension h (mm)	47	60	70	94	112	148
Dimension s (mm)	3	4	4	6	8	10
Dimension e (mm)	6	8	8	10	10	15
Dimension D (mm)	M10	M12	M12	M16	M16	M16
Dimension l (mm)	-	-	-	-	-	80

## Height adjustable bracket

Type .B04

Zinc plated steel support with adjustable thread for mounting on adjustable wall brackets.  
Additional installation measurements from page 90.



NIKO Profile No.	21.000	23.000	24.000	25.000	26.000	27.000
Height adjustable bracket No.	21.B04	23.B04	24.B04	25.B04	26.B04	27.B04
Dimension B (mm)	38	50	61	81	100	116
Dimension H (mm)	100	135	146	215	295	348
Dimension L (mm)	40	56	68	90	110	120
Dimension D (mm)	M10	M16	M16	M20	M20	M30
Dimension h max (mm)	32	50	55	93	140	140
Dimension s (mm)	3	4	4.5	6	8	10
Dimension l (mm)	16	20	30	40	50	43

### Heavy Duty Sliding Door Fittings

We reserve the right for technical amendments without obligation.  
The product pictures and drawings depicted in this catalogue do not always reflect all available sizes.

Ver. January 2017

[www.niko.eu.com](http://www.niko.eu.com)

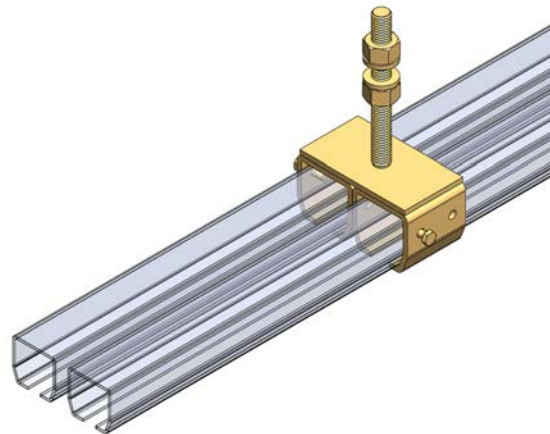
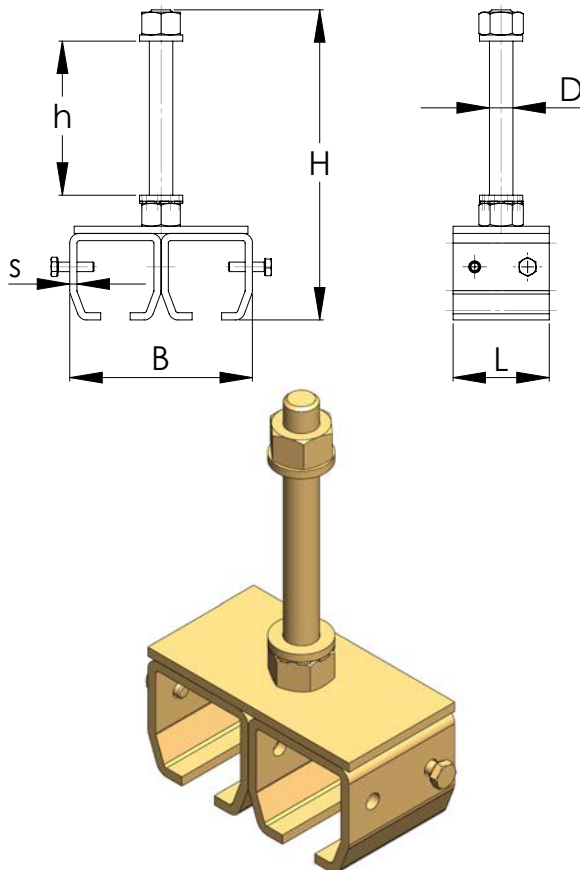


## Double height adjustable support bracket

Type .B84



Zinc plated steel, height adjustable bracket for mounting two tracks, light type for profile No. 21.000.



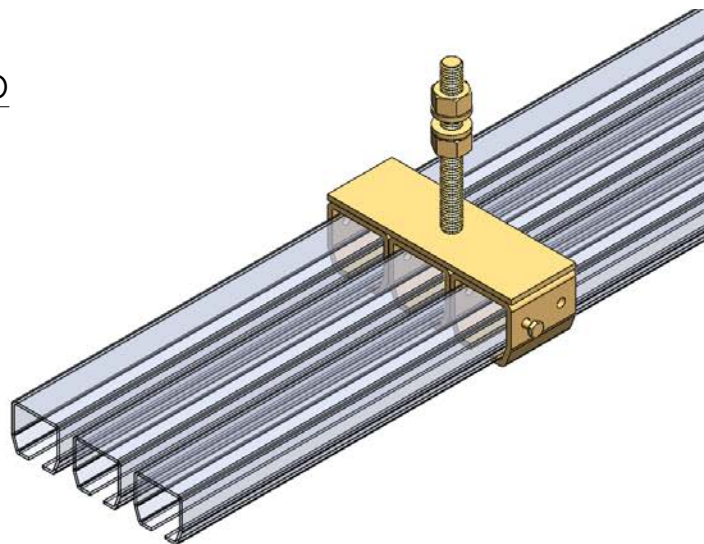
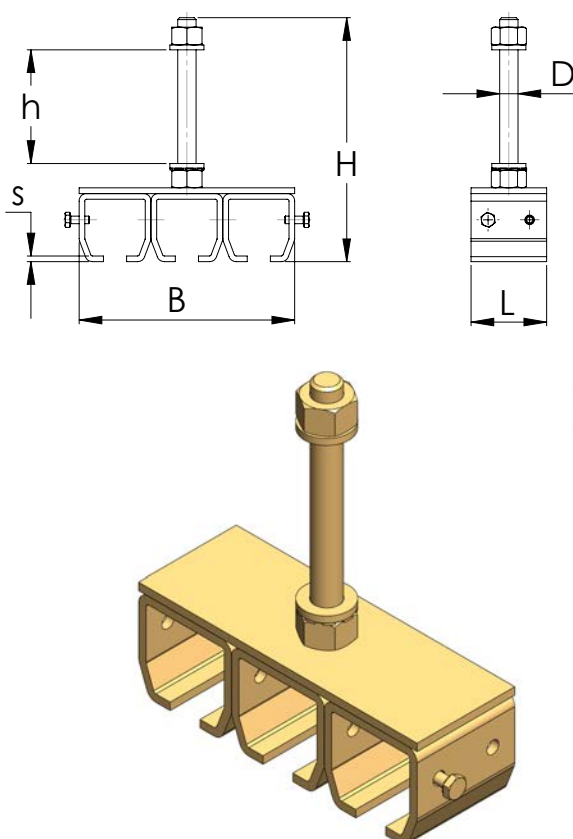
NIKO Profile No.	21.000
Double height adjustable bracket No.	21.B84
Dimension B (mm)	76
Dimension H (mm)	129
Dimension h max (mm)	65
Dimension D (mm)	M10
Dimension L (mm)	40
Dimension s (mm)	3

Sliding Door Fittings

## Triple height adjustable support bracket

Type .B85

Zinc plated steel, height adjustable bracket for mounting three tracks, light type for profile No. 21.000.



NIKO Profile No.	21000
Triple height adjustable bracket No.	21.B85
Dimension B (mm)	115
Dimension H (mm)	129
Dimension D (mm)	M10
Dimension h max (mm)	65
Dimension L (mm)	40
Dimension s (mm)	3



Heavy Duty Sliding Door Fittings  
We reserve the right for technical amendments without obligation.  
The product pictures and drawings depicted in this catalogue do not always reflect all available sizes.

Ver. January 2017

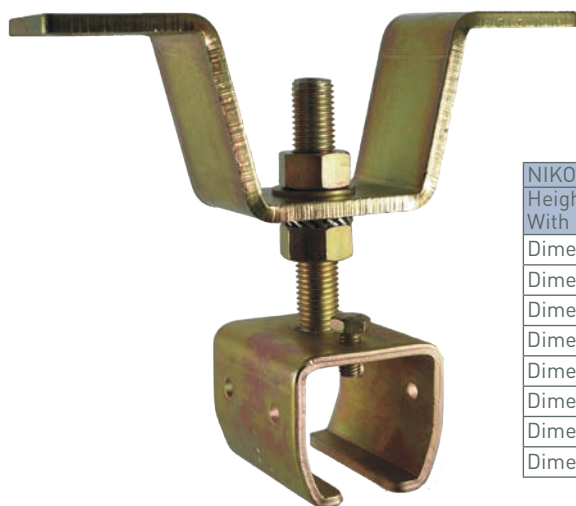
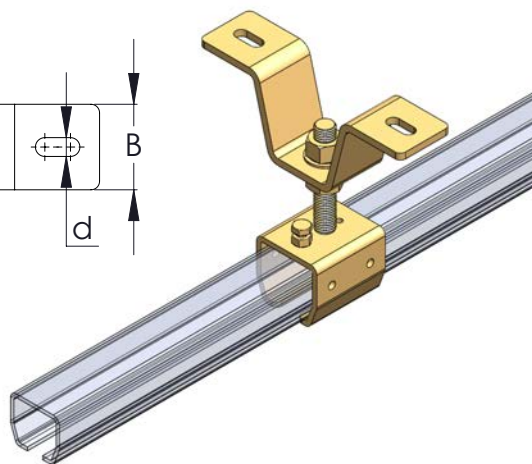
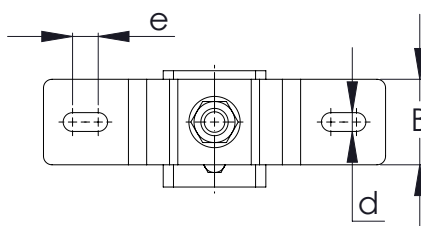
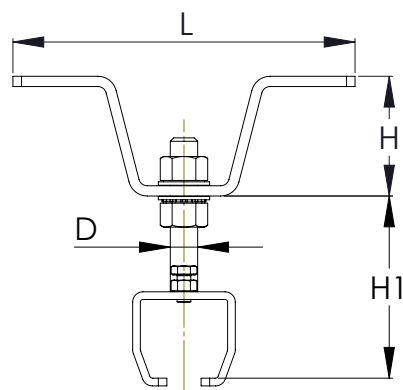
www.niko.eu.com

33

## Adjustable bracket with ceiling support

Type .B44

Zinc plated steel support, height adjustable.

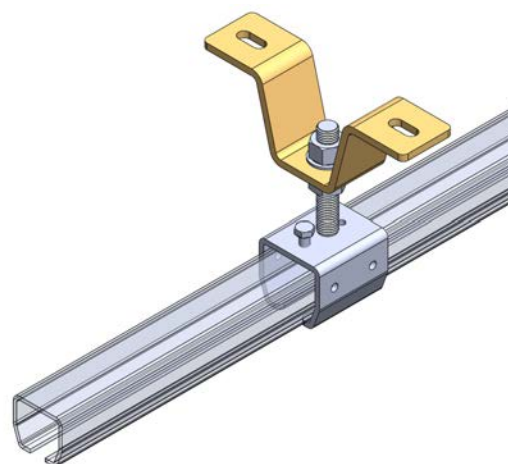
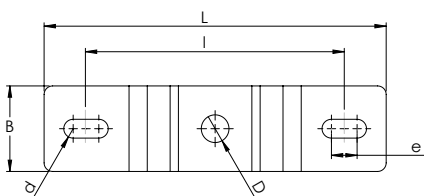
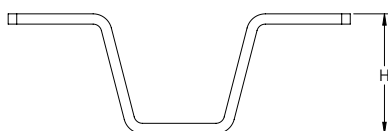


NIKO Profile No.	23.000	24.000	25.000	26.000	27.000
Height Adjustable Bracket With Roof Fixing Plate No.	23.B44	24.B44	25.B44	26.B44	27.B44
Dimension B (mm)	50	50	50	80	80
Dimension H (mm)	70	70	70	100	100
Dimension L (mm)	200	200	200	280	300
Dimension D (mm)	M16	M16	M20	M20	M30
Dimension e (mm)	15	15	15	18	20
Dimension d (mm)	11	11	11	21	21
Dimension H1 max (mm)	100	110	175	255	300
Dimension H1 min (mm)	50	55	85	115	160

## Ceiling support

Type .Z08

Zinc plated steel. Ceiling mounted for use with B04 height adjustable brackets.



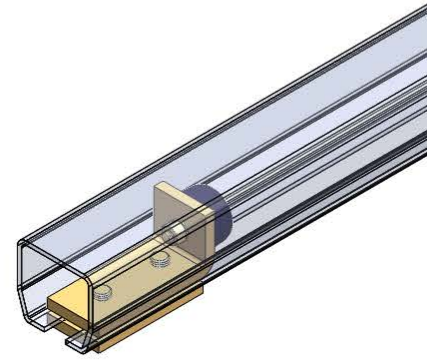
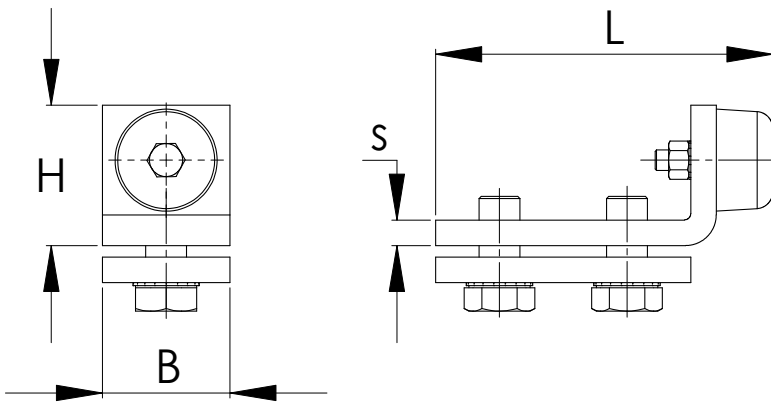
NIKO Profile No.	23/24.000	25.000	26.000	27.000
Roof fixing plate No.	23/24.Z08	25.Z08	26.Z08	27.Z08
Dimension B (mm)	50	50	80	80
Dimension H (mm)	70	70	100	100
Dimension L (mm)	200	200	280	300
Dimension D (mm)	17	21	21	31
Dimension e (mm)	15	15	18	20
Dimension d (mm)	11	11	21	21
Dimension l (mm)	150	150	220	240

## Track end stop, long

Type .X01



Zinc plated steel track end stop with two clamping screws and rubber buffer, long.

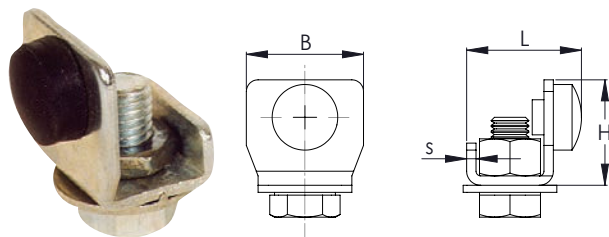


NIKO Profile No.	23.000	24.000	25.000	26.000	27.000
Track end stop No.	23.X01	24.X01	25.X01	26.X01	27.X01
Dimension B (mm)	20	30	40	50	50
Dimension H (mm)	24	30	47	55	70
Dimension L (mm)	70	75	120	135	135
Dimension s (mm)	4	5	8	10	10

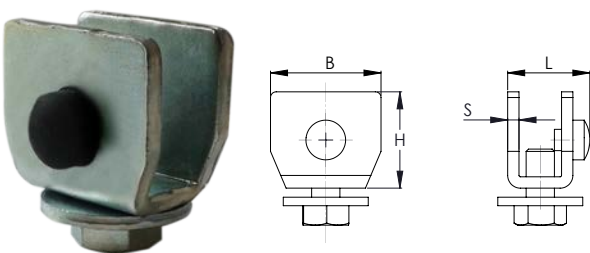
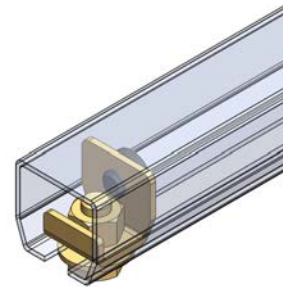
## Track end stop, short

Type .X04

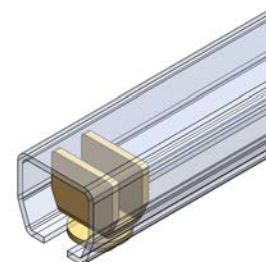
Zinc plated steel track end stop with two clamping screws and rubber buffer, short.



NIKO Profile No.	21.000
Track end stop No.	21.X04
Dimension B (mm)	25
Dimension H (mm)	23
Dimension L (mm)	25
Dimension s (mm)	2



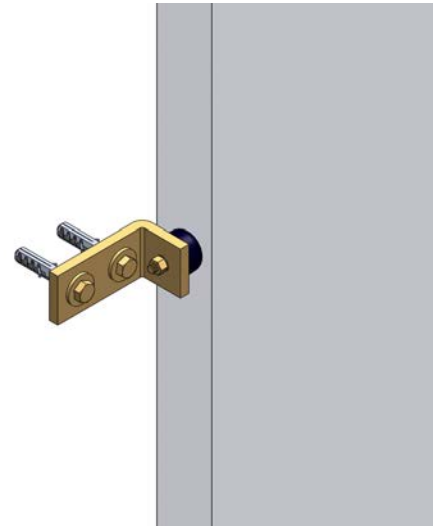
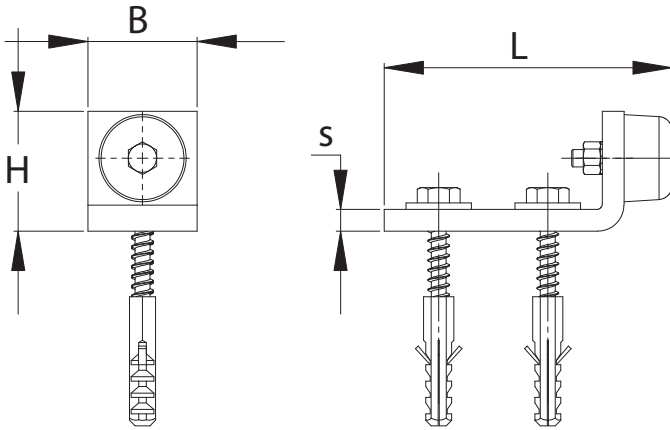
NIKO Profile No.	23.000	24.000
Track end stop No.	23.X04	24.X04
Dimension B (mm)	32	39
Dimension H (mm)	28	34
Dimension L (mm)	30	30
Dimension s (mm)	4	4



## Door end stop

Type .X02

Zinc plated steel door end stop, light duty, including screws for mounting on the masonry

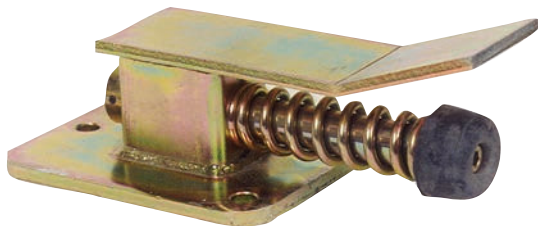
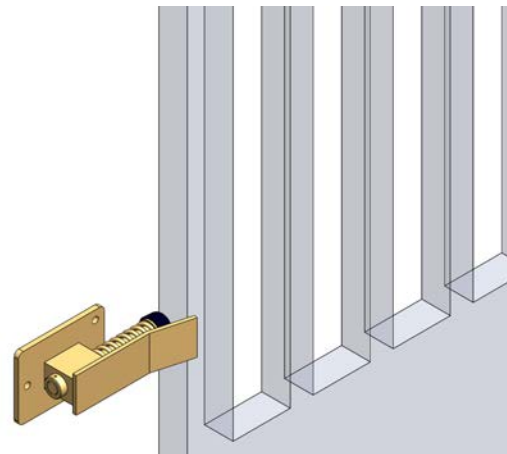
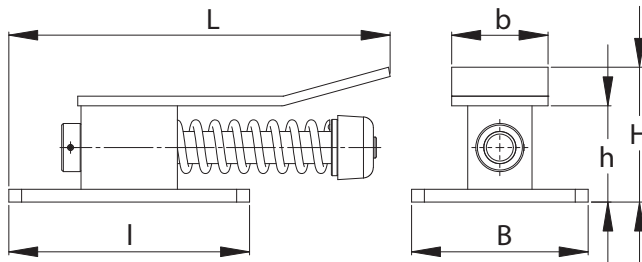


NIKO Profile No.	21.000	23/24.000	25/26/27.000
Door end stop No.	21.X02	23.X02	26.X02
Dimension B (mm)	20	40	50
Dimension H (mm)	25	47	70
Dimension L (mm)	69	120	135
Dimension s (mm)	4	8	10

## Door end stop with spring

Type .X03

Zinc plated steel door end stop, heavy duty, with stable steel spring and run-in guide



NIKO Profile No.	23/24.000	25/26/27.000
Door end stop No.	23.X03	26.X03
Dimension B (mm)	110	110
Dimension H (mm)	88	110
Dimension L (mm)	242	345
Dimension b (mm)	60	60
Dimension h (mm)	60	80
Dimension l (mm)	150	200

		NIKO-Profile	21.	23.	24.	25.	26.	27.
		Standard bearings for operating temperatures from -20°C to 80°C	21	23	24	25	26	27
		Low temperature bearings (special grease) for operating temperatures from -50°C to 80°C (suitable for food processing sector)		TL.23	TL.24	TL.25	TL.26	TL.27
		High temperature bearings (special grease) for operating temperatures from -40°C to 260°C		TH.23	TH.24	TH.25	TH.26	TH.27
		Nylon tyred bearings		PL.23	PL.24	PL.25	PL.26	PL.27
		Ammonia resistant bearings (special grease) for operating temperatures from -20°C to 130°C	AM.21	AM.23	AM.24	AM.25	AM.26	AM.27
		Stainless steel bearings for operating temperatures from -20°C to 80°C	IN.21	IN.23	IN.24	IN.25		

Sliding Door Fittings

**Definition of symbols**

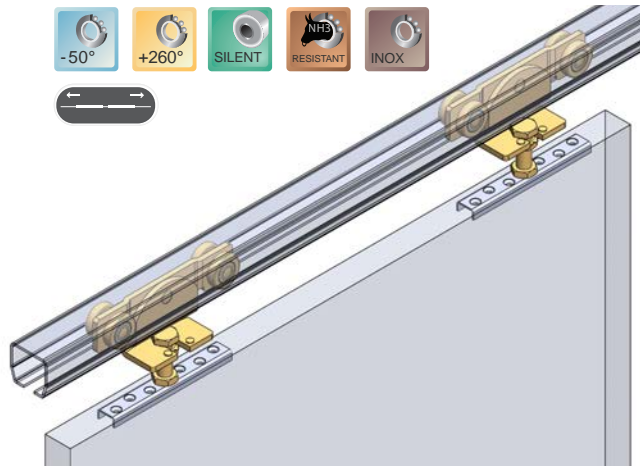
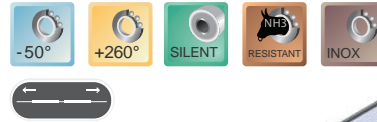
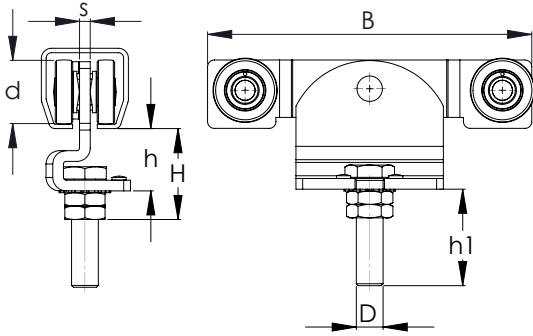
If an item shows no symbol, then this item is intended either for general use or for specific applications.

	<b>For doors / door panels made of metal</b>
	<b>For doors / door panels made of wood</b>
	<b>For sliding doors</b>
	<b>For folding doors / Suspension option Type A</b>
	<b>For folding doors / Suspension option Type B</b>
	<b>For folding doors / Suspension option Type C</b>
	<b>For harmonica type folding doors</b>
	<b>For folding doors &amp; harmonica type folding doors</b>

## Double wheel hanger

Type .R91

Zinc plated steel double wheel hanger, straight movement, with pendulum hinge and adjustable screw with nut. Additional installation measurements from page 90.

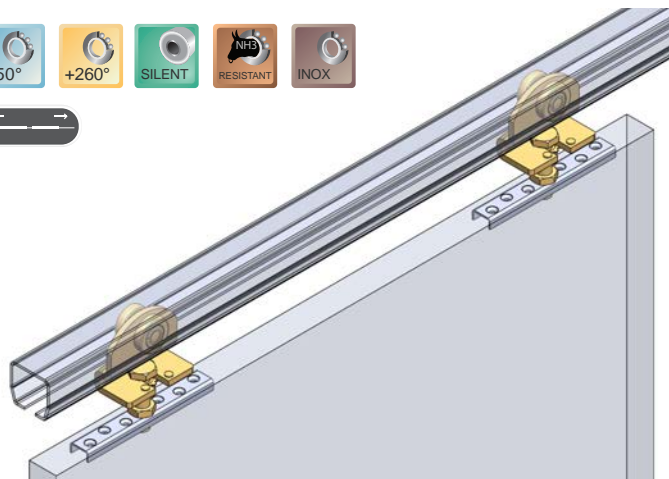
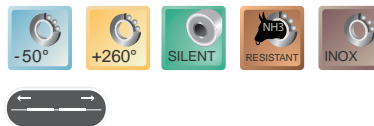
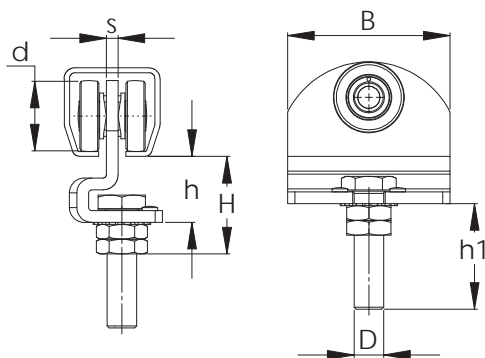


NIKO Profile No.	21.000	23.000	24.000	25.000	26.000	27.000
Wheel hanger No.	21.R91	23.R91	24.R91	25.R91	26.R91	27.R91
Load per wheel hanger (SWL kg)	50	100	200	300	600	1000
Dimension B (mm)	107	135	182	242	235	310
Dimension H (mm)	38-52	45-75	52-85	65-95	95-180	110-200
Dimension D (mm)	M10X40	M12X60	M16X70	M20X80	M24X150	M30X170
Dimension h (mm)	25	31	36	46	65	75
Dimension h1 (mm)	35	55	64	72	140	160
Dimension d (mm)	22	28	34	48	60	89
Dimension s (mm)	3	4.5	6	8	10	20

## Single wheel hanger

Type .R90

Zinc plated steel single wheel hanger, straight movement, with pendulum hinge and adjustable screw with nut. For single wheel hangers we always recommend the use of track end stop type .X01. Additional installation measurements from page 90.



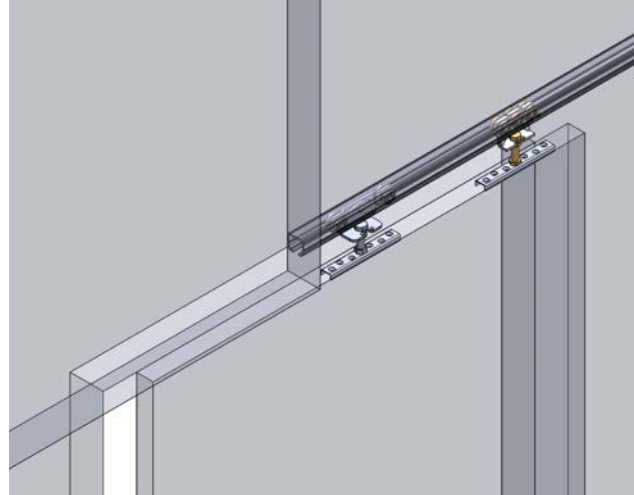
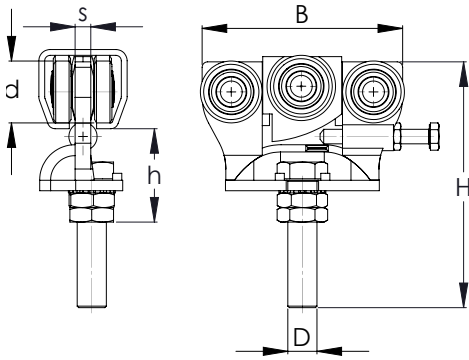
NIKO Profile No.	21.000	23.000	24.000	25.000	26.000	27.000
Wheel hanger No.	21.R90	23.R90	24.R90	25.R90	26.R90	27.R90
Load per wheel hanger (SWL kg)	30	65	100	200	400	700
Dimension B (mm)	48	68	90	110	130	160
Dimension H (mm)	38-52	45-75	52-85	65-95	95-180	110-200
Dimension D (mm)	M10x40	M12x60	M16X70	M20X80	M24X150	M30X170
Dimension h (mm)	25	31	35	46	65	75
Dimension h1 (mm)	35	55	63	72	140	160
Dimension d (mm)	22	28	34	48	60	89
Dimension s (mm)	3	4.5	6	8	10	18

## Triple wheel hanger with anti-kick wheel

Type 23.R92



Zinc plated steel triple wheel hanger, straight movement, with anti-kick pressure bearing in the middle, no tilting in the track.



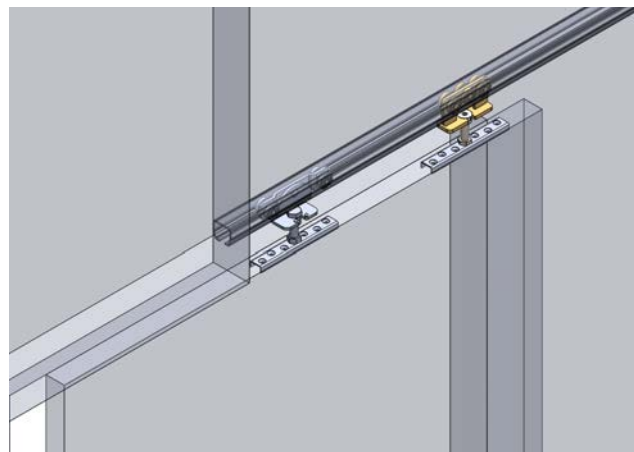
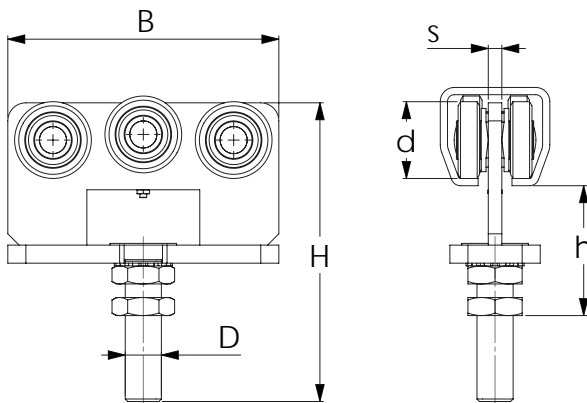
NIKO Profile No.	23.000	24.000
Wheel hanger No.	23.R92	24.R92
Load per wheel hanger (SWL kg)	100	200
Dimension B (mm)	90	116
Dimension H (mm)	113	134
Dimension D (mm)	M12X60	M16X70
Dimension h (mm)	47-72	58-80
Dimension d (mm)	28	34
Dimension s (mm)	6	8.5

Sliding Door Fittings

## Triple wheel hanger with anti-kick wheel

Type .R92N

Zinc plated steel triple wheel hanger, straight movement, with anti-kick bearing in the middle, no tilting in the track.



NIKO Profile No.	23.000	24.000	25.000
Wheel hanger No.	23.R92N	24.R92N	25.R92N
Load per wheel hanger (SWL kg)	100	200	300
Dimension B (mm)	90	120	160
Dimension H (mm)	114	132	175
Dimension D (mm)	M12X60	M16X70	M20X80
Dimension h (mm)	47-72	58-78	75-95
Dimension d (mm)	28	34	48
Dimension s (mm)	5	6	8



**Heavy Duty Sliding Door Fittings**  
We reserve the right for technical amendments without obligation.  
The product pictures and drawings depicted in this catalogue do not always reflect all available sizes.

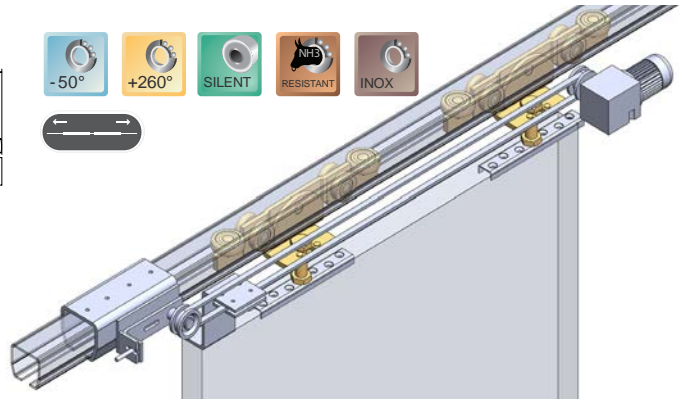
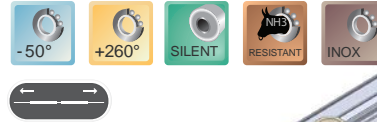
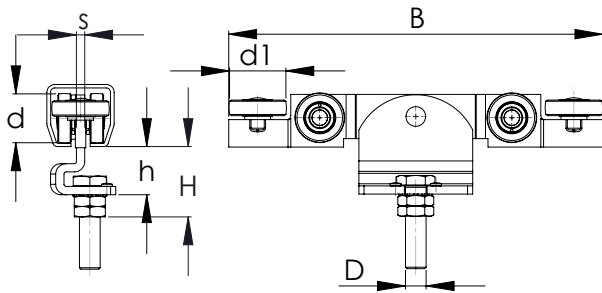
Ver. January 2017

[www.niko.eu.com](http://www.niko.eu.com)

## Wheel hanger for electric operation

Type .R93

Zinc plated steel double wheel hanger with side guide rollers, straight movement, with pendulum hinge and adjustable screw with nut (for electrically operated doors).

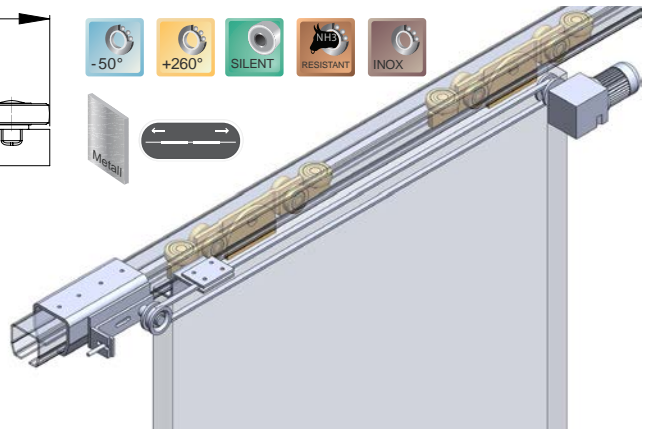
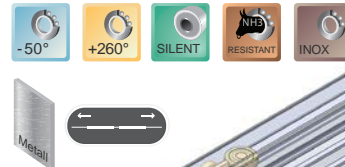
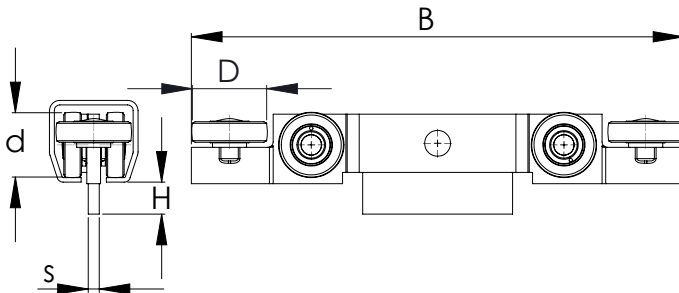


NIKO Profile No.	23.000	24.000	25.000	26.000	27.000
Wheel hanger No.	23.R93	24.R93	25.R93	26.R93	27.R93
Load per wheel hanger (SWL kg)	70	120	240	475	700
Dimension B (mm)	216	280	360	385	480
Dimension H (mm)	45-75	52-85	65-95	95-180	110-200
Dimension D (mm)	M12X60	M16X70	M20X80	M24X150	M30X170
Dimension h (mm)	31	36	46	65	75
Dimension d1 (mm)	34	40	55	68	73
Dimension d (mm)	28	34	48	60	89
Dimension s (mm)	4.5	6	8	10	20

## Weld-on wheel hanger for electric operation

Type .R97

Zinc plated steel double wheel hanger with side guide rollers, straight movement, with pendulum hinge and plain welding plate (for electrically operated doors).



NIKO Profile No.	23.000	24.000	25.000	26.000	27.000
Wheel hanger No.	23.R97	24.R97	25.R97	26.R97	27.R97
Load per wheel hanger (SWL kg)	70	120	240	475	700
Dimension B (mm)	216	280	360	385	480
Dimension H (mm)	14	19	21	22	29
Dimension D (mm)	34	40	55	68	73
Dimension d (mm)	28	34	48	60	89
Dimension s (mm)	4.5	6	8	10	20

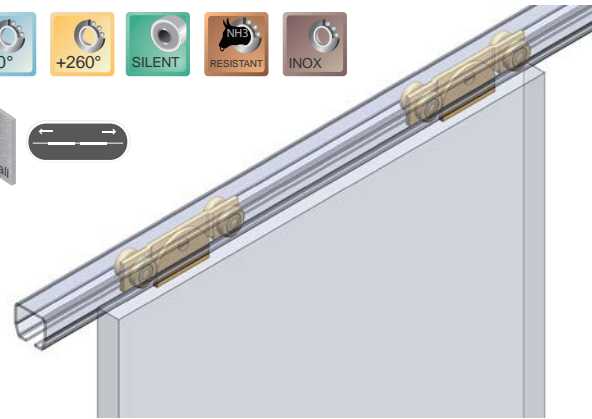
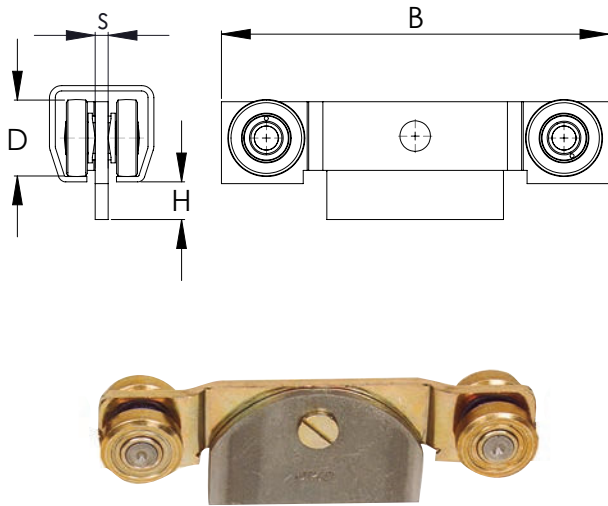


## Double weld-on wheel hanger for welding

Type .R94



Zinc plated steel double wheel hanger, straight movement, with pendulum hinge and plain welding plate.

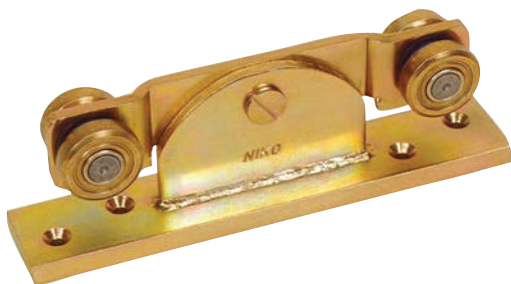
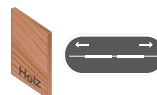
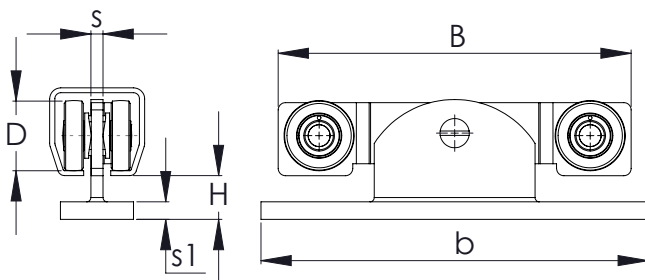


NIKO Profile No.	21.000	23.000	24.000	25.000	26.000	27.000
Wheel hanger No.	21.R94	23.R94	24.R94	25.R94	26.R94	27.R94
Load per wheel hanger (SWL kg)	50	100	200	300	600	1000
Dimension B (mm)	107	135	182	242	234	310
Dimension H (mm)	12	14	19	21	22	29
Dimension D (mm)	22	28	34	48	60	89
Dimension s (mm)	3	4.5	6	8	10	20

## Double wheel hanger with bracket

Type .R59

Zinc plated steel double wheel hanger, straight movement, with pendulum hinge and welded plate with holes for front mounting on door leaf.

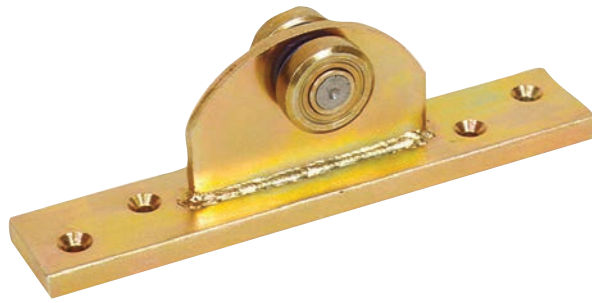
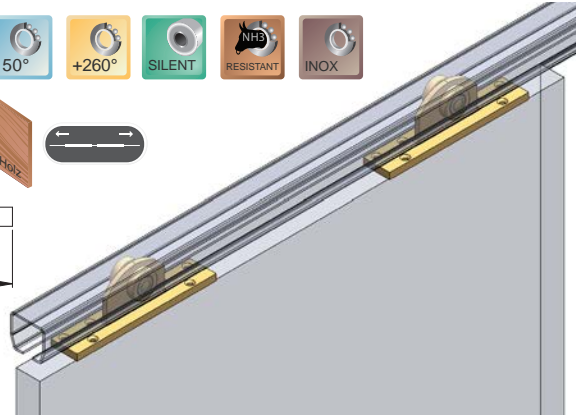
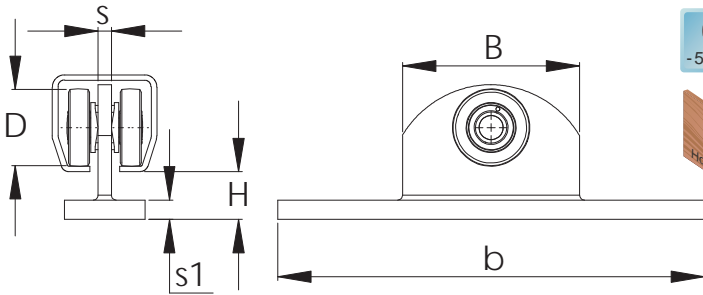


NIKO Profile No.	21.000	23.000	24.000	25.000
Wheel hanger No.	21.R59	23.R59	24.R59	25.R59
Load per wheel hanger (SWL kg)	50	100	200	300
Dimension B (mm)	107	135	182	242
Dimension H (mm)	16	25	30	36
Dimension D (mm)	22	28	34	48
Dimension b (mm)	100	160	210	265
Dimension s (mm)	3	4.5	6	8
Dimension s1 (mm)	4	10	10	12

## Single wheel hanger with bracket

Type .R58

Zinc plated steel single wheel hanger, straight movement, with pendulum hinge and welded plate with holes for front mounting on door leaf. For single wheel hangers we always recommend the use of track end stop type .X01.

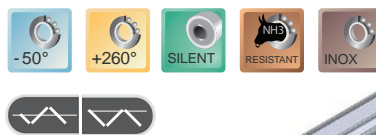
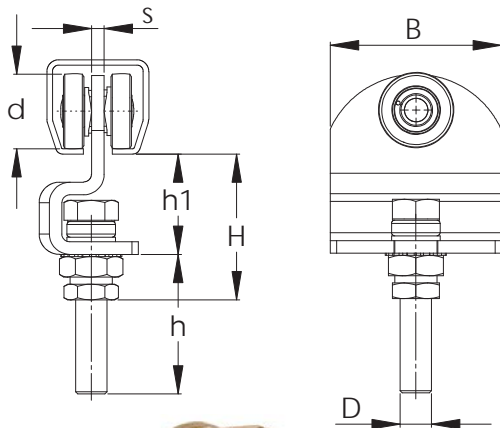


NIKO Profile No.	21.000	23.000	24.000	25.000
Wheel hanger No.	21.R58	23.R58	24.R58	25.R58
Load per wheel hanger (SWL kg)	30	65	100	200
Dimension B (mm)	48	68	90	110
Dimension H (mm)	16	23	30	36
Dimension D (mm)	22	28	34	48
Dimension b (mm)	100	160	210	265
Dimension s (mm)	3	4.5	6	8
Dimension s1 (mm)	4	10	10	12

## Single wheel hanger (for folding doors)

Type .R85

Zinc plated steel single wheel hanger, with adjustable screw with nut for folding/ harmonica doors. For single wheel hangers we always recommend the use of track end stop type .X01.



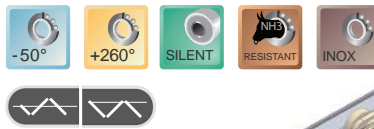
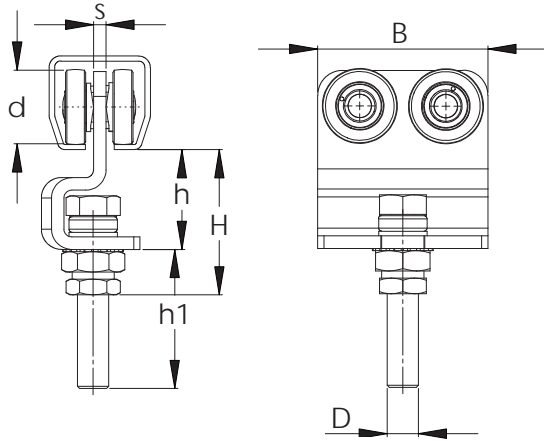
NIKO Profile No.	21.000	23.000	24.000	25.000
Wheel hanger No.	21.R85	23.R85	24.R85	25.R85
Load per wheel hanger (SWL kg)	30	65	100	200
Dimension B (mm)	50	68	90	110
Dimension H (mm)	48-65	57-82	75-96	85-123
Dimension D (mm)	M10X55	M12X70	M16X80	M20X110
Dimension h (mm)	43	56	58	84
Dimension h1 (mm)	32	38	51	67
Dimension d (mm)	22	28	34	48
Dimension s (mm)	3	4.5	6	8

## Double wheel hanger (for folding doors)

Type .R86



Zinc plated steel double wheel hanger, with adjustable screw with nut for folding/ harmonica doors.

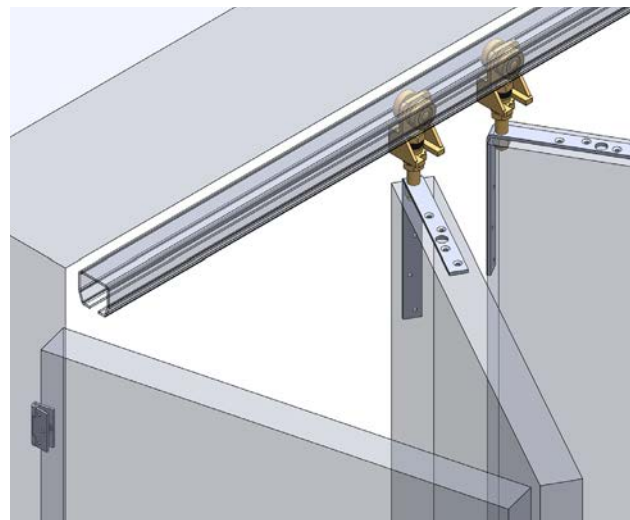
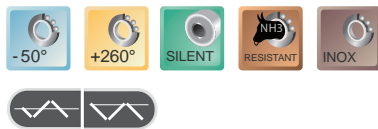
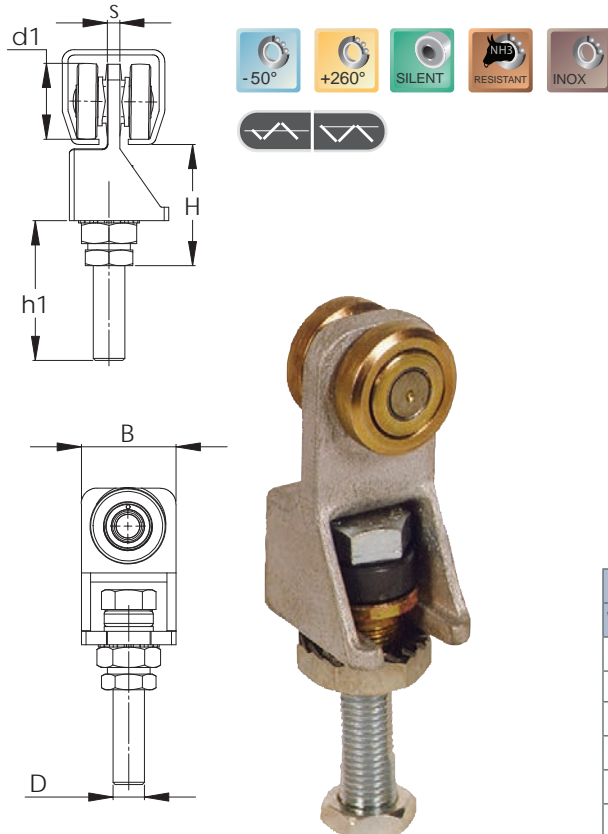


NIKO Profile No.	21.000	23.000	24.000	25.000	26.000
Wheel hanger No.	21.R86	23.R86	24.R86	25.R86	26.R86
Load per wheel hanger (SWL kg)	45	85	150	300	600
Dimension B (mm)	50	68	90	110	150
Dimension H (mm)	48-65	57-82	75-96	85-123	107-220
Dimension D (mm)	M10X55	M12X70	M16X80	M20X110	M24X180
Dimension h (mm)	32	38	51	67	76
Dimension h1 (mm)	43	56	58	84	155
Dimension d (mm)	22	28	34	48	60
Dimension s (mm)	3	4.5	6	8	15

## Primary wheel hanger (for folding doors)

Type .R50

Zinc plated steel single narrow wheel hanger, with rotating screw for folding/ harmonica doors. For single wheel hangers we always recommend the use of track end stop type .X01.



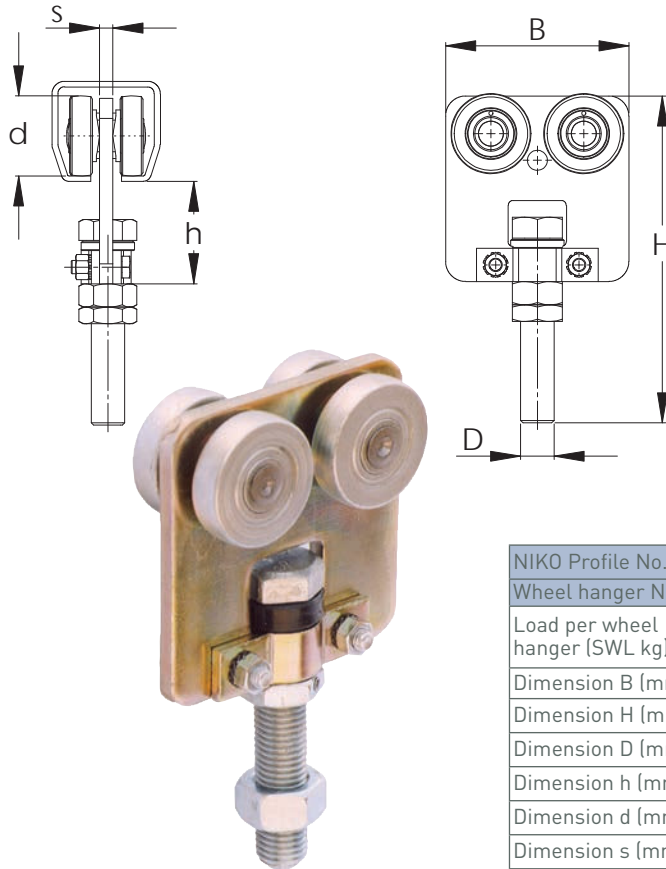
NIKO Profile No.	23.000	24.000	25.000
Wheel hanger No.	23.R50	24.R50	25.R50
Load per wheel hanger (SWL kg)	65	100	200
Dimension B (mm)	38	39	60
Dimension H (mm)	53-76	65-87	73-94
Dimension D (mm)	M12X70	M16X80	M20X110
Dimension h1 (mm)	55	60	84
Dimension d1 (mm)	28	34	48
Dimension s (mm)	6	9	12



## Double wheel hanger with rotating screw (for folding doors)

Type .R51

Zinc plated steel double wheel hanger, with rotating screw (short) with pivot bearing.

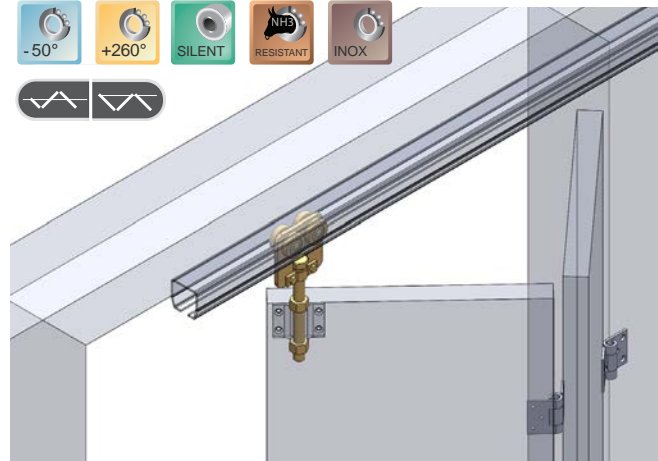
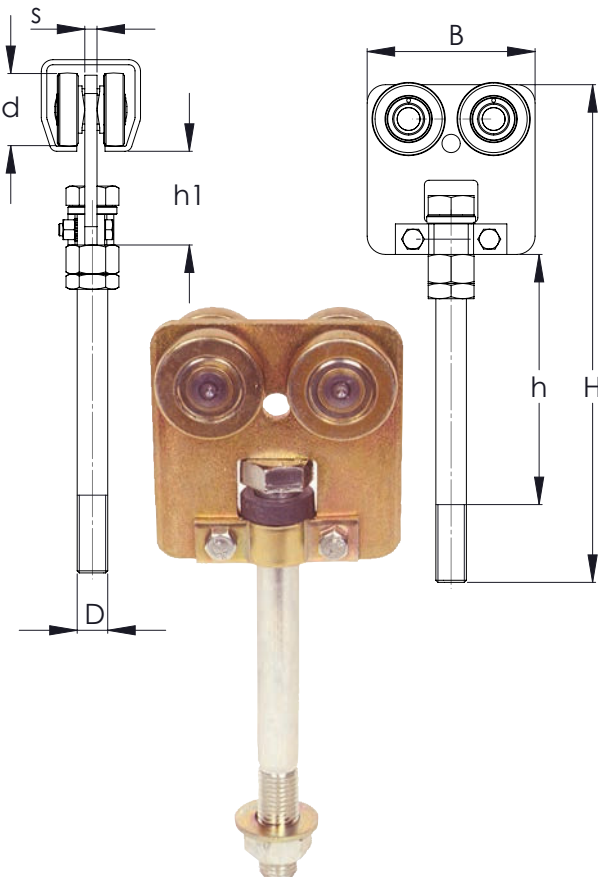


NIKO Profile No.	23.000	24.000	25.000	26.000	27.000
Wheel hanger No.	23.R51	24.R51	25.R51	26.R51	27.R51
Load per wheel hanger (SWL kg)	85	150	300	600	1000
Dimension B (mm)	68	90	110	150	200
Dimension H (mm)	122	145	195	285	360
Dimension D (mm)	M12	M16	M20	M24	M30
Dimension h (mm)	45	49	61	78	109
Dimension d (mm)	28	34	48	60	89
Dimension s (mm)	4.5	6	8	12	15

## Double wheel hanger with rotating pin (for folding doors)

Type .R52

Zinc plated steel double wheel hanger, with rotating screw (long) with pivot bearing.



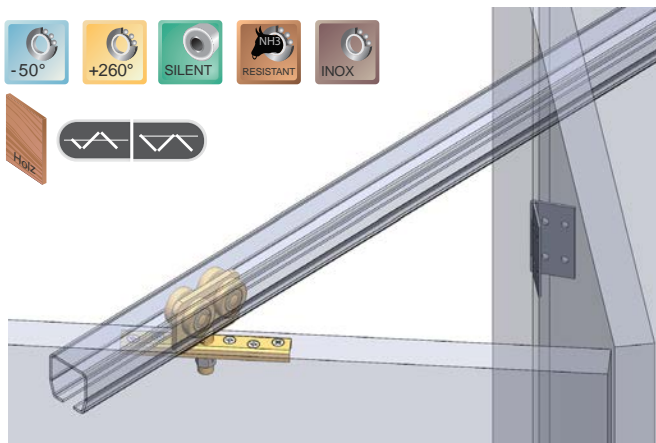
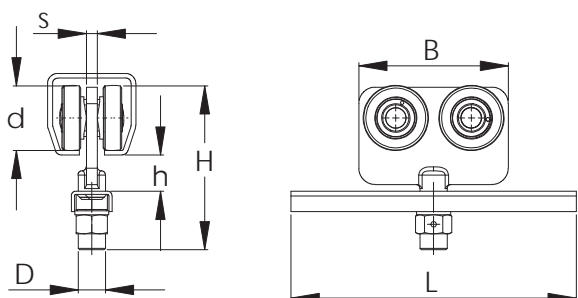
NIKO Profile No.	23.000	24.000	25.000	26.000
Wheel hanger No.	23.R52	24.R52	25.R52	26.R52
Load per wheel hanger (SWL kg)	85	150	300	600
Dimension B (mm)	68	90	110	150
Dimension H (mm)	225	255	320	350
Dimension D (mm)	M12	M16	M20	M24
Dimension h (mm)	115	125	145	140
Dimension h1 (mm)	45	49	61	109
Dimension d (mm)	28	34	48	60
Dimension s (mm)	4.5	6	8	12

## Double wheel hanger with rotating bracket (for folding doors)

Type .R62



Zinc plated steel double wheel hanger, with rotating bracket for front mounting on door leaf.

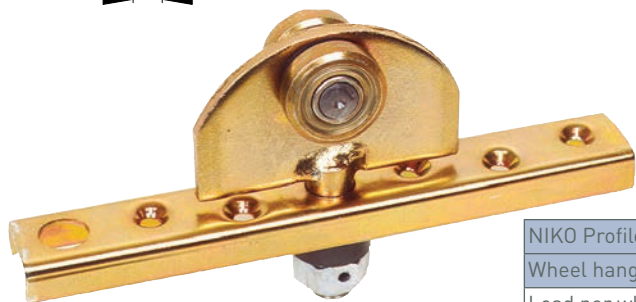
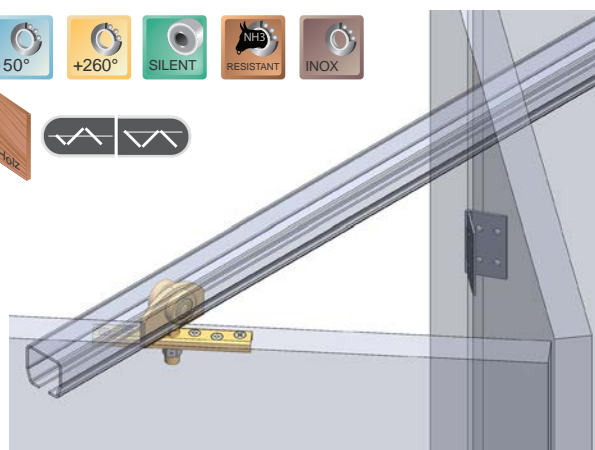
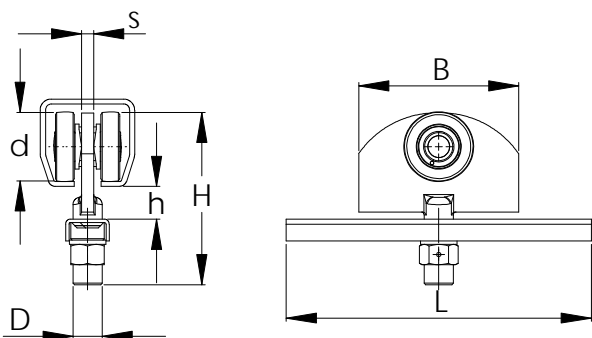


NIKO Profile No.	21.000	23.000	24.000	25.000	26.000
Wheel hanger No.	21.R62	23.R62	24.R62	25.R62	26.R62
Load per wheel hanger (SWL kg)	45	85	150	300	600
Dimension B (mm)	50	68	90	110	150
Dimension H (mm)	56	78	104	129	174
Dimension D (mm)	M10	M12	M16	M20	M24
Dimension L (mm)	100	160	210	264	350
Dimension h (mm)	12	14	20	22	22
Dimension d (mm)	22	28	34	48	60
Dimension s (mm)	3	4.5	6	8	12

## Single wheel hanger with rotating bracket (for folding doors)

Type .R63

Zinc plated steel single wheel hanger, with rotating bracket for front mounting on door leaf. For single wheel hangers we always recommend the use of track end stop type .X01.



NIKO Profile No.	21.000	23.000	24.000	25.000
Wheel hanger No.	21.R63	23.R63	24.R63	25.R63
Load per wheel hanger (SWL kg)	30	65	100	200
Dimension B (mm)	50	68	90	110
Dimension H (mm)	56	78	104	129
Dimension D (mm)	M10	M12	M16	M20
Dimension L (mm)	100	160	210	264
Dimension h (mm)	12	12	20	22
Dimension d (mm)	22	28	34	48
Dimension s (mm)	3	4.5	6	8



Heavy Duty Sliding Door Fittings

We reserve the right for technical amendments without obligation. The product pictures and drawings depicted in this catalogue do not always reflect all available sizes.

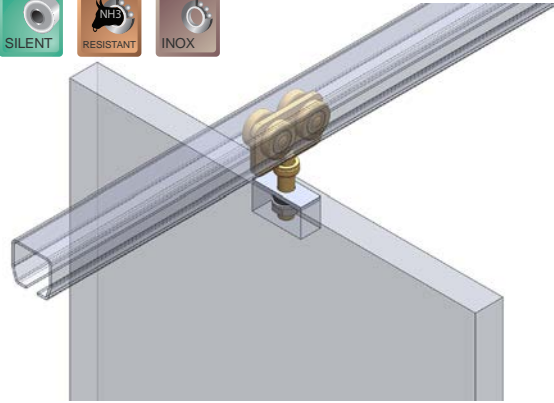
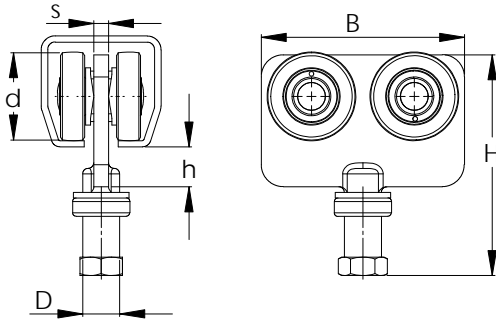
Ver. January 2017

www.niko.eu.com

## Double wheel hanger with threaded bolt (for folding doors)

Type .R64

Zinc plated steel double wheel hanger, with welded threaded screw and pivot bearing.

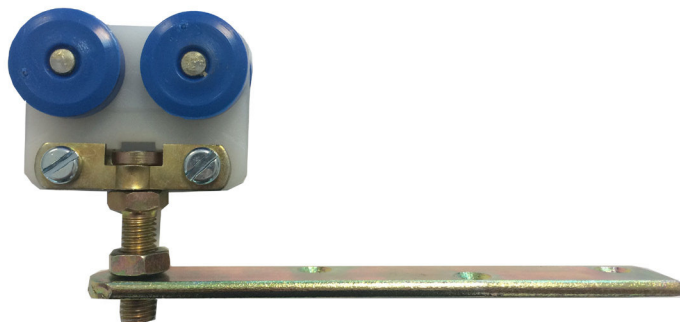
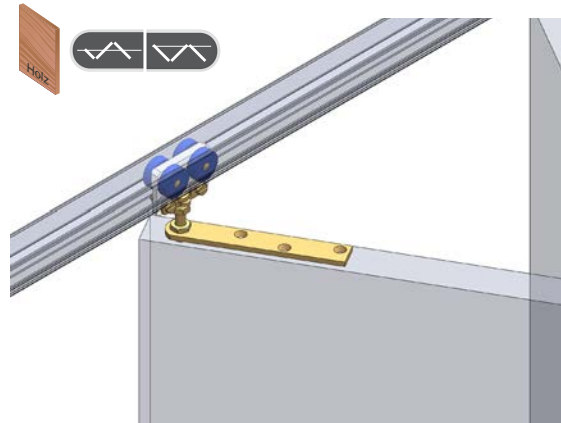
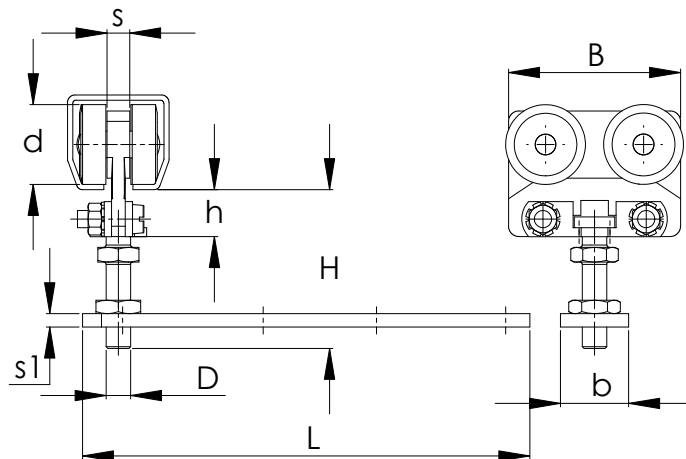


NIKO Profile No.	21.000	23.000	24.000	25.000	26.000
Wheel hanger No.	21.R64	23.R64	24.R64	25.R64	26.R64
Load per wheel hanger (SWL kg)	45	85	150	300	600
Dimension B (mm)	50	68	90	110	150
Dimension H (mm)	56	77	105	129	174
Dimension D (mm)	M10	M12	M16	M20	M24
Dimension h (mm)	12	14	20	22	22
Dimension d (mm)	22	28	34	48	60
Dimension s (mm)	3	4.5	6	8	12

## Wheel hanger for folding wardrobe doors

Type .R42

Wheel hanger for folding wardrobe doors, with plastic body/bearings and steel bracket with adjustable rotating screw.



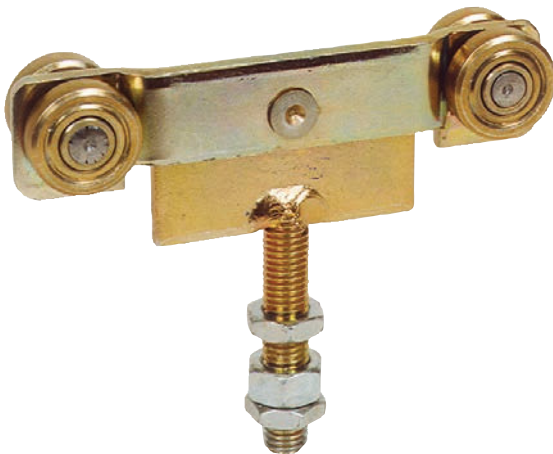
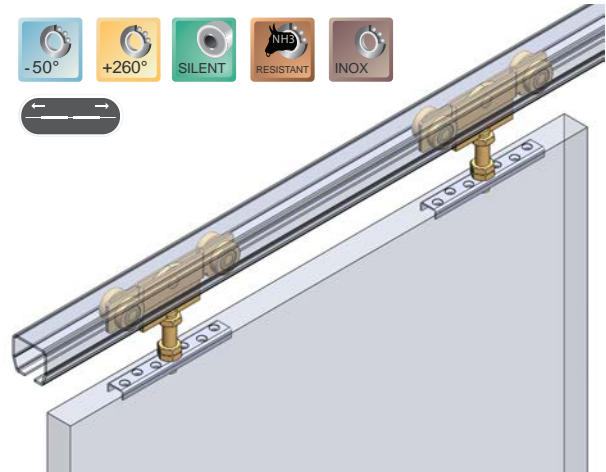
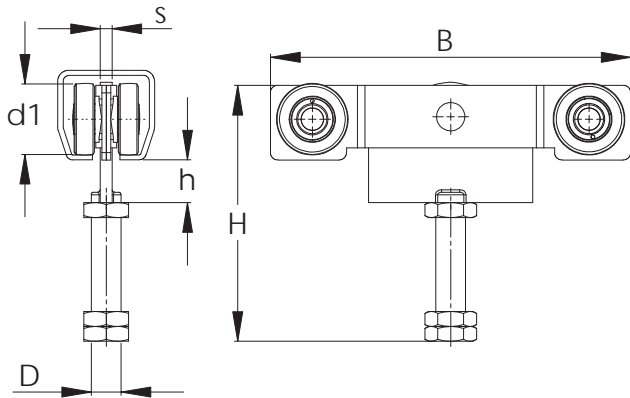
NIKO Profile No.	21.000
Wheel hanger No.	21.R42
Load per wheel hanger (SWL kg)	30
Dimension B (mm)	50
Dimension H (mm)	43
Dimension L (mm)	130
Dimension D (mm)	M8
Dimension b (mm)	20
Dimension h (mm)	13
Dimension d (mm)	23
Dimension s (mm)	7
Dimension s1 (mm)	4

## Double wheel hanger with threaded bolt

Type .R65



Zinc plated steel double wheel hanger, straight movement, with pendulum hinge and welded screw.

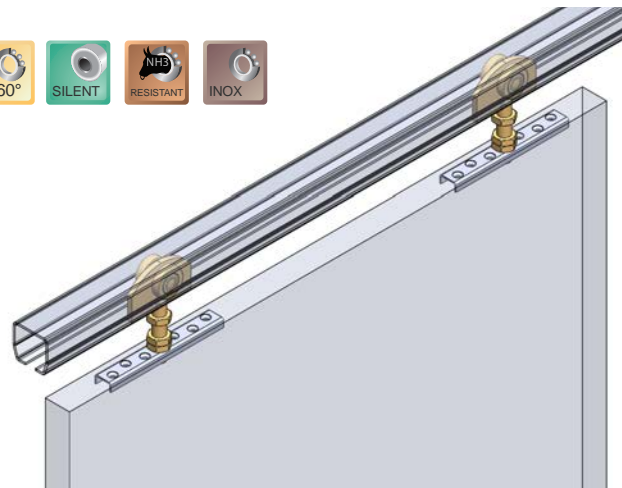
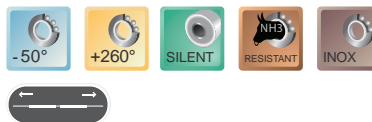
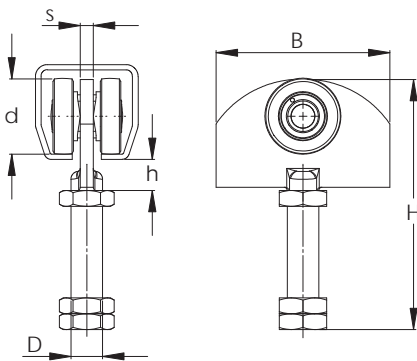


NIKO Profile No.	21.000	23.000	24.000	25.000	26.000
Wheel hanger No.	21.R65	23.R65	24.R65	25.R65	26.R65
Load per wheel hanger (SWL kg)	50	100	200	300	600
Dimension B (mm)	107	135	182	242	235
Dimension H (mm)	83	108	140	165	220
Dimension D (mm)	M10	M12	M16	M20	M24
Dimension h (mm)	13	15	20	21	21
Dimension d1 (mm)	22	28	34	48	60
Dimension s (mm)	3	4.5	6	8	10

## Single wheel hanger with threaded bolt

Type .R66

Zinc plated steel single wheel hanger, straight movement, with pendulum hinge and welded screw. For single wheel hangers we always recommend the use of track end stop type .X01.



NIKO Profile No.	21.000	23.000	24.000	25.000	26.000
Wheel hanger No.	21.R66	23.R66	24.R66	25.R66	26.R66
Load per wheel hanger (SWL kg)	30	65	100	200	400
Dimension B (mm)	50	68	90	110	130
Dimension H (mm)	82	103	140	165	220
Dimension D (mm)	M10	M12	M16	M20	M24
Dimension h (mm)	12	12	20	22	22
Dimension d (mm)	22	28	34	48	60
Dimension s (mm)	3	4.5	6	8	10

## Double wheel hanger with plate

Type .R55

Zinc plated steel, double wheel hanger with plate, wide type.

NIKO Profile No.	21.000	23.000	24.000
Wheel hanger No.	21.R55	23.R55	24.R55
Load per wheel hanger (SWL kg)	45	85	150
	with punched holes	with punched holes	without punched holes
Dimension B (mm)	50	68	90
Dimension H (mm)	118	131	136
Dimension D (mm)	22	28	34
Dimension s (mm)	3	4.5	6
Dimension d (mm)	4.2	5.2	-

24.R55                      21./23.R55

## Single wheel hanger for curtains

Type .R45

Zinc plated steel, single wheel hanger with narrow, short plate for curtains. For single wheel hangers we always recommend the use of track end stop type .X01.

NIKO Profile No.	21.000	23.000
Wheel hanger No.	21.R45	23.R45
Load per wheel hanger (SWL kg)	30	65
Dimension B (mm)	25	30
Dimension H (mm)	59	57
Dimension D (mm)	22	28
Dimension h (mm)	29	27
Dimension d (mm)	6.2	7.1
Dimension s (mm)	5	5

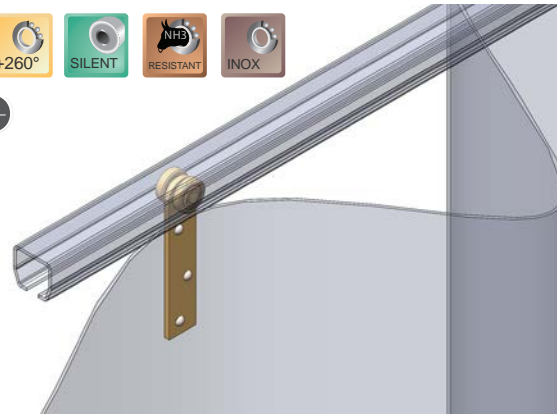
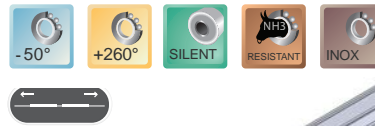
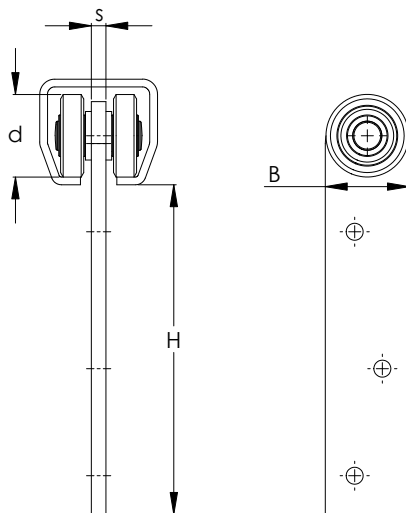


## Single wheel hanger with plate

Type .R54



Zinc plated steel, single wheel hanger with narrow, long plate for curtains. For single wheel hangers we always recommend the use of track end stop type .X01.

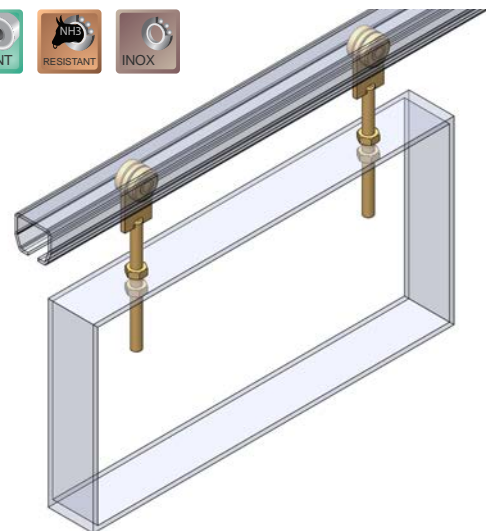
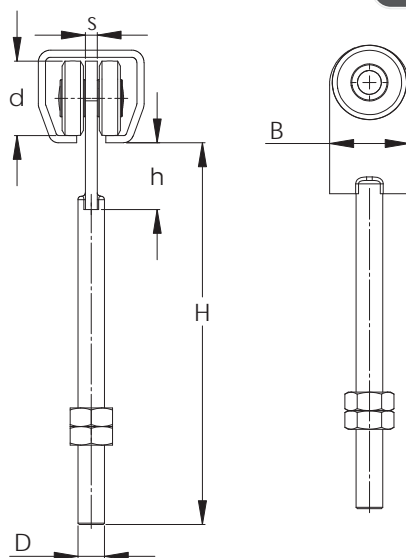


NIKO Profile No.	21.000	23.000	24.000
Wheel hanger No.	21.R54	23.R54	24.R54
Load per wheel hanger [SWL kg]	30	65	100
Dimension B (mm)	20	30	35
Dimension H (mm)	148	160	135
Dimension D (mm)	22	28	34
Dimension s (mm)	3	4	6

## Narrow single hanger with threaded bolt

Type .R57

Zinc plated steel, single wheel hanger with short plate and long screw for curtains. For single wheel hangers we always recommend the use of track end stop type .X01



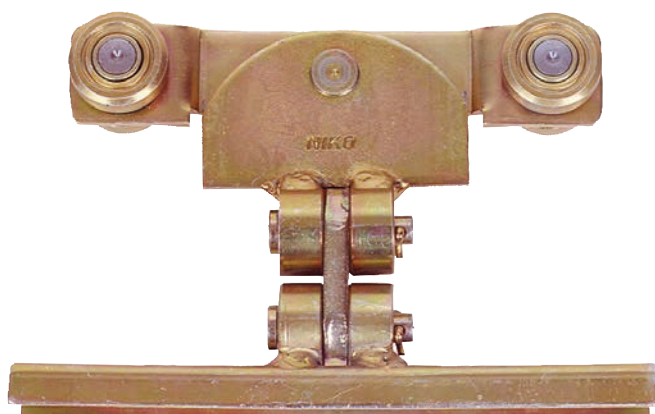
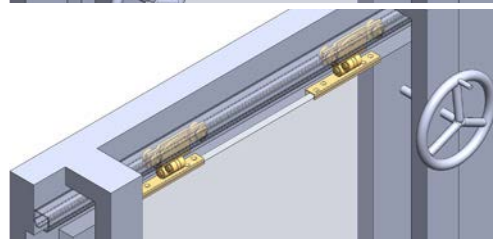
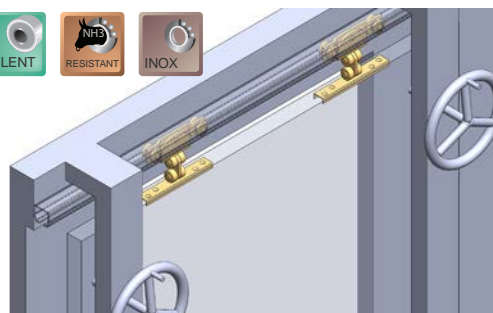
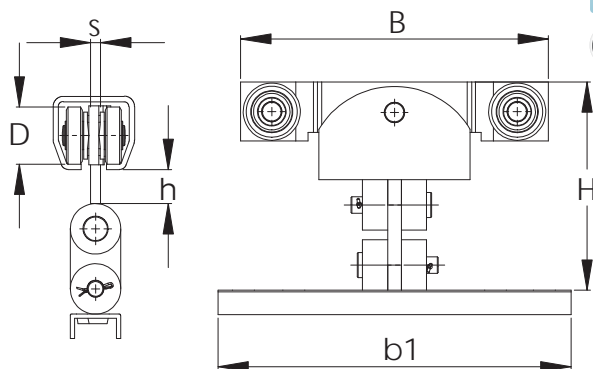
NIKO Profile No.	21.000	23.000
Wheel hanger No.	21.R57	23.R57
Load per wheel hanger [SWL kg]	30	65
Dimension B (mm)	25	30
Dimension H (mm)	109	150
Dimension D (mm)	M8	M10
Dimension h (mm)	24	25
Dimension d (mm)	22	28
Dimension s (mm)	5	6



## Double wheel hanger with articulation

Type .R69

Wheel hanger with pendulum hinge and articulation joint for tight-closing doors.

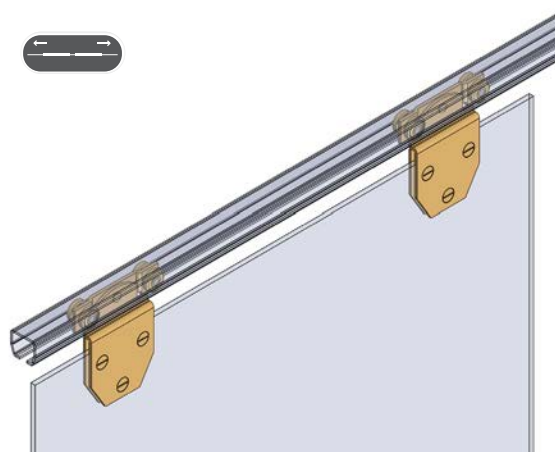
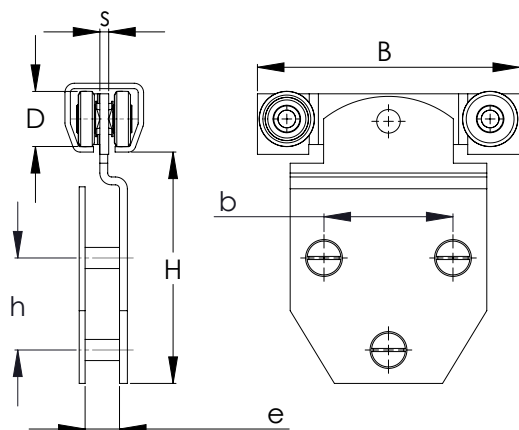


NIKO Profile No.	23.000	24.000	25.000
Wheel hanger No.	23.R69	24.R69	25.R69
Load per wheel hanger (SWL kg)	85	150	300
Dimension B (mm)	135	182	242
Dimension H (mm)	105	124	152
Dimension D (mm)	28	34	48
Dimension b1 (mm)	160	210	265
Dimension h (mm)	14	19	21
Dimension s (mm)	4.5	6	8

## Wheel hanger for glass panels

Type 23.R40

Zinc plated steel double wheel hanger for glass panels with pendulum hinge. Steel clamping plate with three countersunk screws.



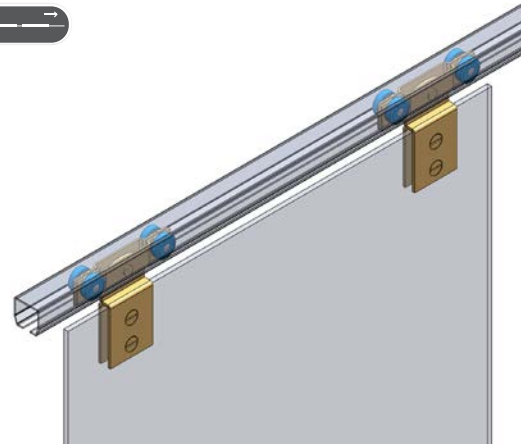
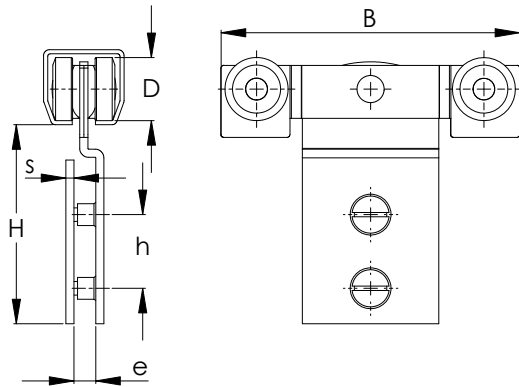
NIKO Profile No.	23.000
Wheel hanger for glass panels No.	23.R40
Load per wheel hanger	85
Dimension B (mm)	136
Dimension H (mm)	114
Dimension h (mm)	40
Dimension b (mm)	60
Dimension D (mm)	28
Dimension e (max) (mm)	15
Dimension s (mm)	4

## Wheel hanger for glass panels

Type 21.R40



Zinc plated steel, double wheel hanger for glass panels with pendulum hinge. Steel upright clamping plate with two countersunk screws.

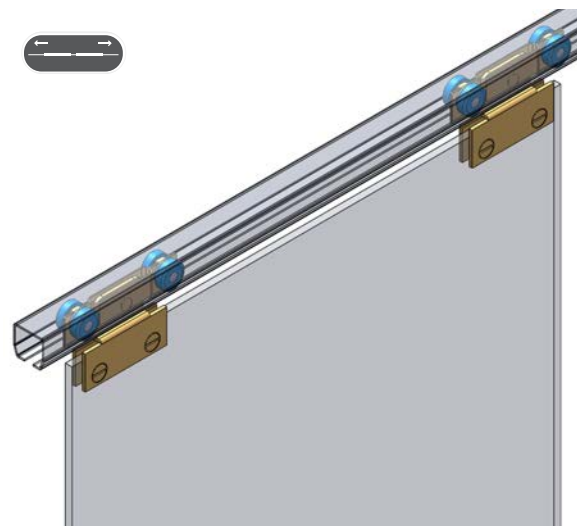
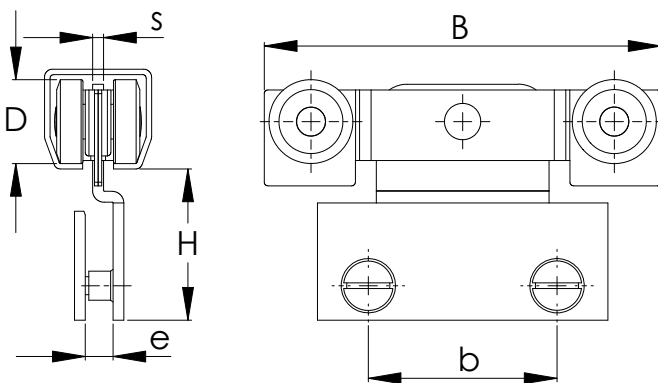


NIKO Profile No.	21.000
Wheel hanger for glass panels No.	21.R40
Load per wheel hanger	37.5
Dimension B (mm)	110
Dimension H (mm)	73
Dimension h (mm)	26
Dimension D (mm)	23
Dimension e (mm)	8
Dimension s (mm)	3

## Wheel hanger for glass panels

Type 21.R41

Zinc plated steel, double wheel hanger for glass panels with pendulum hinge. Steel horizontal clamping plate with two countersunk screws.



NIKO Profile No.	21.000
Wheel hanger für Glastüren No.	21.R41
Load per wheel hanger No.	37.5
Dimension B (mm)	110
Dimension H (mm)	41
Dimension D (mm)	23
Dimension b (mm)	50
Dimension e (mm)	8
Dimension s (mm)	3

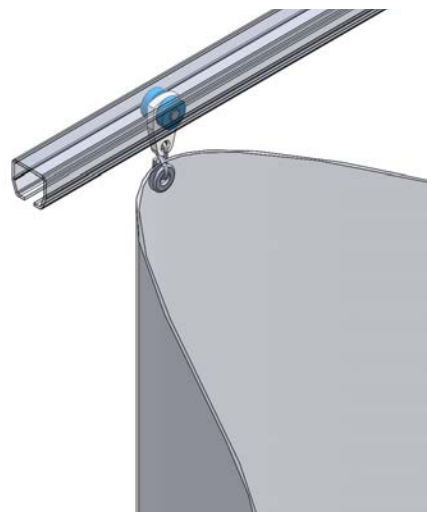
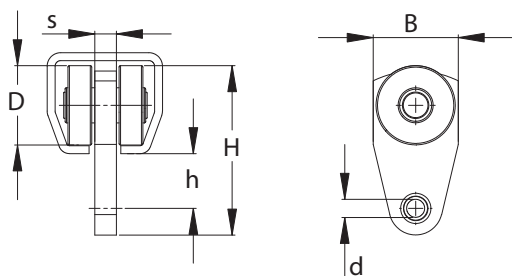


**Heavy Duty Sliding Door Fittings**  
We reserve the right for technical amendments without obligation.  
The product pictures and drawings depicted in this catalogue do not always reflect all available sizes.

Ver. January 2017

[www.niko.eu.com](http://www.niko.eu.com)

Plastic single wheel hanger with plastic wheels, reinforced hanging loop.

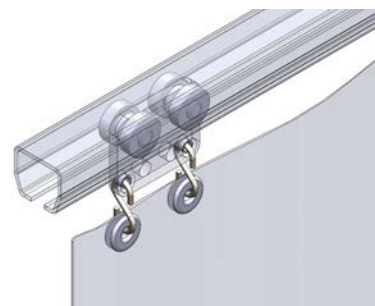
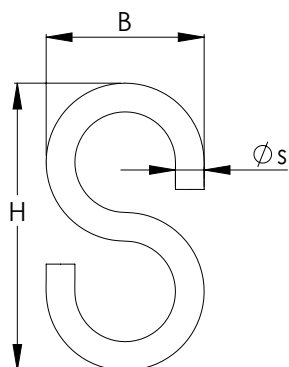


NIKO Profile No.	21.000	23.000
Wheel hanger for curtains No.	21.R31	23.R31
Wheel hanger for curtains No.	21.R31B	-
Load per Wheel Hanger	10	20
Dimension B (mm)	25	30
Dimension H (mm)	49	57
Dimension D (mm)	23	28
Dimension h (mm)	17	19
Dimension d (mm)	5	6
Dimension s (mm)	6	8

## Suspension hooks

## Type .X34

Suspension hooks for wheel hangers for curtains



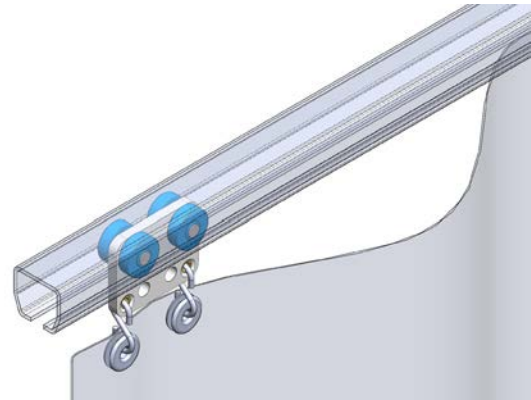
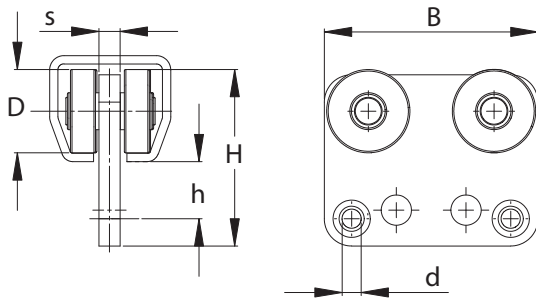
NIKO Profile No.	21.000	23.000
Suspension hook No.	21.X34	23.X34
Dimension B (mm)	18	25
Dimension H (mm)	40	50
Dimension s (mm)	4	5

## Primary wheel hanger for curtains

Type .R32



Primary wheel hanger for curtains with reinforced hanging loops



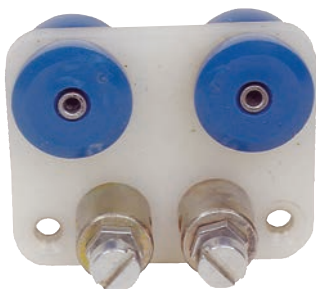
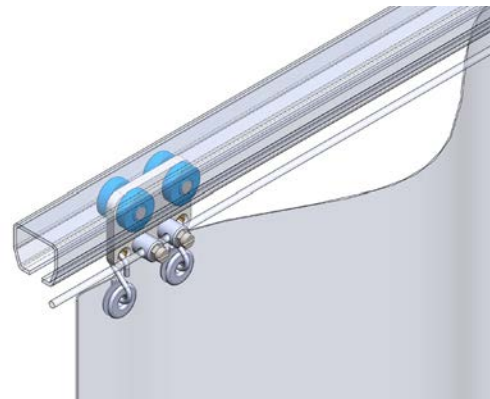
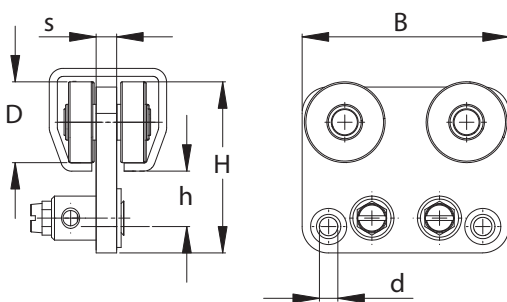
NIKO Profile No.	21.000	23.000
Wheel hanger for curtains No.	21.R32	23.R32
Load per Wheel Hanger	10	20
Dimension B (mm)	60	70
Dimension H (mm)	48	56
Dimension D (mm)	23	28
Dimension h (mm)	17	19
Dimension d (max) (mm)	5	6
Dimension s (mm)	6	8

Sliding Door Fittings

## Primary wheel hanger for curtains with clamping attachment for wire rope

Type .R33

Plastic primary wheel hanger for curtains with reinforced hanging loops and wire rope clamps for setting the distance of the wheel hangers.



NIKO Profile No.	21.000	23.000
Wheel hanger for curtains No.	21.R33	23.R33
Load per Wheel Hanger	10	20
Dimension B (mm)	60	70
Dimension H (mm)	48	56
Dimension D (mm)	23	28
Dimension h (mm)	17	19
Dimension d (max) (mm)	5	6
Dimension s (mm)	6	8



**Heavy Duty Sliding Door Fittings**  
We reserve the right for technical amendments without obligation.  
The product pictures and drawings depicted in this catalogue do not always reflect all available sizes.

Ver. January 2017

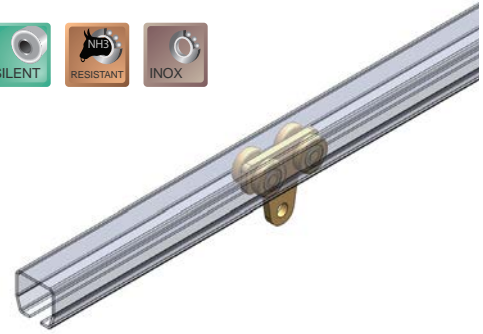
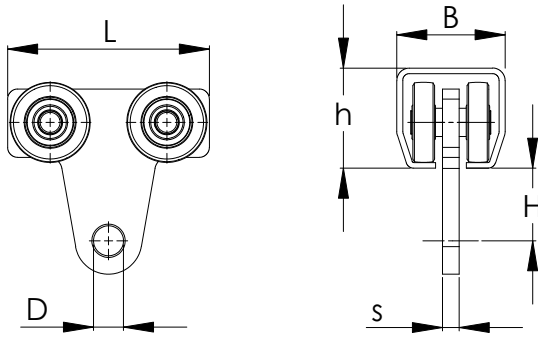
[www.niko.eu.com](http://www.niko.eu.com)

53

## 4-wheel trolley with hole

Type .T10

Zinc plated steel, 4-wheel trolley with hole.

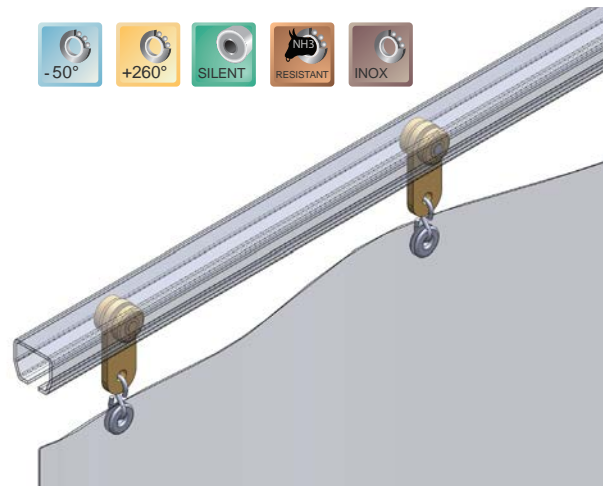
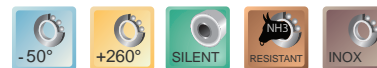
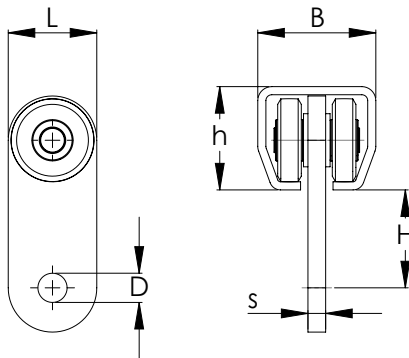


NIKO Profile No.	21.000	23.000	24.000	25.000	26.000	27.000
Trolley No.	21.T10	23.T10	24.T10	25.T10	26.T10	27.T10
Load per trolley (SWL kg)	20	40	80	200	400	800
Dimension B (mm)	30	40	48.5	65	80	90
Dimension H (mm)	20.5	32	40	42	47	74
Dimension L (mm)	60	80	100	120	145	210
Dimension D (mm)	8	10	14	18	22	26
Dimension h (mm)	28	35	43.5	60	75	110
Dimension s (mm)	4.5	6	8	10	12	15

## 2-wheel trolley with hole

Type .T11

Zinc plated steel, 2-wheel trolley with hole. For 2-wheel trolleys we always recommend the use of track end stop type X01.



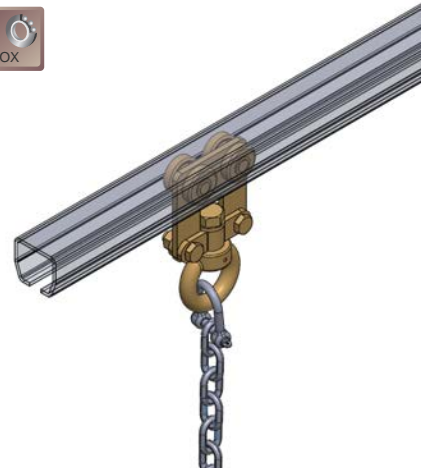
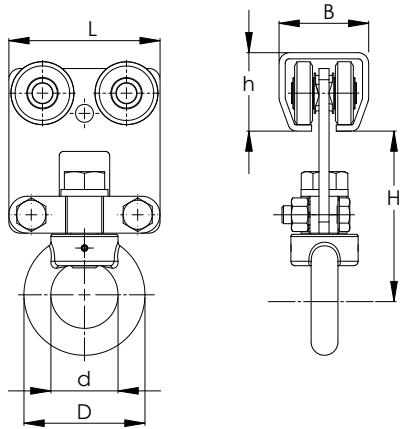
NIKO Profile No.	21.000	23.000	24.000	25.000	26.000	27.000
Trolley No.	21.T11	23.T11	24.T11	25.T11	26.T11	27.T11
Load per trolley (SWL kg)	10	20	40	100	200	400
Dimension B (mm)	30	40	48.5	65	80	90
Dimension H (mm)	20	32	39	42	47	73
Dimension L (mm)	25	30	40	50	70	100
Dimension D (mm)	6	10	14	18	22	26
Dimension h (mm)	28	35	43.5	60	75	110
Dimension s (mm)	5	6	8	10	12	15

## 4-wheel trolley with a rotating ring nut DIN 582

Type .T40



Zinc plated steel, 4-wheel trolley with rotating eye nut DIN 582.

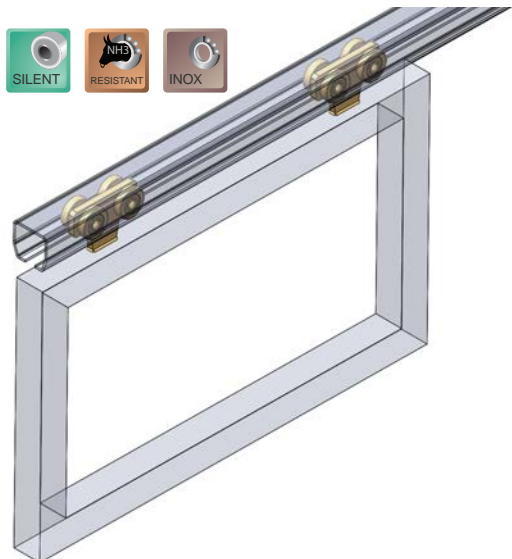
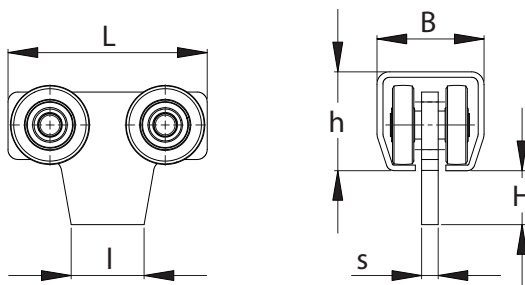


NIKO Profile No.	23.000	24.000	25.000	26.000	27.000
Trolley No.	23.T40	24.T40	25.T40	26.T40	27.T40
Load per trolley (SWL kg)	40	80	200	400	800
Dimension B (mm)	40	48.5	65	80	90
Dimension H (mm)	74	82	98	126	165
Dimension L (mm)	68	90	110	150	200
Dimension D (mm)	54	63	72	90	108
Dimension h (mm)	35	43.5	60	75	110
Dimension d (mm)	30	35	40	50	60

## 4-Wheel trolley for welding

Type .T00

Zinc plated steel, 4-wheel trolley for welding



NIKO Profile No.	21.000	23.000	24.000	25.000	26.000	27.000
Trolley No.	21.T00	23.T00	24.T00	25.T00	26.T00	27.T00
Load per trolley (SWL kg)	20	40	80	200	400	800
Dimension B (mm)	30	40	48.5	65	80	90
Dimension H (mm)	24	25	35	35	43.5	48
Dimension L (mm)	60	80	100	120	145	210
Dimension h (mm)	28	35	43.5	60	75	110
Dimension l (mm)	19	30	35	45	55	105
Dimension s (mm)	4.5	6	8	10	12	15



Heavy Duty Sliding Door Fittings

We reserve the right for technical amendments without obligation.  
The product pictures and drawings depicted in this catalogue do not always reflect all available sizes.

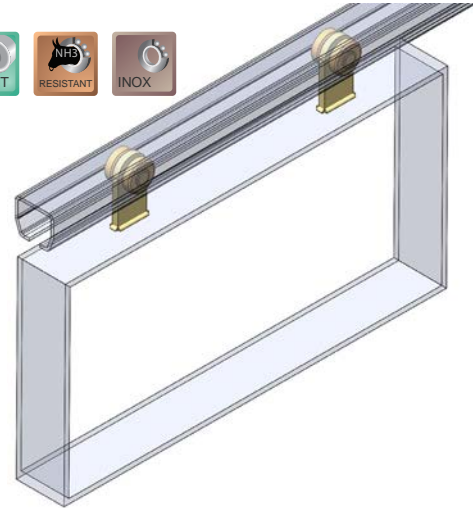
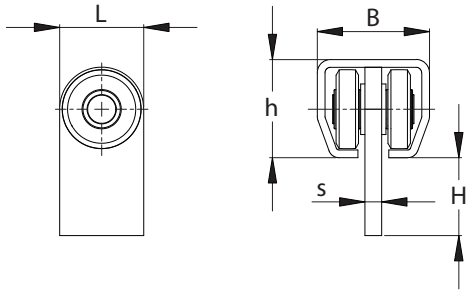
Ver. January 2017

www.niko.eu.com

## 2-Wheel trolley for welding

Type .T01

Zinc plated steel, 2-wheel trolley for welding. For 2-wheel trolleys we always recommend the use of track end stop type .X01.

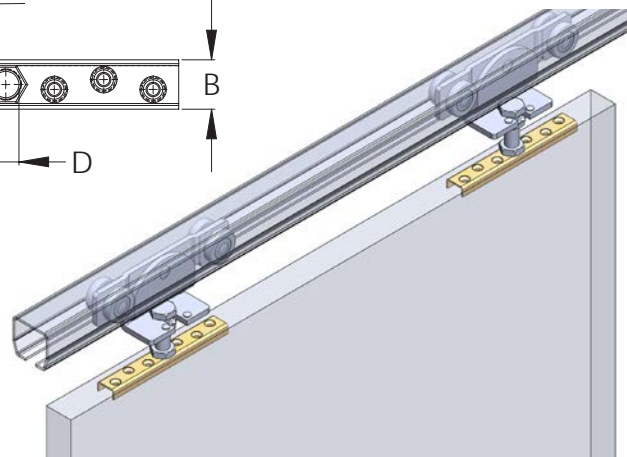
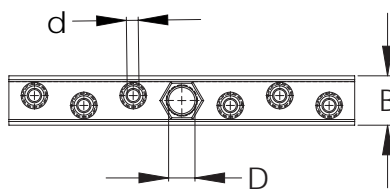
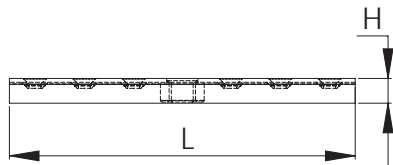


NIKO Profile No.	21.000	23.000	24.000	25.000	26.000	27.000
Trolley No.	21.T01	23.T01	24.T01	25.T01	26.T01	27.T01
Load per trolley (SWL kg)	10	20	40	100	200	400
Dimension B (mm)	30	40	48.5	65	80	90
Dimension H (mm)	24	25	32	34	40	49
Dimension L (mm)	25	30	40	50	70	100
Dimension h (mm)	28	35	43.5	60	75	110
Dimension s (mm)	5	6	8	10	12	15

## Bracket for wooden constructions

Type .F00

Bracket for assembly on top of door panel, inclusive screw connection for various NIKO wheel hangers.



23-27.F00



21.F00

NIKO Profile No.	21.000	23.000	24.000	25.000	26.000	27.000
Bracket No.	21.F00	23.F00	24.F00	25.F00	26.F00	27.F00
Dimension B (mm)	22	25	30	38	50	60
Dimension H (mm)	8	11	15	20	25	30
Dimension L (mm)	100	160	210	264	350	500
Dimension D (mm)	M10	M12	M16	M20	M24	M30
Dimension d (mm)	5.3	5.3	6.5	7.5	11	11



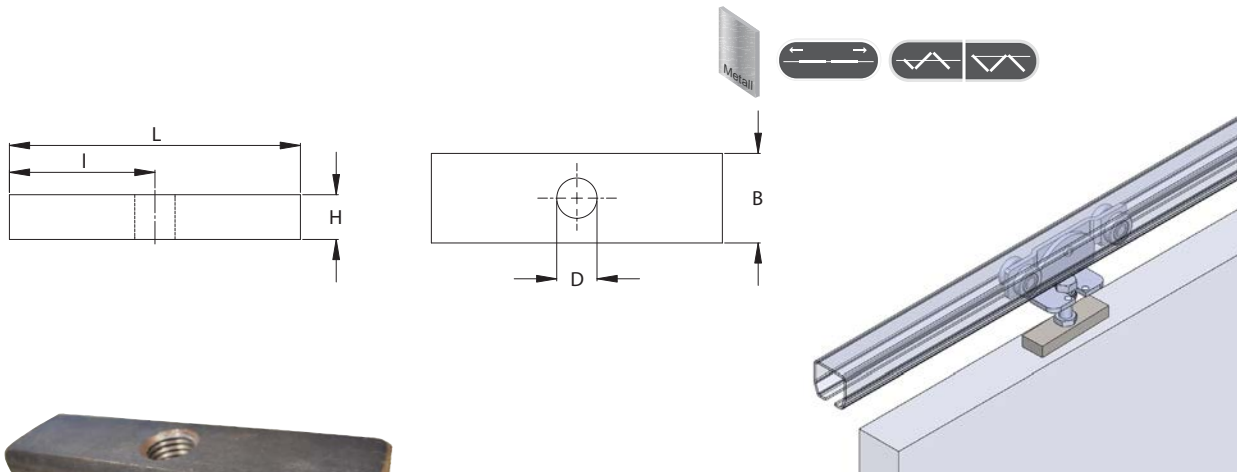


## Bracket for steel constructions (thread in centre)

Type .F03



Plain bracket for welding with central screw connection.



21-25.F03



26-27.F03

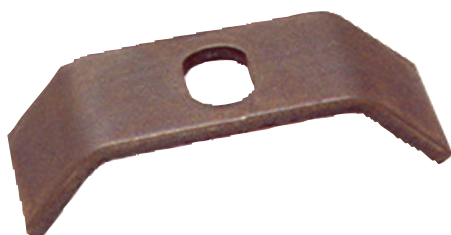
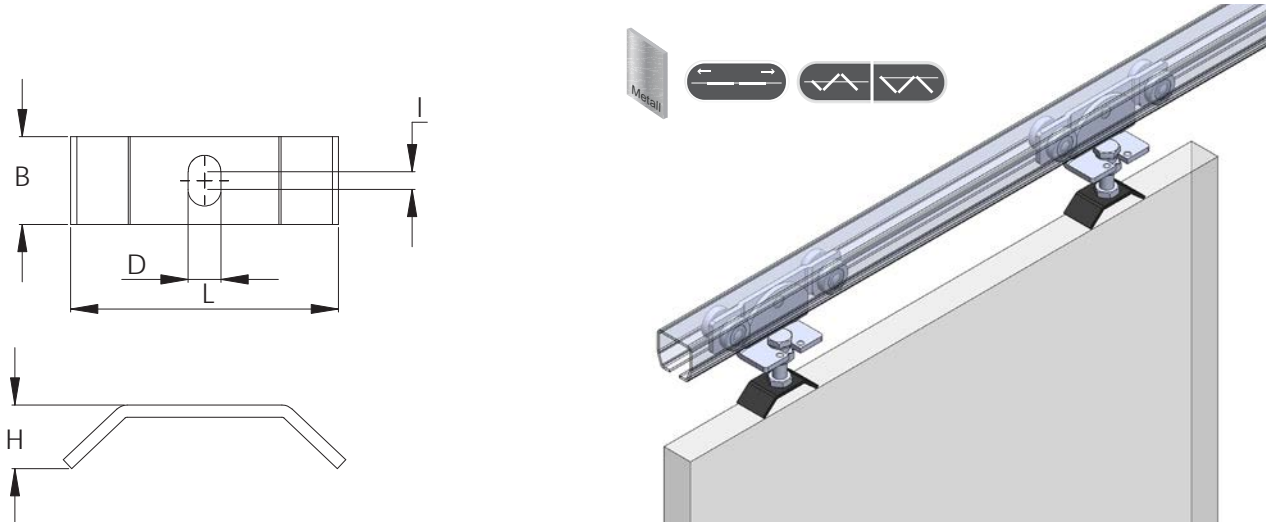
NIKO Profile No.	21.000	23.000	24.000	25.000	26.000	27.000
Bracket No.	21.F03	23.F03	24.F03	25.F03	26.F03	27.F03
Dimension B (mm)	20	30	30	40	50	60
Dimension H (mm)	8	10	15	20	25	30
Dimension L (mm)	100	100	120	140	150	180
Dimension D (mm)	M10	M12	M16	M20	M24	M30
Dimension l (mm)	50	50	60	70	75	90

Sliding Door Fittings

## Bracket for welding

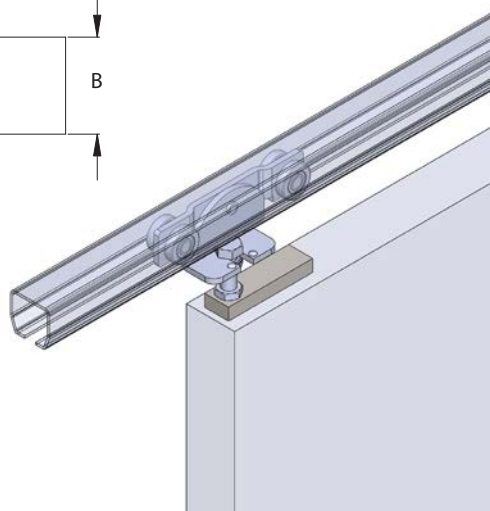
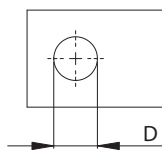
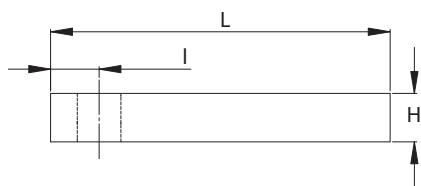
Type .F05

Plain bracket for welding with hole.



NIKO Profile No.	21.000	23.000	24.000
Bracket No.	21.F05	23.F05	24.F05
Dimension B (mm)	29	34	50
Dimension H (mm)	16	17	21
Dimension D (mm)	11	13	17
Dimension L (mm)	85	88	89
Dimension l (mm)	6	8	8.5

Plain bracket for welding with end screw connection.



21-25.F06



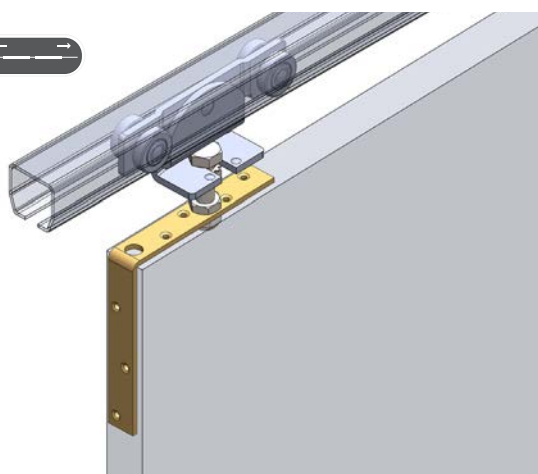
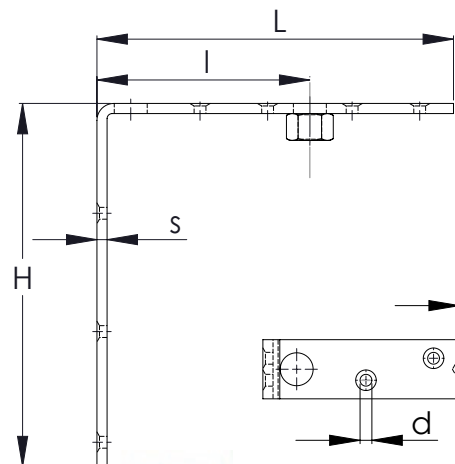
26-27.F06

NIKO Profile No.	21.000	23.000	24.000	25.000	26.000	27.000
Bracket No.	21.F06	23.F06	24.F06	25.F06	26.F06	27.F06
Dimension B (mm)	20	30	30	40	50	60
Dimension H (mm)	8	10	15	20	25	30
Dimension L (mm)	100	100	120	140	150	180
Dimension D (mm)	M10	M12	M16	M20	M24	M30
Dimension l (mm)	10	12	15	20	20	25

## Top corner bracket

## Type .F95

Zinc plated steel top corner bracket with central screw connection.



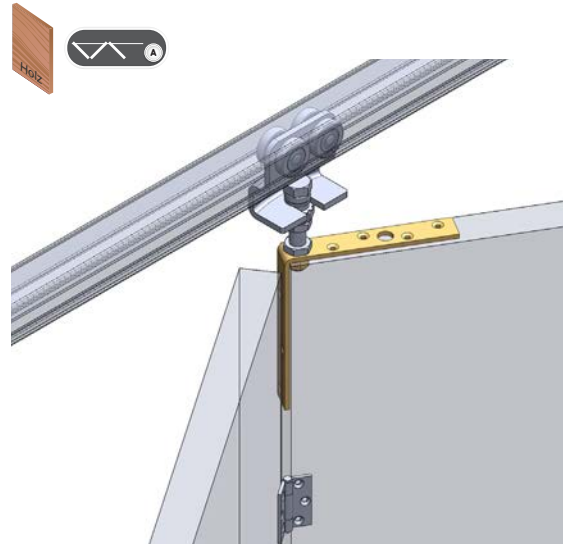
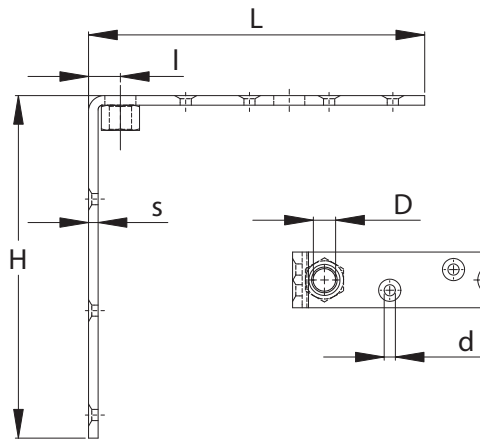
NIKO Profile No.	21.000	23.000	24.000	25.000	26.000
Top corner bracket No.	21.F95	23.F95	24.F95	25.F95	26.F95
Dimension B (mm)	20	30	35	40	50
Dimension H (mm)	125	160	215	255	310
Dimension L (mm)	125	160	205	255	320
Dimension D (mm)	M10	M12	M16	M20	M24
Dimension l (mm)	70	80	120	155	160
Dimension d (mm)	5	5.3	7	8.4	10.5
Dimension s (mm)	4	5	6	8	10

## Top corner bracket Type "A"

Type .F94



Zinc plated steel top corner bracket with internal end screw connection.

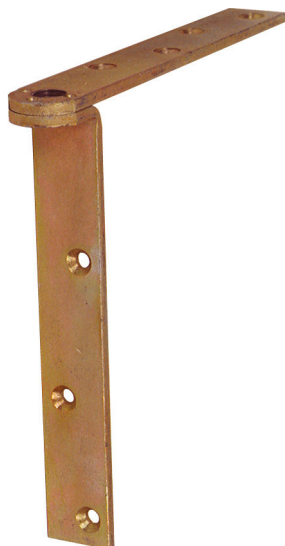
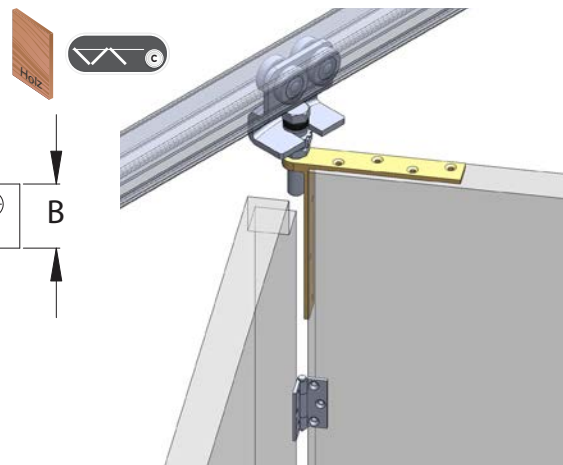
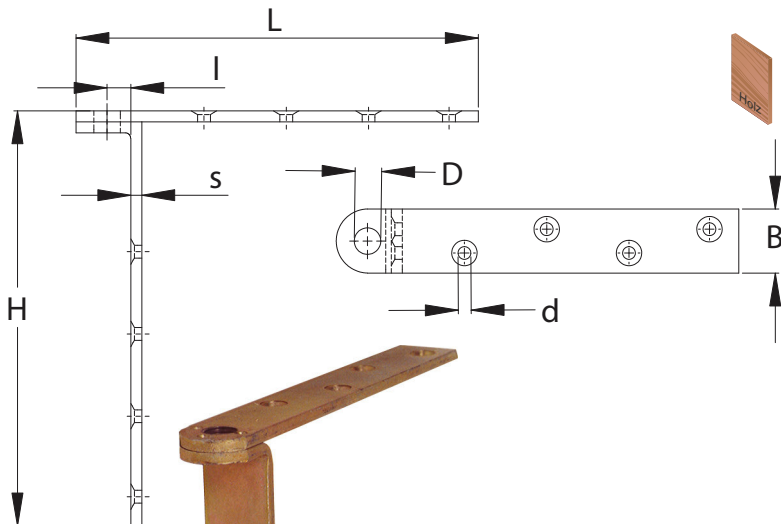


NIKO Profile No.	21.000	23.000	24.000	25.000	26.000
Top corner bracket No.	21.F94	23.F94	24.F94	25.F94	26.F94
Dimension B (mm)	20	30	35	40	50
Dimension H (mm)	125	160	215	255	310
Dimension L (mm)	125	160	205	255	320
Dimension D (mm)	M10	M12	M16	M20	M24
Dimension l (mm)	15	20	20	30	44
Dimension d (mm)	5	5.3	7	8.4	10.5
Dimension s (mm)	4	5	6	8	10

## Top corner bracket Type "C"

Type .F96

Zinc plated steel top corner bracket with external end screw connection.



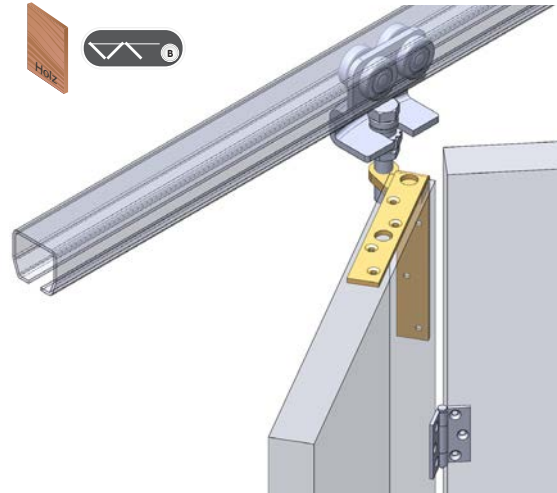
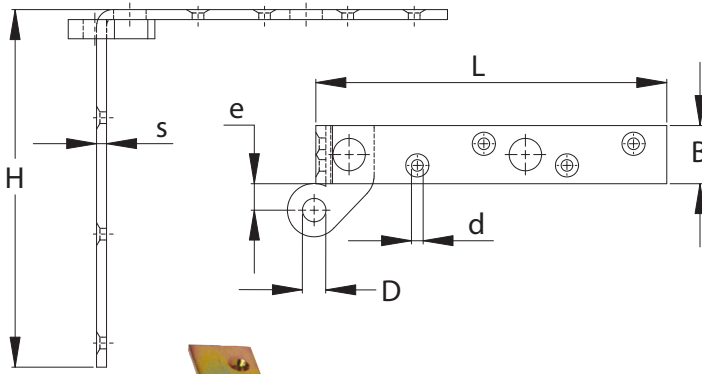
NIKO Profile No.	21.000	23.000	24.000	25.000	26.000
Top corner bracket No.	21.F96	23.F96	24.F96	25.F96	26.F96
Dimension B (mm)	20	30	35	40	50
Dimension H (mm)	140	165	230	265	300
Dimension L (mm)	130	160	220	280	320
Dimension D (mm)	M10	M12	M16	M20	M24
Dimension l (mm)	7	8	13	14	16
Dimension d (mm)	5	5.3	7	8.4	10.5
Dimension s (mm)	4	5	6	8	10



## Top corner bracket "B", right

Type .F97

Zinc plated steel top corner bracket with right hand offset screw connection

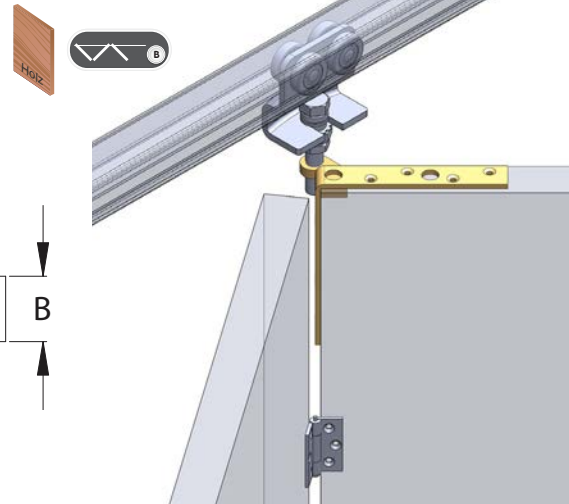
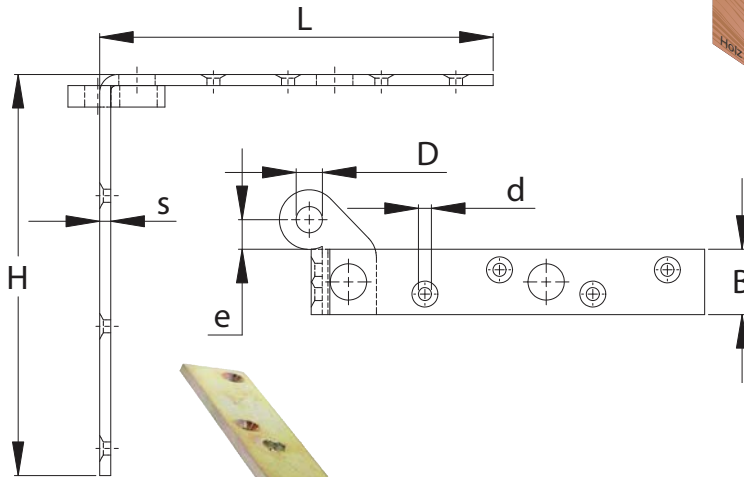


NIKO Profile No.	21.000	23.000	24.000	25.000	26.000
Top corner bracket No.	21.F97	23.F97	24.F97	25.F97	26.F97
Dimension B (mm)	20	30	35	40	50
Dimension H (mm)	125	160	215	260	320
Dimension L (mm)	125	160	205	255	320
Dimension D (mm)	M10	M12	M16	M20	M24
Dimension d (mm)	4.8	5.3	7	8.4	10.5
Dimension e (mm)	12	13	16	35	35
Dimension s (mm)	4	5	6	8	10

## Top corner bracket "B", left

Type .F98

Zinc plated steel top corner bracket with left hand offset screw connection.



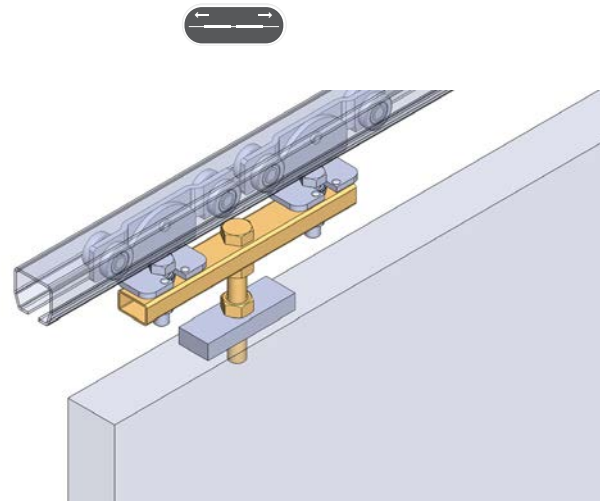
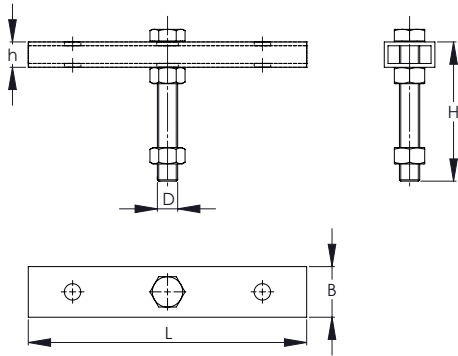
NIKO Profile No.	21.000	23.000	24.000	25.000	26.000
Top corner bracket No.	21.F98	23.F98	24.F98	25.F98	26.F98
Dimension B (mm)	20	30	35	40	50
Dimension H (mm)	125	160	215	260	320
Dimension L (mm)	125	160	205	255	320
Dimension D (mm)	M10	M12	M16	M20	M24
Dimension d (mm)	4.8	5.3	7	8.4	10.5
Dimension e (mm)	12	13	16	35	35
Dimension s (mm)	4	5	6	8	10

## Bracket for two wheel hangers

Type .F19



Zinc plated steel bracket for two wheel hangers (increasing load capacity by factor 1,5). For example - max door weight with two 24.R91 hanger is 400kg, but by using a 24.F19 and four 24.R91 hangers the max door weight increases to 600kg.

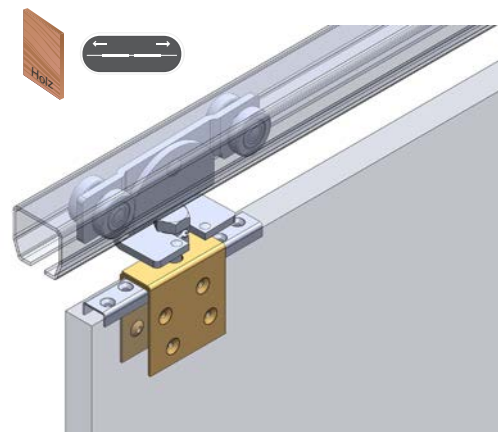
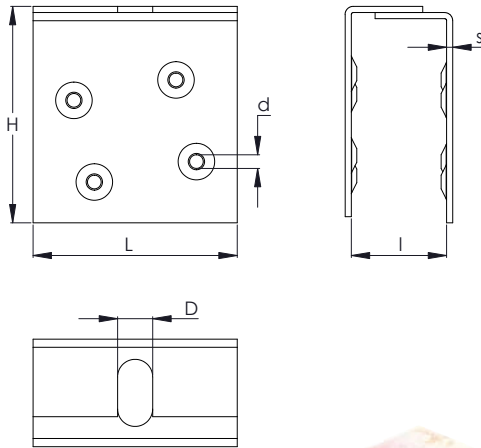


NIKO Profile No.	23.000	24.000	25.000	26.000	27.000
Traverse No.	23.F19	24.F19	25.F19	26.F19	27.F19
Dimension B (mm)	40	50	80	80	100
Dimension H (mm)	110	150	180	200	260
Dimension L (mm)	220	260	360	420	600
Dimension D (mm)	M16	M20	M24	M30	M42
Dimension h (mm)	20	30	45	45	53

## Folding plate, pair

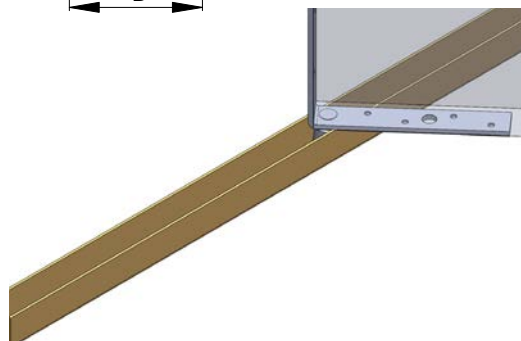
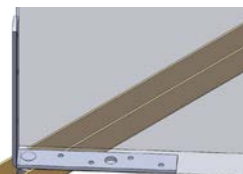
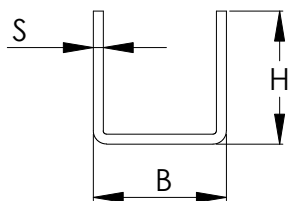
Type .F18

Zinc plated steel, for stabilisation bracket. Screws into the side of the door. Clamps around door fixing bracket (e.g. F00). Supplied as a pair.



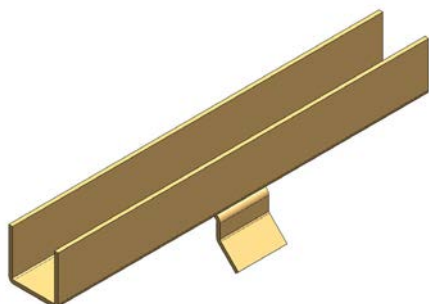
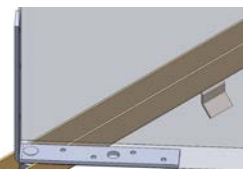
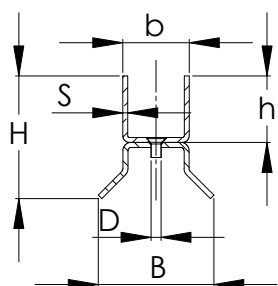
NIKO Profile No.	21.000	23/24.000	25/26.000
Folding plate No.	21.F18	24.F18	26.F18
Dimension H (mm)	83	106	160
Dimension L (mm)	50	100	150
Dimension D (mm)	11	17	26
Dimension d (mm)	5.3	7	8.5
Dimension s (mm)	3	3	5
Dimension l min. (mm)	20	35	55
Dimension l max. (mm)	40	70	110





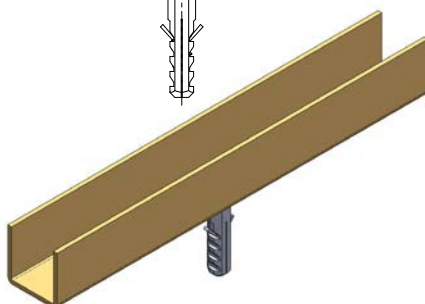
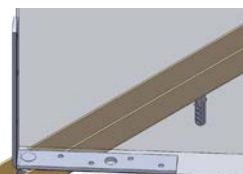
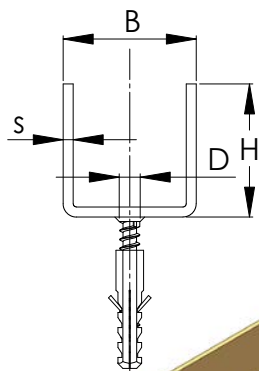
NIKO Profile No.	32.000	33.000	34.000	35.000
Suitable for track No.	21.000	23.000/24.000	24.000/25.000	26.000/27.000
Dimension B (mm)	15	25	40	60
Dimension H (mm)	15	25	40	50
Dimension S (mm)	1	2	3	4

## Guide track with concrete fixing lugs



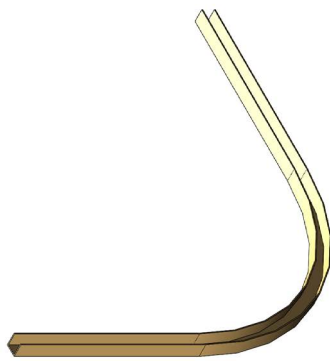
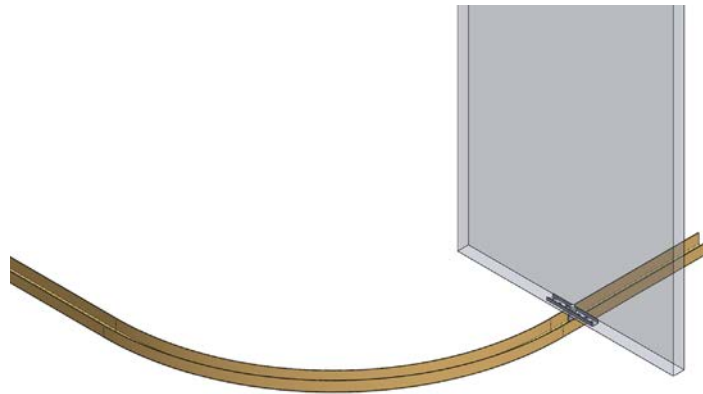
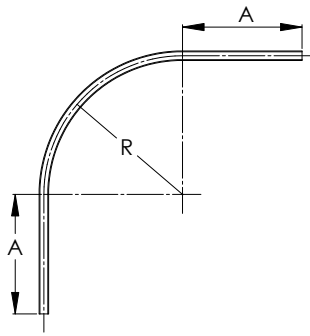
NIKO Profile No.	32.000	33.000	34.000	35.000
Guide track No.	32.006	33.006	34.006	35.006
Suitable for track No.	21.000	23.000/24.000	24.000/25.000	26.000/27.000
Dimension B (mm)	50	50	70	70
Dimension H (mm)	37	47	80	90
Dimension D (mm)	M5	M5	M6	M6
Dimension b (mm)	15	25	40	60
Dimension h (mm)	15	25	40	50
Dimension s (mm)	1	2	3	4

## Guide track with counter sunk screw and nylon plugs



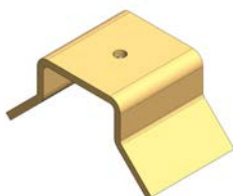
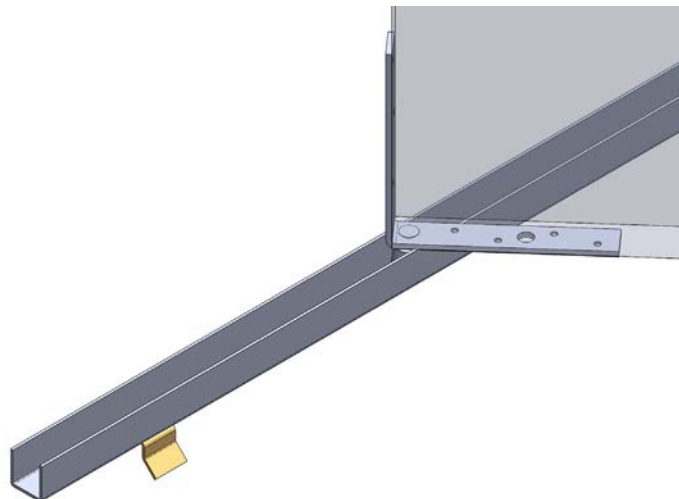
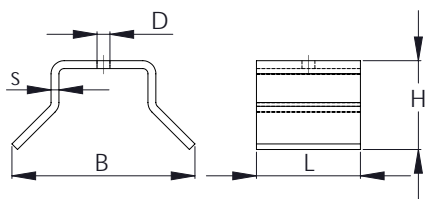
NIKO Profile No.	32.000	33.000	34.000	35.000
Guide track No.	32.002	33.002	34.002	35.002
Suitable for track No.	21.000	23.000/24.000	24.000/25.000	26.000/27.000
Dimension B (mm)	15	25	40	60
Dimension H (mm)	15	25	40	50
Dimension D (mm)	5	5	6	6
Dimension s (mm)	1	2	3	4

## Guide track bend 90°



NIKO Profile No.	32.000	33.000	34.000	35.000	35.000
Guide track bend No.	32.C06	33.C07	34.C06	35.C08	35.C10
Suitable for top bend	21.C06	23.C07	24.C06/ 25.C06	26.C08	27.C10
Dimension R (mm)	650 ± 10	690 ± 15	580 ± 15	770 ± 20	1035 ± 20
Dimension L (mm)	2000	2000	2000	3000	3000
Dimension A (mm)	500	460	500	900	680

## Concrete fixing lug



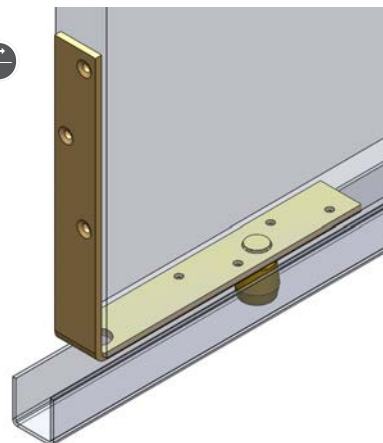
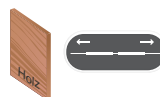
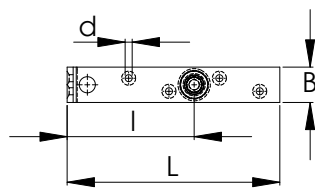
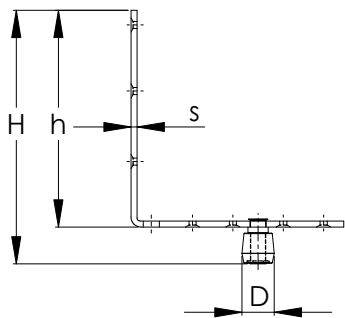
NIKO Profile No.	32.000/33.000	34.000/35.000
Concrete fixing lug No.	32.B00	34.B00
Dimension B (mm)	50	70
Dimension H (mm)	20	35
Dimension L (mm)	25	40
Dimension D (mm)	M5	M6
Dimension s (mm)	2	3



## Corner guide with roller

Type .N95-85 / .M95-85

Zinc plated steel guide roller on angled plate, with nylon or brass roller.

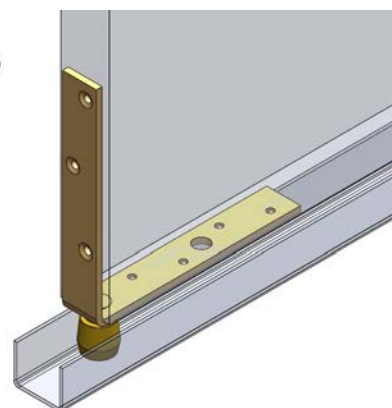
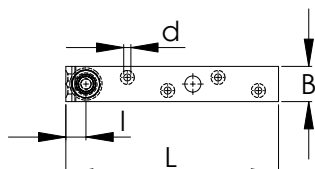
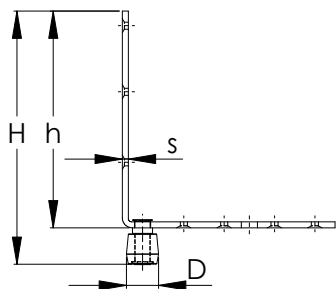


NIKO Profile No.	32.000	33.000	33.000	34.002	34.000	35.000	35.000
NYLON	32.N95	33.N95	33.N85	34.N95	34.N85	35.N95	35.N85
BRASS	32.M95	33.M95	33.M85	34.M95	34.M85	35.M95	35.M85
Suitable for top corner bracket No.	21.F95	23.F95	24.F95	24.F95	25.F95	25.F95	26.F95
Dimension B (mm)	20	30	35	35	40	40	50
Dimension H (mm)	140	182	238	250	290	300	360
Dimension L (mm)	125	160	200	205	255	255	320
Dimension D (mm)	12	19	19	32	32	50	50
Dimension h (mm)	125	160	205	215	260	255	310
Dimension l (mm)	70	80	115	120	125	155	155
Dimension d (mm)	4.8	5.3	7	7	8.4	8.4	10.5
Dimension s (mm)	4	5	6	6	8	8	10

## Corner guide Type "A" with roller

Type .N94-84 / .M94-84

Zinc plated steel guide roller on angled plate. Nylon or brass roller, mounted on door panel edge.



NIKO Profile No.	32.000	33.000	33.000	34.002	34.000	35.000	35.000
NYLON	32.N94	33.N94	33.N84	34.N94	34.N84	35.N94	35.N84
BRASS	32.M94	33.M94	33.M84	34.M94	34.M84	35.M94	35.M84
Suitable for top corner bracket No.	21.F94	23.F94	24.F94	24.F94	25.F94	25.F94	26.F94
Dimension B (mm)	20	30	35	35	40	40	50
Dimension H (mm)	140	182	238	250	290	300	360
Dimension L (mm)	125	160	200	205	255	255	320
Dimension D (mm)	12	19	19	32	32	50	50
Dimension h (mm)	125	160	205	215	260	255	310
Dimension l (mm)	15	20	20	20	30	30	44
Dimension d (mm)	4.8	5.3	7	7	8.4	8.4	10.5
Dimension s (mm)	4	5	6	6	8	8	10

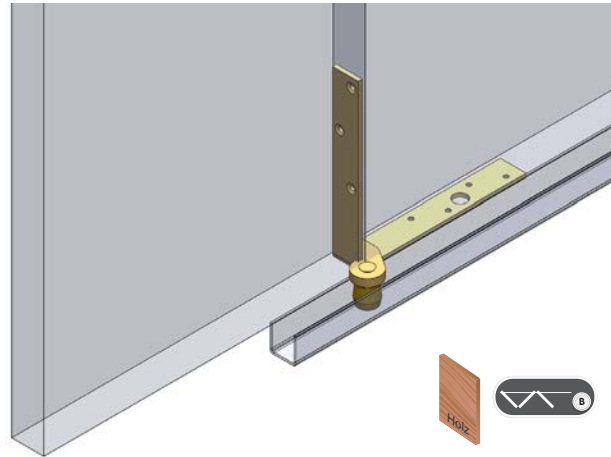
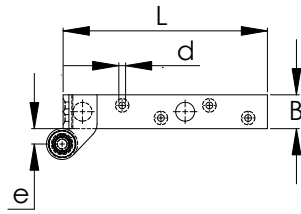
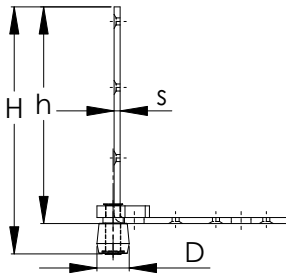


## Corner guide Type "B" with roller, right

.N97-87/.M97-87



Zinc plated steel guide roller on angled plate. Nylon or brass roller outside, offset right.



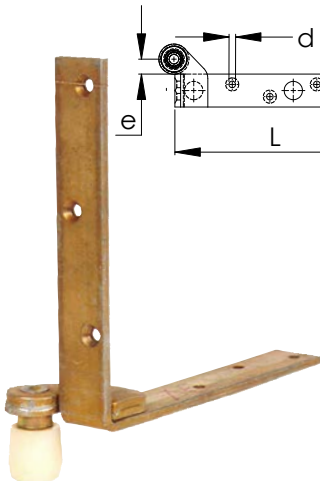
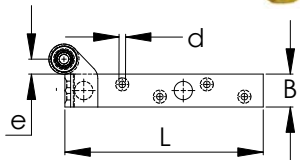
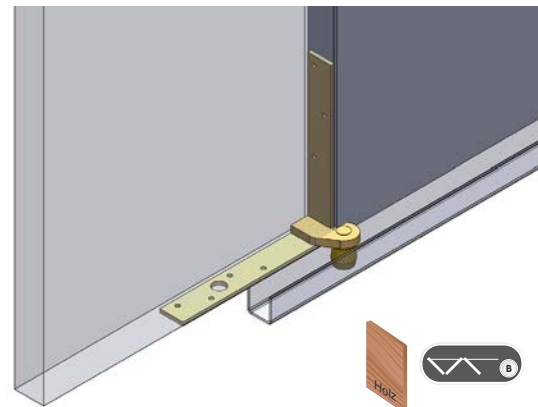
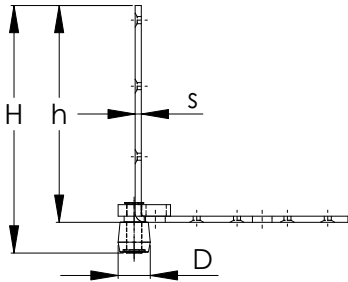
NIKO Profile No.	32.000	33.000	33.000	34.002	34.000	35.000	35.000
NYLON	32.N97	33.N97	33.N87	34.N97	34.N87	35.N97	35.N87
BRASS	32.M97	33.M97	33.M87	34.M97	34.M87	35.M97	35.M87
Suitable for top corner bracket No.	21.F97	23.F97	24.F97	24.F97	25.F97	25.F97	26.F97
Dimension B (mm)	20	30	35	35	40	40	50
Dimension H (mm)	136	180	235	245	290	300	360
Dimension L (mm)	125	160	205	205	255	255	320
Dimension D (mm)	12	19	19	32	32	50	50
Dimension h (mm)	125	160	215	215	260	255	320
Dimension d (mm)	4.8	5.3	7	7	8.5	8.5	10.5
Dimension e (mm)	15	15	16	16	35	35	35
Dimension s (mm)	4	5	6	6	8	8	10

Sliding Door Fittings

## Corner guide Type "B" with roller, left

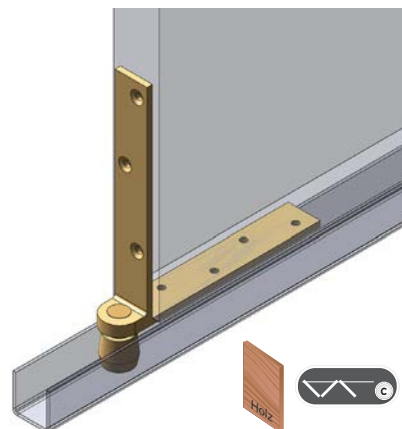
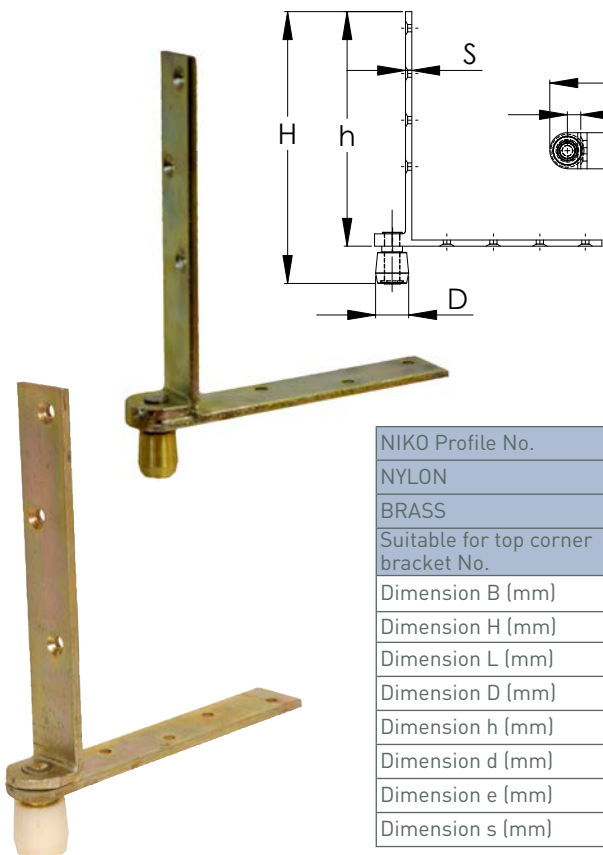
Type .N98-88/.M98-88

Zinc plated steel guide roller on angled plate. Nylon or brass roller outside, offset left.



NIKO Profile No.	32.000	33.000	33.000	34.002	34.000	35.000	35.000
NYLON	32.N98	33.N98	33.N88	34.N98	34.N88	35.N98	35.N88
BRASS	32.M98	33.M98	33.M88	34.M98	34.M88	35.M98	35.M88
Suitable for top corner bracket No.	21.F98	23.F98	24.F98	24.F98	25.F98	25.F98	26.F98
Dimension B (mm)	20	30	35	35	40	40	50
Dimension H (mm)	136	180	235	245	290	300	360
Dimension L (mm)	125	160	205	205	255	255	320
Dimension D (mm)	12	19	19	32	32	50	50
Dimension h (mm)	125	160	215	215	260	255	320
Dimension d (mm)	4.8	5.3	7	7	8.5	8.5	10.5
Dimension e (mm)	15	15	16	16	35	35	35
Dimension s (mm)	4	5	6	6	8	8	10

Zinc plated steel guide roller on angled plate. Nylon or brass roller outside on the edge.

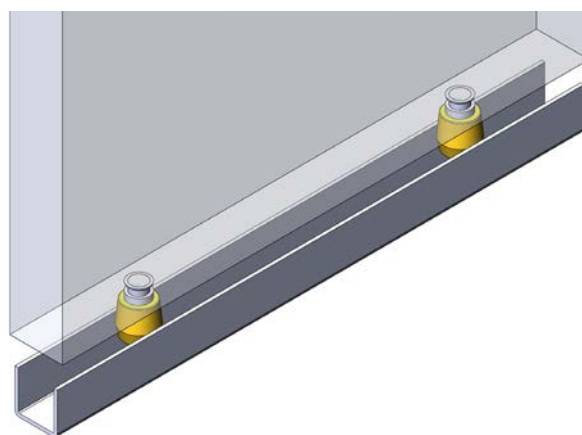
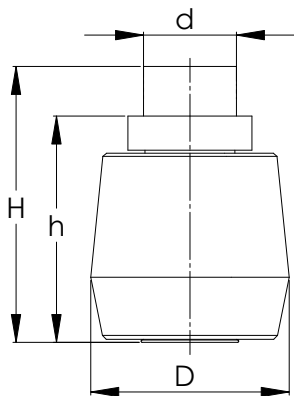


NIKO Profile No.	32.000	33.000	33.000	34.002	34.000	35.000	35.000
NYLON	32.N96	33.N96	33.N86	34.N96	34.N86	35.N96	35.N86
BRASS	32.M96	33.M96	33.M86	34.M96	34.M86	35.M96	35.M86
Suitable for top corner bracket No.	21.F96	23.F96	24.F96	24.F96	25.F96	25.F96	26.F96
Dimension B (mm)	20	30	35	35	40	40	50
Dimension H (mm)	160	190	249	265	307	328	348
Dimension L (mm)	130	160	205	220	280	280	320
Dimension D (mm)	12	19	19	32	32	50	50
Dimension h (mm)	142	165	225	230	270	280	300
Dimension d (mm)	4.8	5.3	7	7	8.5	8.5	10.5
Dimension e (mm)	7	8	16	12	14	14	16
Dimension s (mm)	4	5	6	6	8	8	10

## Guide with roller and rivet

## Type .N48 / .M48

Guide roller with steel bolt for rivet. Nylon or brass roller



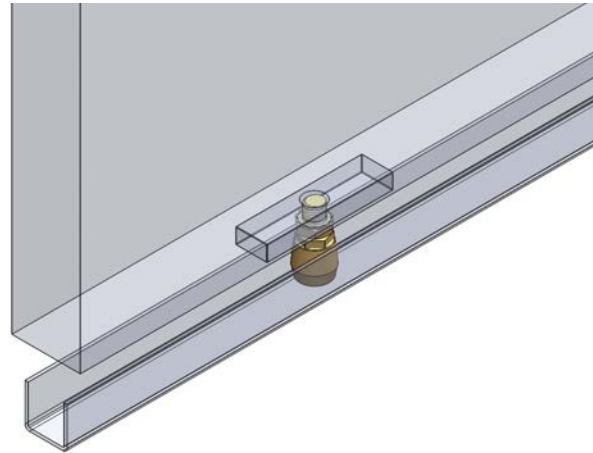
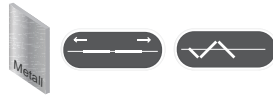
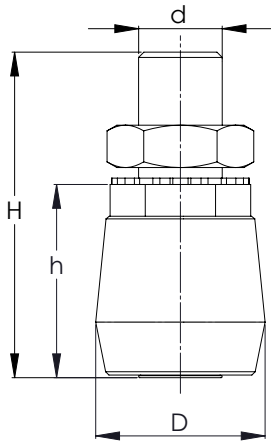
NIKO Profile No.	33.000	34.000	35.000
NYLON	33.N48	34.N48	35.N48
BRASS	33.M48	34.M48	35.M48
Dimension H (mm)	33	47	60
Dimension D (mm)	19	32	50
Dimension h (mm)	25	36	47
Dimension d (mm)	8.5	15.2	19.8

## Guide with roller and screw

Type .N49/.M49



Guide roller with steel bolt for screw fixing. Nylon brass roller. For example for mounting look at page 96.

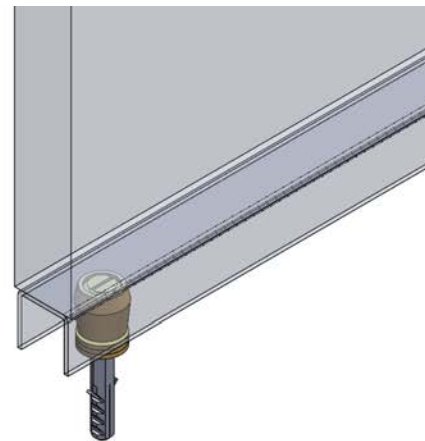
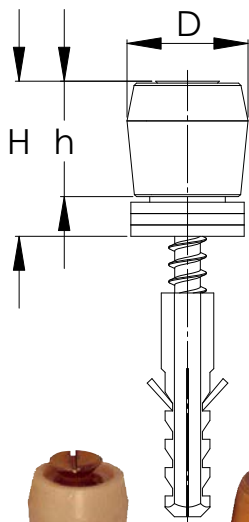


NIKO Profile No.	33.000	34.000	35.000
NYLON	33.N49	34.N49	35.N49
BRASS	33.M49	34.M49	35.M49
Dimension H (mm)	46	56	80
Dimension D (mm)	19	32	50
Dimension h (mm)	26	36	50
Dimension d (mm)	M10	M12	M20

## Guide with roller and fixing plug

Type .N58/.M58

Guide roller with screw and nylon plug. Nylon or brass roller. For example for mounting look at page 96.



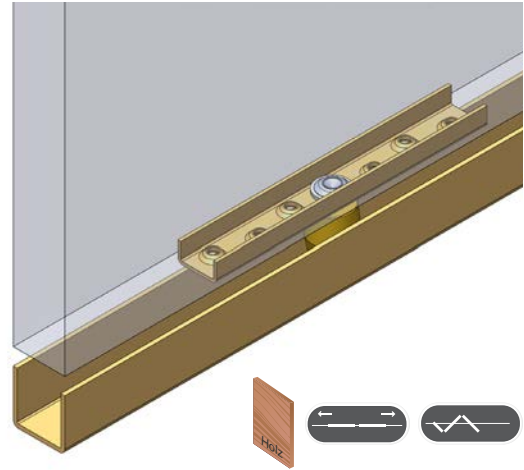
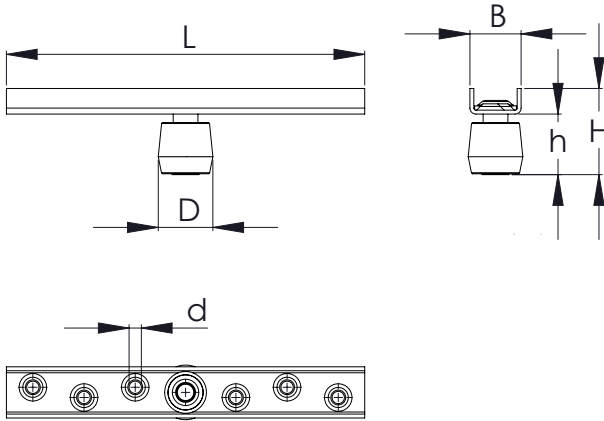
NIKO Profile No.	32.000	33.000	34.000	35.000
NYLON	32.N58	33.N58	34.N58	35.N58
BRASS	32.M58	33.M58	34.M58	35.M58
Dimension H (mm)	18	26	40	53
Dimension D (mm)	12	19	32	50
Dimension h (mm)	12	19	30	42



## Guide with roller and bottom bracket

Type .N00/.M00

Guide nylon or brass roller with steel bracket, for mounting on or in the door panel. For example for mounting look at page 96.

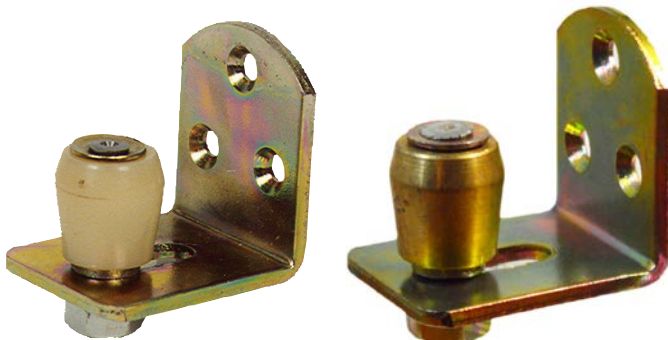
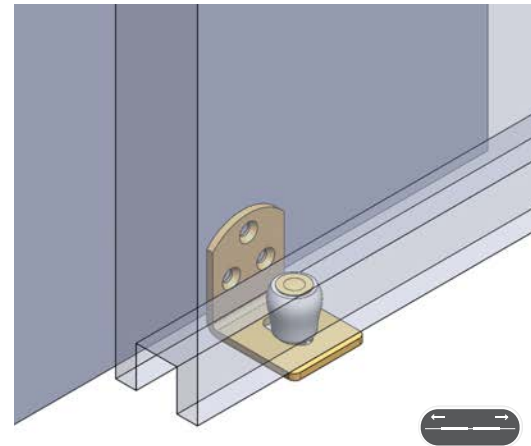
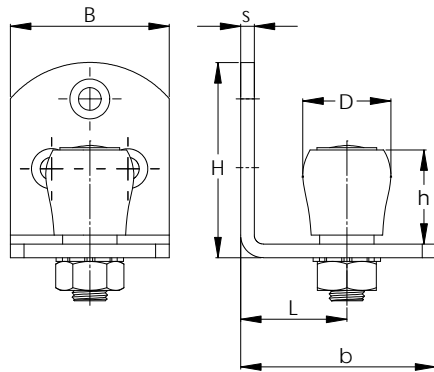


NIKO Profile No.	32.000	33.000	34.000	35.000
NYLON	32.N00	33.N00	34.N00	35.N00
BRASS	32.M00	33.M00	34.M00	35.M00
Dimension B (mm)	22	25	30	38
Dimension H (mm)	23	35	50	65
Dimension L (mm)	100	160	210	264
Dimension D (mm)	12	19	32	50
Dimension h (mm)	15	25	36	48
Dimension d (mm)	4.8	5.3	6.5	7.5

## Guide with roller and corner bracket

Type .N53/.M53

Guide nylon or brass roller with corner bracket, adjustable roller position.



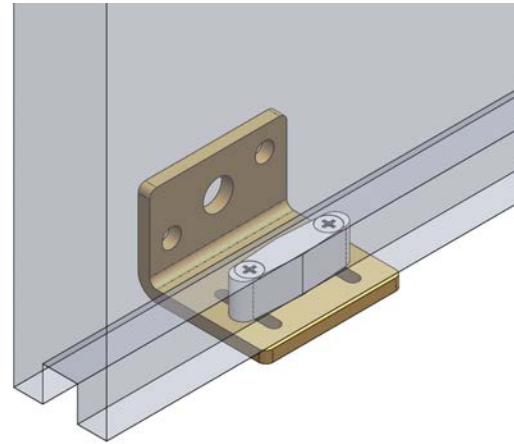
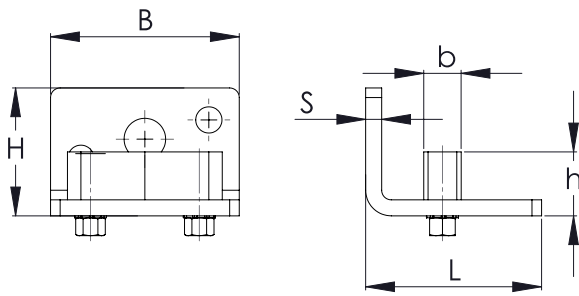
NIKO Profile No.	32.000	33.000
NYLON	32.N53	33.N53
BRASS	32.M53	33.M53
Dimension B (mm)	35	35
Dimension H (mm)	43	43
Dimension D(mm)	12	19
Dimension L (mm)	25	25
Dimension h (mm)	16	22
Dimension b (mm)	43	43
Dimension s (mm)	3	3

## Guide with nylon piece and corner bracket

Type .U53



Nylon wedge guide with adjustable position on steel bracket. For example for mounting look at page 96.



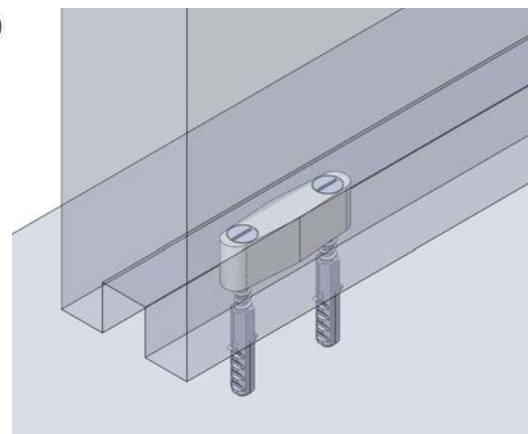
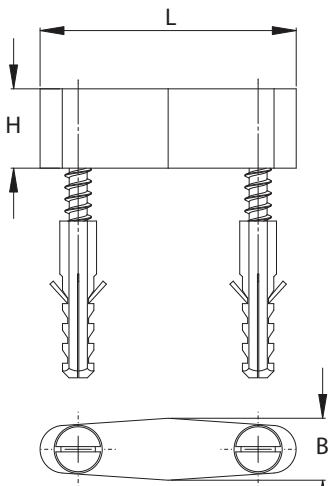
NIKO Profile No.	32.000	33.000
Guide with corner bracket No.	32.U53	33.U53
Dimension B (mm)	60	80
Dimension H (mm)	40	48
Dimension L (mm)	55	70
Dimension b (mm)	12	20
Dimension h (mm)	20	26
Dimension s (mm)	5	6

Sliding Door Fittings

## Nylon guide

Type .U54

Nylon wedge guide with screws and nylon fixing plugs. For example for mounting look at page 96.



NIKO Profile No.	32.000	33.000
Guide piece No.	32.U54	33.U54
Dimension B (mm)	12	20
Dimension H (mm)	15	20
Dimension L (mm)	50	70



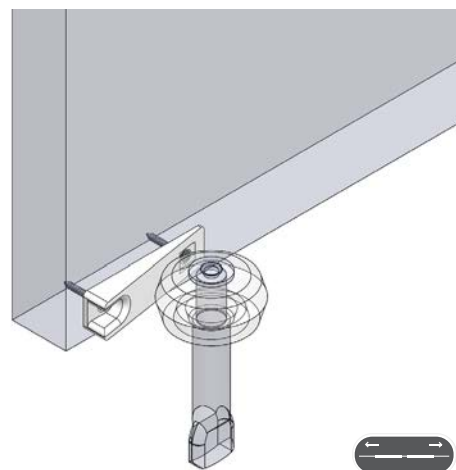
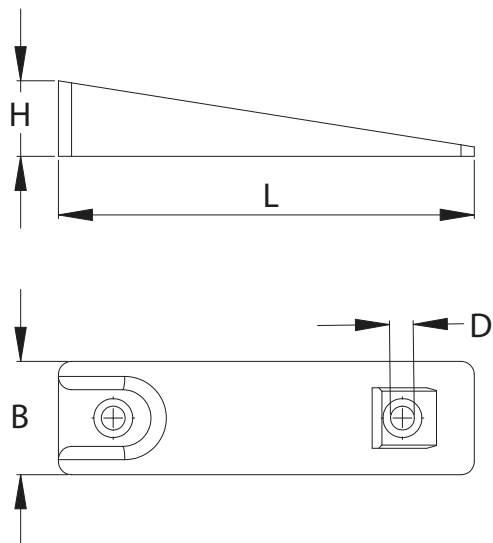
Heavy Duty Sliding Door Fittings  
We reserve the right for technical amendments without obligation.  
The product pictures and drawings depicted in this catalogue  
do not always reflect all available sizes.

Ver. January 2017

www.niko.eu.com

69

Nylon wedge guide with two mounting holes, white

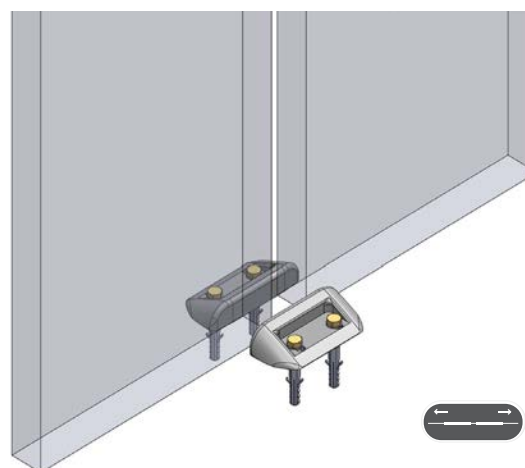
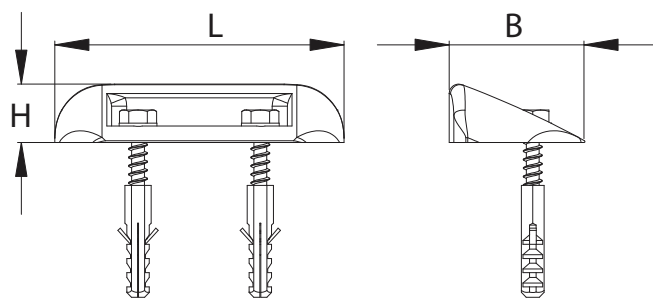


NIKO Art. No.	38.E54	38.E55
Dimension B (mm)	30	40
Dimension H (mm)	20	24
Dimension L (mm)	110	120
Dimension D (mm)	6.5	6.8

# Tortoise guide, nylon

## Type .E18/.E19/.E20

Adjustable tortoise guide, nylon or iron cast, passable bottom guide, stable construction including screws and fixing plugs. For example for mounting look at page 95.



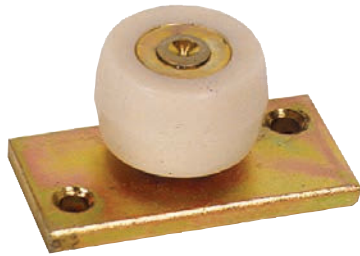
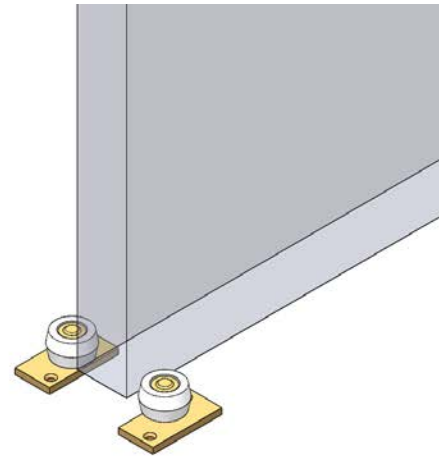
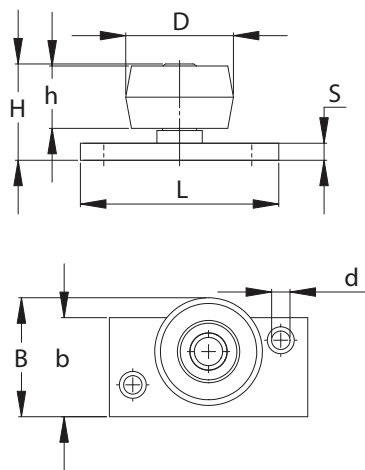
NIKO Art No.	38.E18	38.E19	38.E20
	NYLON	CAST IRON	
Dimension B (mm)	74	74	110
Dimension H (mm)	32	32	40
Dimension L(mm)	150	150	240

## Guide roller with base plate

Type . X59



Nylon roller on zinc plated steel plate. For example for mounting look at page 95.

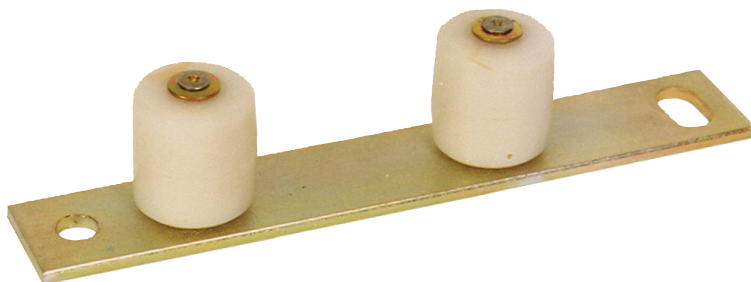
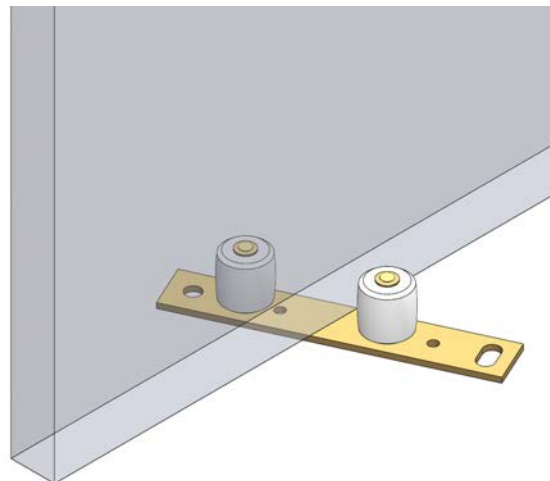
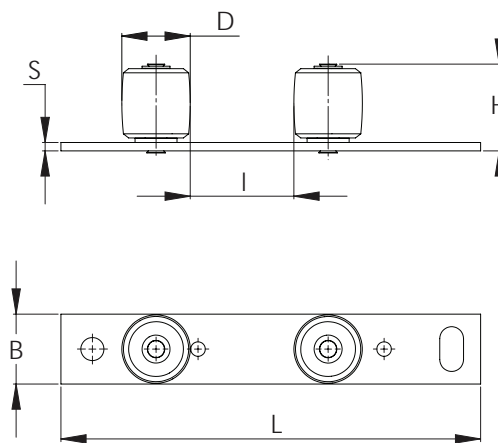


NIKO Art No.	38.X59
Dimension B (mm)	40
Dimension H (mm)	33
Dimension L (mm)	70
Dimension D (mm)	38
Dimension b (mm)	34
Dimension h (mm)	22
Dimension d (mm)	6.5
Dimension s (mm)	6

## Double guide roller with base plate

Type .X65/66

Nylon rollers on zinc plated steel plate, long and adjustable. For example for mounting look at page 95.



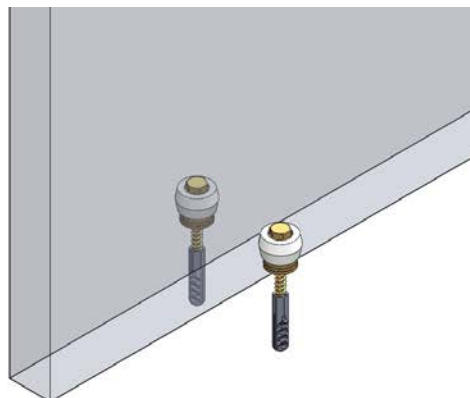
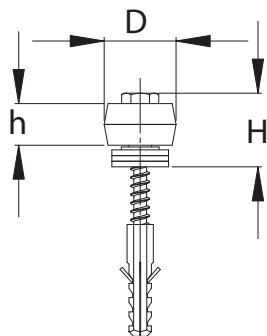
NIKO Art No.	38.X65	38.X66
Dimension B (mm)	35	50
Dimension H (mm)	38	57
Dimension L (mm)	210	300
Dimension D (mm)	32	50
Dimension l (mm)	27/48/53/72	45/75/85/115
Dimension s (mm)	6	6



## Nylon guide roller with fixing plug

Type .X08/.09

Nylon guide roller with screw and fixing plug. For example for mounting look at page 95.

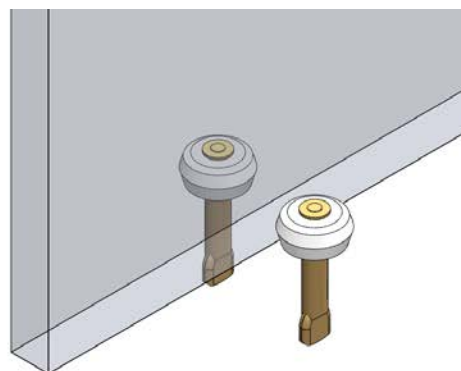
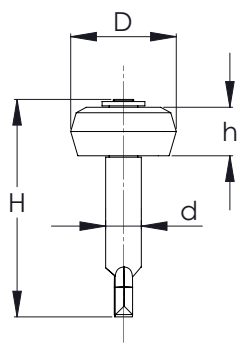


NIKO Art No.	38.X08	38.X09
Dimension H (mm)	38	62
Dimension D (mm)	38	75
Dimension h (mm)	22	34

## Guide roller with pin

Type .X10/11

Guide roller with pin



NIKO Art No.	38.X10	38.X11
Dimension H (mm)	120	152
Dimension D (mm)	38	75
Dimension h (mm)	22	34
Dimension d (mm)	16	25

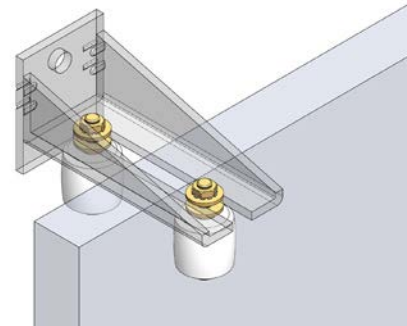
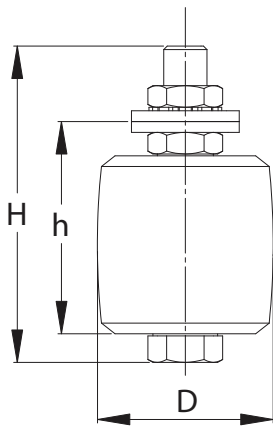


## Guide roller with screw

Type .X69



Guide top nylon roller with steel bolt for screw fixing.



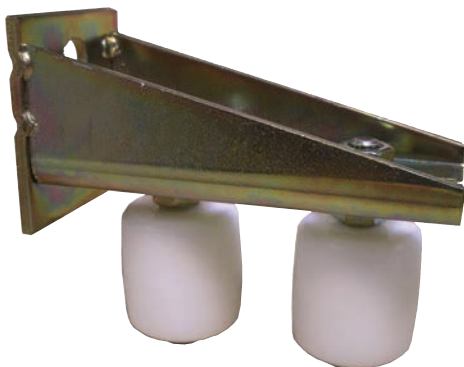
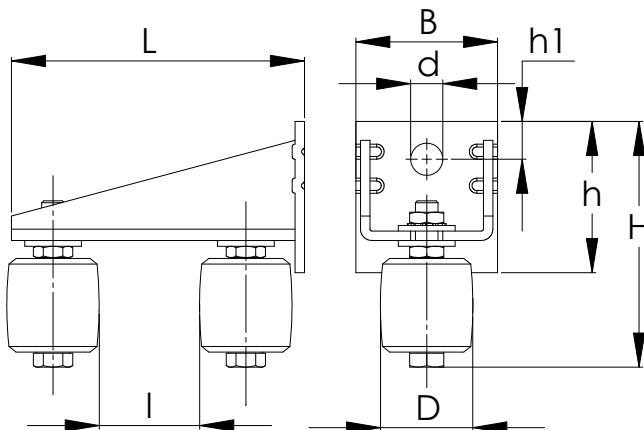
NIKO Art No.	38.X69
Dimension H (mm)	88
Dimension D (mm)	50
Dimension h (mm)	58

Sliding Door Fittings

## Double guide roller with adjustable bracket

Type .X70

Guide top nylon roller with zinc plated steel adjustable bracket.



NIKO Art No.	38.X70
Dimension B (mm)	75
Dimension H (mm)	130
Dimension L (mm)	155
Dimension D (mm)	50
Dimension h (mm)	80
Dimension l max (mm)	60
Dimension d (mm)	17
Dimension h1 (mm)	20

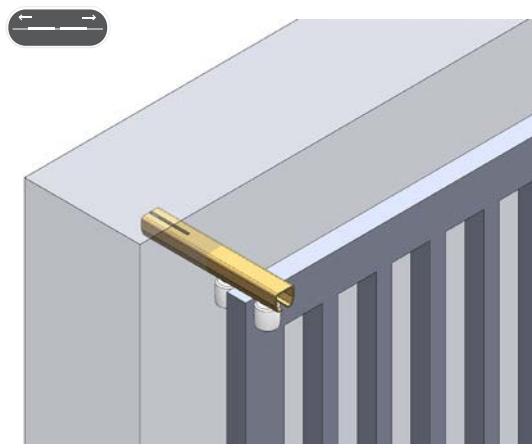
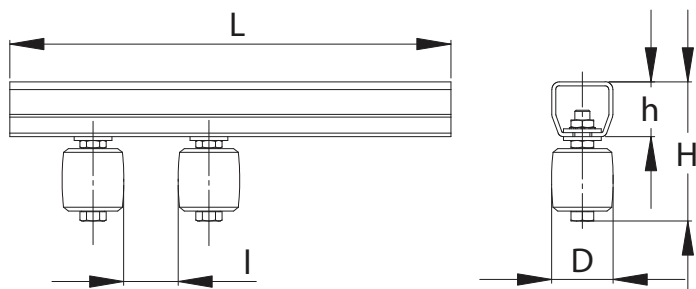


Heavy Duty Sliding Door Fittings  
We reserve the right for technical amendments without obligation.  
The product pictures and drawings depicted in this catalogue  
do not always reflect all available sizes.

Ver. January 2017

[www.niko.eu.com](http://www.niko.eu.com)

Guide top nylon roller with zinc plated steel track, adjustable, and for setting in to concrete.

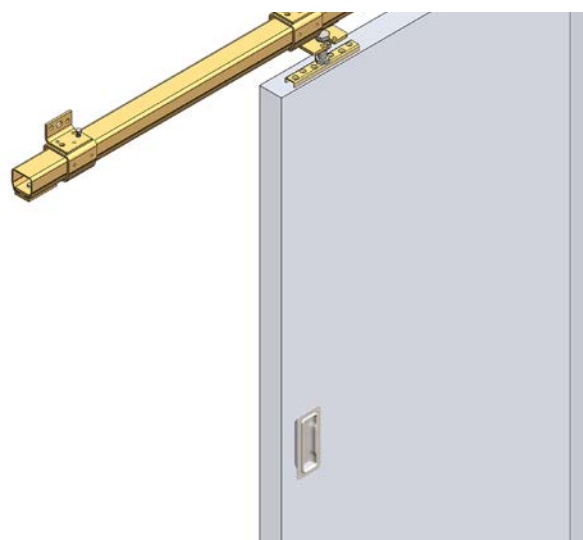
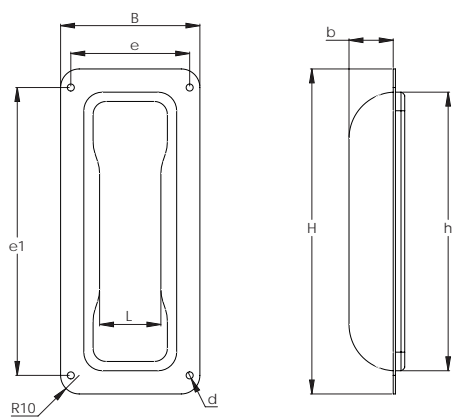


NIKO Art No.	38.X71
Dimension H (mm)	110
Dimension L (mm)	450
Dimension D (mm)	50
Dimension h (mm)	43.5
Dimension l max (mm)	200

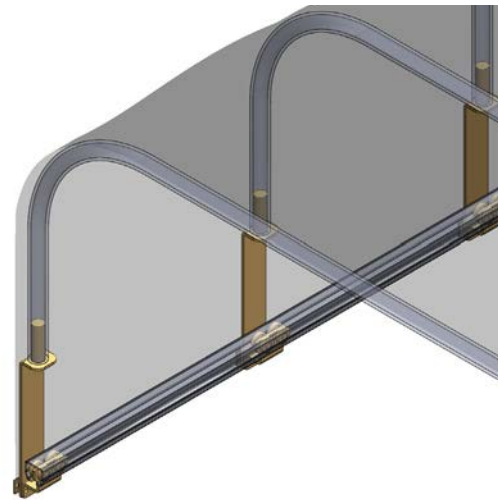
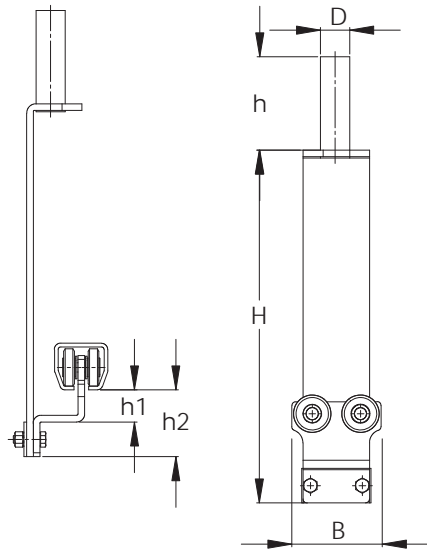
## Flush handle

## Type .400/401

Flush handle for heavy duty sliding doors. Special crimped version for secure use. Retractable shell-formed handle from zinc plated steel or stainless steel, thickness 1.2mm, with punching for screw or rivet.



Type	Art. No.	H	e1	B	e	d	L	h	b
Flush handle with punching, white galvanized	X5.400	175mm	155mm	75mm	64mm	3.8mm	133mm	145mm	20mm
Flush handle with punching, stainless steel A4/316	X5.401	175mm	155mm	75mm	64mm	3.8mm	133mm	145mm	20mm

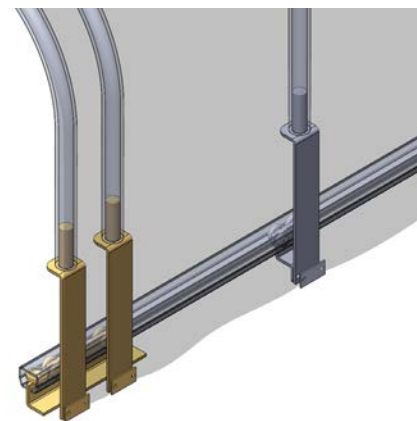
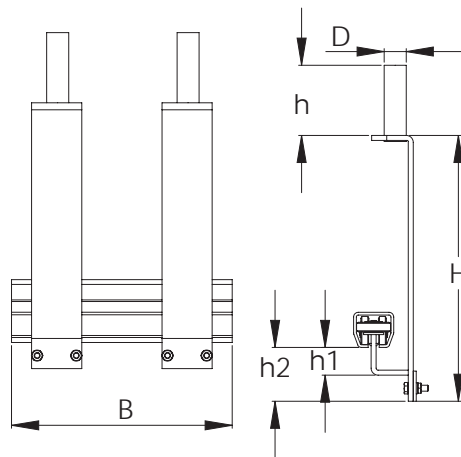


NIKO Profile No.	23.000	23.000
Wheel hanger No.	23.X81	23.X84
Load per wheel hanger (SWL kg)	40	40
Dimension B (mm)	68	68
Dimension H (mm)	260	295
Dimension D (mm)	20	20
Dimension h (mm)	70	70
Dimension h1 (mm)	24	24
Dimension h2 (mm)	50	50

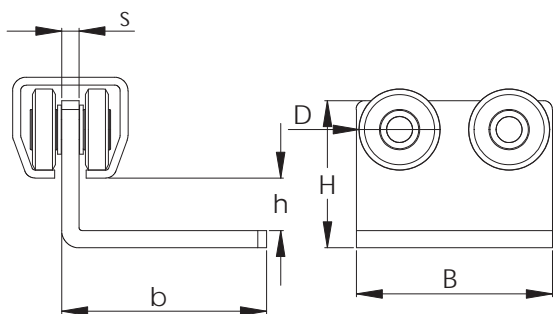
Sliding Door Fittings

Double hanger for truck curtains

Type . X82-86



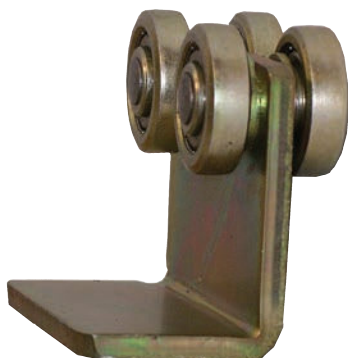
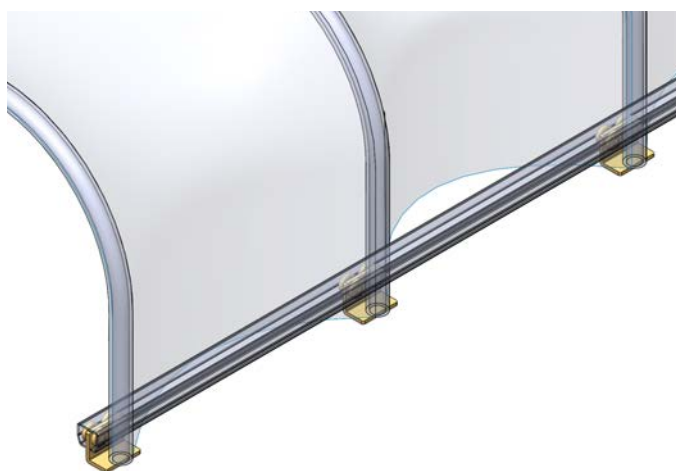
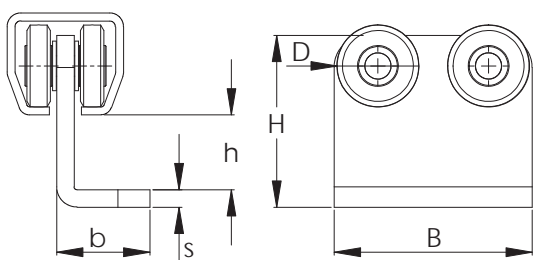
NIKO Profile No.	23.000	23.000
Wheel hanger No.	23.X82	23.X86
Load per wheel hanger (SWL kg)	40	40
Dimension B (mm)	218	218
Dimension H (mm)	260	295
Dimension D (mm)	20	20
Dimension h (mm)	70	70
Dimension h1 (mm)	24	24
Dimension h2 (mm)	50	50



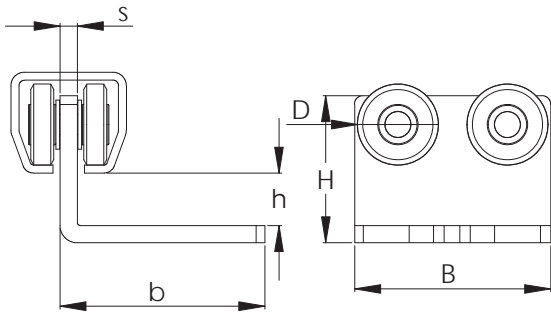
NIKO Profile No.	23.000
Wheel hanger No.	23.R53
Load per wheel hanger (SWL kg)	40
Dimension B (mm)	68
Dimension H (mm)	51
Dimension D (mm)	28
Dimension h (mm)	18
Dimension b (mm)	70
Dimension s (mm)	5

# Angle type wheel hanger (short) for truck curtains

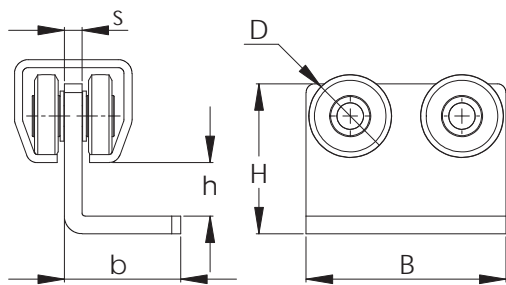
## Type .X83



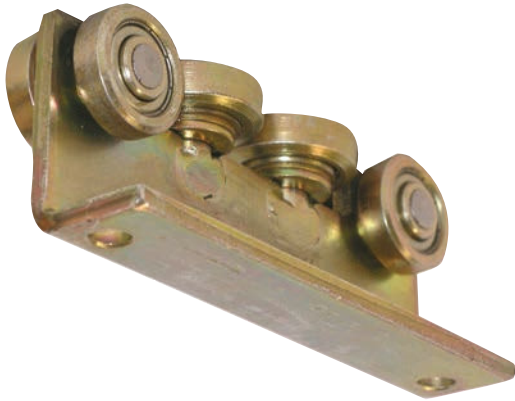
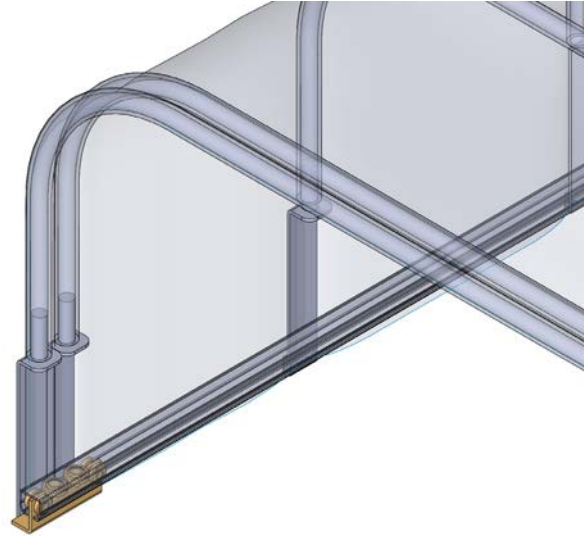
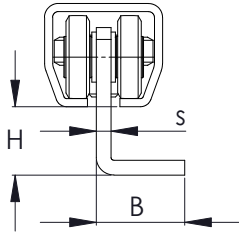
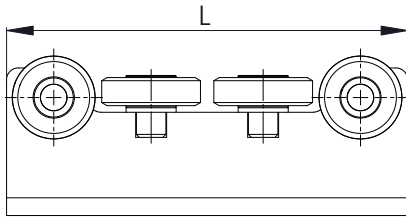
NIKO Profile No.	23.000
Wheel hanger No.	23.X83
Load per wheel hanger (SWL kg)	40
Dimension B (mm)	68
Dimension H (mm)	50
Dimension D (mm)	28
Dimension h (mm)	18
Dimension b (mm)	38
Dimension s (mm)	5



NIKO Profile No.	23.000
Wheel hanger No.	23.R56
Load per wheel hanger (SWL kg)	40
Dimension B (mm)	70
Dimension H (mm)	56
Dimension D (mm)	28
Dimension h (mm)	25
Dimension b (mm)	65
Dimension s (mm)	6



NIKO Profile No.	23.000
Wheel hanger No.	23.X73
Load per wheel hanger (SWL kg)	40
Dimension B (mm)	68
Dimension H (mm)	58
Dimension D (mm)	28
Dimension h (mm)	25
Dimension b (mm)	32
Dimension s (mm)	6



NIKO Profile No.	23.000
Wheel hanger No.	23.X87
Load per wheel hanger (SWL kg)	40
Dimension B (mm)	30
Dimension H (mm)	27
Dimension L (mm)	136
Dimension s (mm)	6

NIKO Stainless steel fittings

Type. 304/316

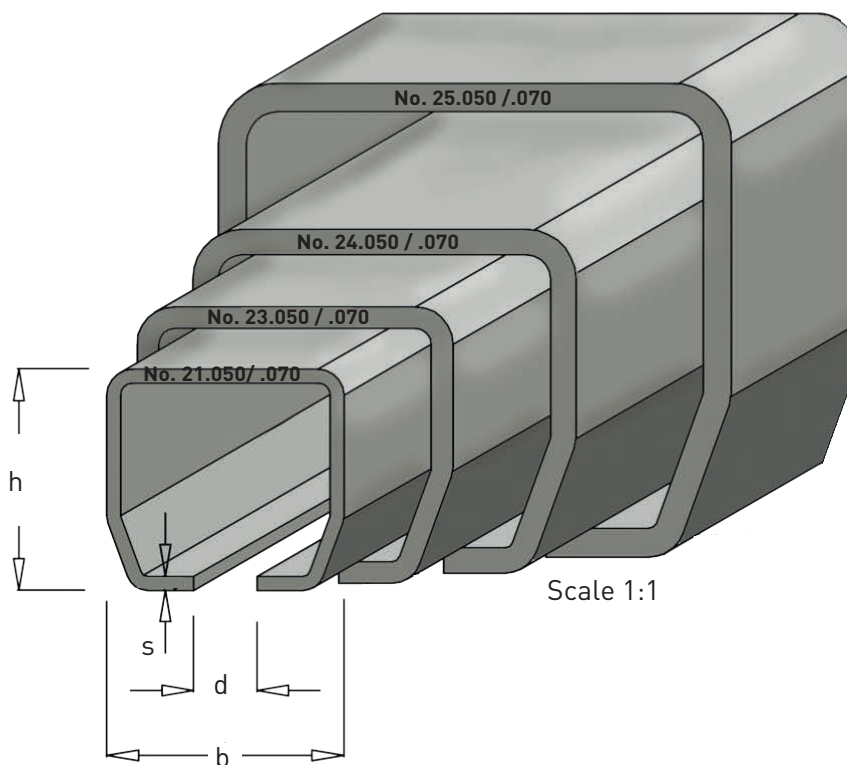


# NIKO Track Profiles, stainless steel

STAINLESS  
STEEL  
304

STAINLESS  
STEEL  
316

NIKO Profil No.	Dimensions			
	h (mm)	b (mm)	d (mm)	s (mm)
21.050 Stainless steel (304)	28,00	30,00	8,00	1,75
21.070 Stainless steel (316)	28,00	30,00	8,00	1,75
23.050 Stainless steel (304)	35,00	40,00	11,00	2,75
23.070 Stainless steel (316)	35,00	40,00	11,00	2,75
24.050 Stainless steel (304)	43,50	48,50	15,00	3,20
24.070 Stainless steel (316)	43,50	48,50	15,00	3,00
25.050 Stainless steel (304)	60,00	65,00	18,00	3,60
25.070 Stainless steel (316)	60,00	65,00	18,00	4,00

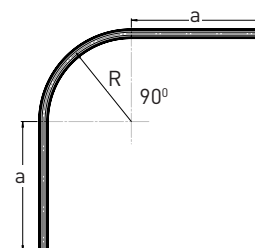


# Track bends, stainless steel

STAINLESS  
STEEL  
304

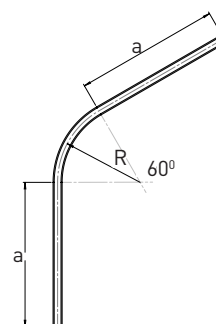
STAINLESS  
STEEL  
316

NIKO Profile No.	21.050/.070	23.050/.070	24.050/.070	25.050/.070
Track bend 90° No. (304)	51.C06	53.C07	54.C06	55.C06
Track bend 90° No. (316)	71.C06	73.C07	74.C06	75.C06
a (mm)	490±20	460±20	550±20	550±20
R (mm)	650±10	690±15	580±15	580±15
L (mm)	2000	2000	2000	2000

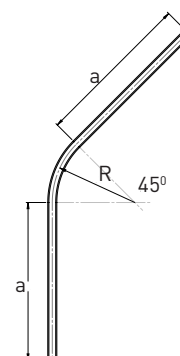
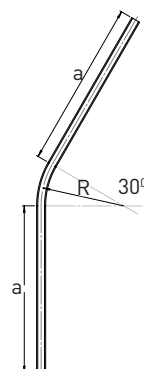


NIKO Profile No.	21.050/.070	21.050/.070	21.050/.070	23.050/.070	24.050/.070	24.050/.070
Track bend 90° No. (304)	51.C02	51.C03	51.C04	53.C04	54.C04	54.C09
Track bend 90° No. (316)	71.C02	71.C03	71.C04	73.C04	74.C04	74.C09
a (mm)	590±20	510±20	690±20	690±20	650±20	540±20
R (mm)	205±10	300±10	400±10	400±15	440±15	905±15
L (mm)	1500	1500	2000	2000	2000	2500

NIKO Profile No.	21.050/.070	23.050/.070	24.050/.070	24.050/.070	25.050/.070
Track bend 60° No. (304)	51.C16	53.C17	54.C16	54.C19	55.C16
Track bend 60° No. (316)	71.C16	73.C17	74.C16	74.C19	75.C16
a (mm)	660±20	640±20	700±20	530±20	700±20
Track bend 45° No. (304)	51.C26	53.C27	54.C26	54.C29	55.C26
Track bend 45° No. (316)	71.C26	73.C27	74.C26	74.C29	75.C26
a (mm)	750±20	730±20	770±20	640±20	770±20
Track bend 30° No. (304)	51.C36	53.C37	54.C36	54.C39	55.C36
Track bend 30° No. (316)	71.C36	73.C37	74.C36	74.C39	75.C36
a (mm)	830±20	820±20	850±20	760±20	850±20
R (mm)	650±10	690±15	580±15	905±15	580±15
L (mm)	2000	2000	2000	2000	2000



NIKO Profile No.	21.050/.070	23.050/.070	24.050/.070	24.050/.070
Track bend 60° No. (304)	51.C12	51.C14	53.C14	54.C14
Track bend 60° No. (A4)	71.C12	71.C14	73.C14	74.C14
a (mm)	640±20	790±20	790±20	770±20
Track bend 45° No. (304)	51.C22	51.C24	53.C24	54.C24
Track bend 45° No. (316)	71.C22	71.C24	73.C24	74.C24
a (mm)	670±20	840±20	840±20	830±20
Track bend 30° No. (304)	51.C32	51.C34	53.C34	54.C34
Track bend 30° No. (316)	71.C32	71.C34	73.C34	74.C34
a (mm)	700±20	900±20	900±20	890±20
R (mm)	205±10	400±10	400±15	440±15
L (mm)	1500	2000	2000	2000



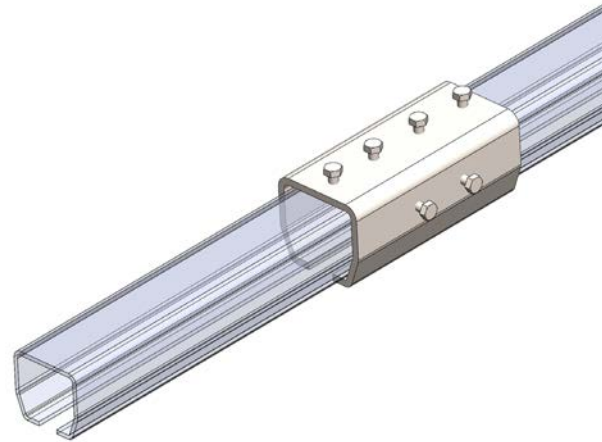
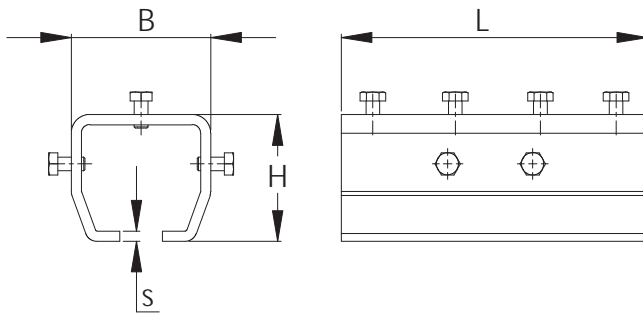


## Splice joint

Type .B49



In stainless steel for connection of two track sections with top and side screws.



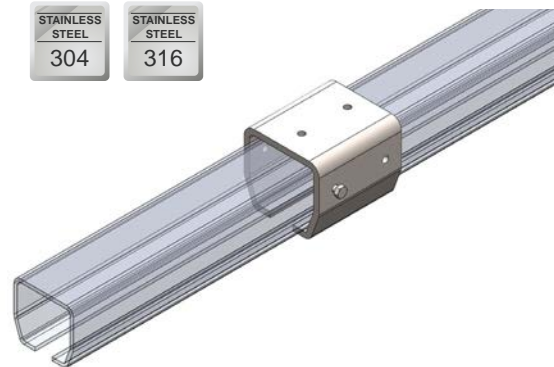
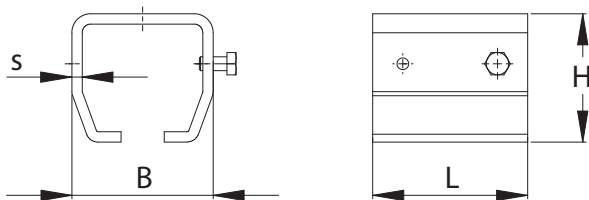
NIKO Profile No.	21.050/.070	23.050/.070	24.050/.070	25.050/.070
Splice joint No. (304)	51.B49	53.B49	54.B49	55.B49
Splice joint No. (316)	71.B49	73.B49	74.B49	75.B49
Dimension B (mm)	38	50	61	81
Dimension H (mm)	36	44	54	75
Dimension L (mm)	85	120	150	180
Dimension s (mm)	3	4	4	6

Sliding Door Fittings

## Support bracket

Type .B00

Stainless steel support bracket for screw on or welding to on-site steel construction.



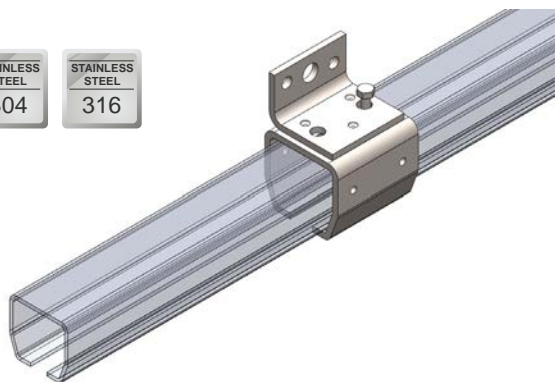
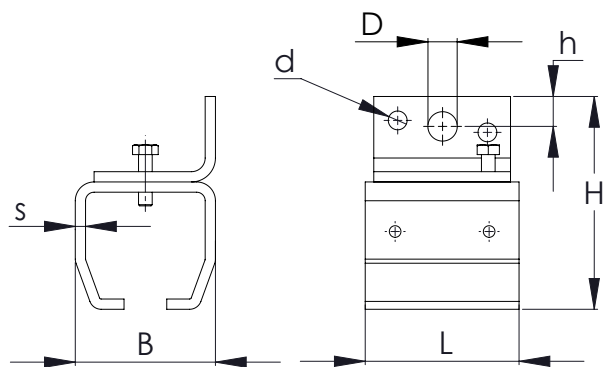
NIKO Profile No.	21.050/.070	23.050/.070	24.050/.070	25.050/.070
Support bracket No. (304)	51.B00	53.B00	54.B00	55.B00
Support bracket No. (316)	71.B00	73.B00	74.B00	75.B00
Dimension B (mm)	38	50	61	81
Dimension H (mm)	36	44	54	75
Dimension L (mm)	40	56	68	90
Dimension s (mm)	3	4	4	6



## Wall support bracket

Type .B01

Stainless steel support for wall mounting without adjustment.

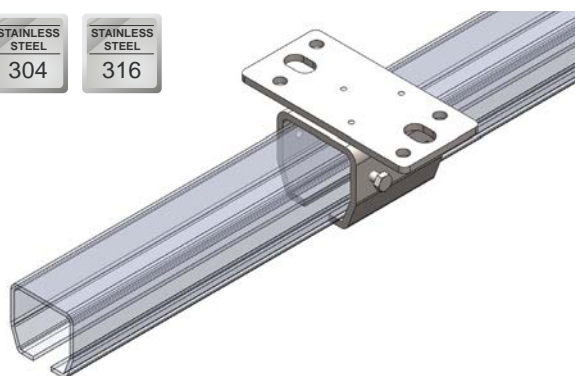
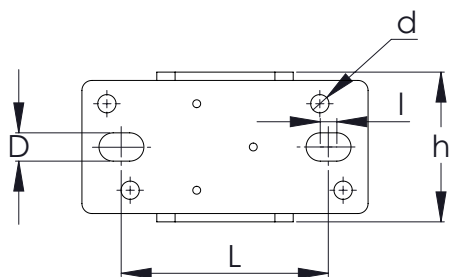
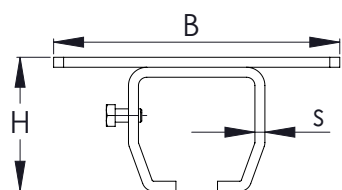


NIKO Profile No.	21.050/.070	23.050/.070	24.050/.070	25.050/.070
Wall support bracket No. (304)	51.B01	53.B01	54.B01	55.B01
Wall support bracket No. (316)	71.B01	73.B01	74.B01	75.B01
Dimension B (mm)	38	50	61	81
Dimension H (mm)	61	79	95	123
Dimension L (mm)	40	56	68	90
Dimension D (mm)	8	11	13	17
Dimension h (mm)	10	13	16	18
Dimension d (mm)	5.2	6.2	8.2	11
Dimension s (mm)	3	4	4	6

## Ceiling support bracket

Type .B02

Stainless steel support for mounting direct to the ceiling



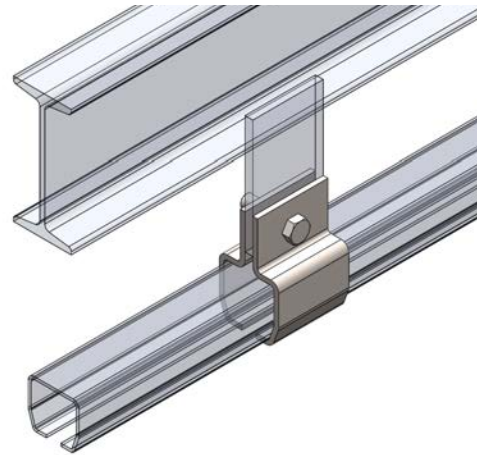
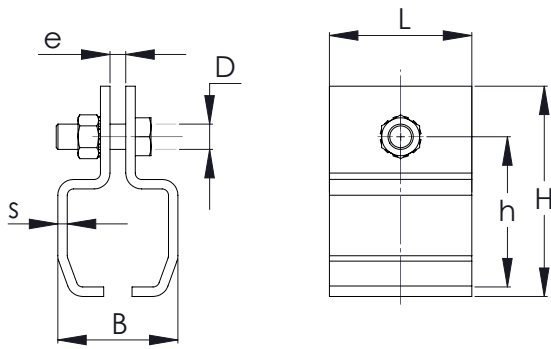
NIKO Profile No.	21.050/.070	23.050/.070	24.050/.070	25.050/.070
Ceiling support bracket No. (304)	51.B02	53.B02	54.B02	55.B02
Ceiling support bracket No. (316)	71.B02	73.B02	74.B02	75.B02
Dimension B (mm)	90	115	130	171
Dimension H (mm)	39	50	60	81
Dimension L (mm)	64	81	94	124
Dimension D (mm)	8	11	13	17
Dimension h (mm)	40	56	68	90
Dimension l (mm)	7	8	8	10
Dimension d (mm)	5.2	6.2	8.2	11
Dimension s (mm)	3	4	4	6

## Split support bracket

Type .B03



Stainless steel support, for mounting tracks onto flat steel plates.



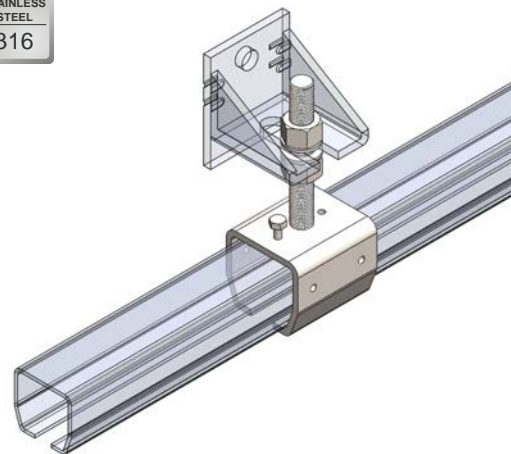
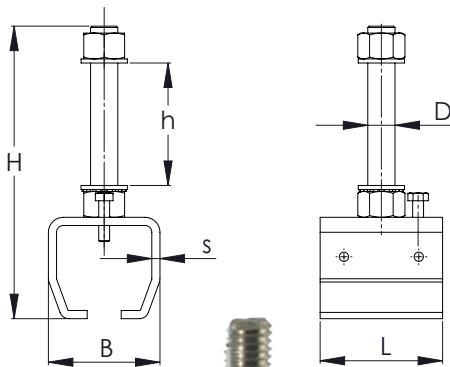
NIKO Profile No.	24.050/.070	25.050/.070
Split support bracket No. (304)	54.B03	55.B03
Split support bracket No. (316)	74.B03	75.B03
Dimension B (mm)	57	77
Dimension H (mm)	88	132
Dimension D (mm)	M12	M16
Dimension L (mm)	50	90
Dimension h (mm)	70	94
Dimension s (mm)	4	6
Dimension e (mm)	8	10

Sliding Door Fittings

## Adjustable bracket

Type .B04

Stainless steel bracket with thread for height adjustment.



NIKO Profile No.	21.050/.070	23.050/.070	24.050/.070	25.050/.070
Height adjustable bracket No. (304)	51.B04	53.B04	54.B04	55.B04
Height adjustable bracket No. (316)	71.B04	73.B04	74.B04	75.B04
Dimension B (mm)	38	50	61	81
Dimension H (mm)	100	135	145	215
Dimension L (mm)	40	56	68	90
Dimension D (mm)	M10	M16	M16	M20
Dimension h max (mm)	32	50	55	93
Dimension s (mm)	3	4	4	6



**Heavy Duty Sliding Door Fittings**  
We reserve the right for technical amendments without obligation.  
The product pictures and drawings depicted in this catalogue do not always reflect all available sizes.

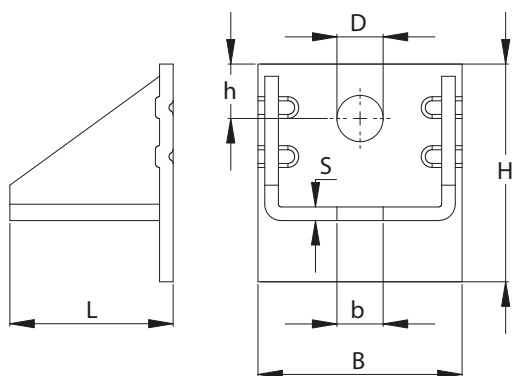
Ver. January 2017

[www.niko.eu.com](http://www.niko.eu.com)

## Adjustable wall bracket

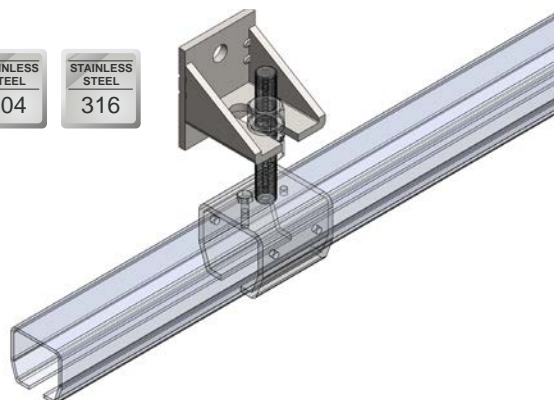
Type .B05

Stainless steel wall bracket, short type for single track. For use with height adjustable bracket Type .B04.



STAINLESS  
STEEL  
304

STAINLESS  
STEEL  
316

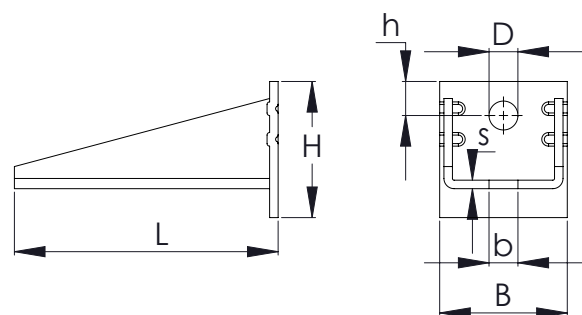


NIKO Profile No.	23/24.050 23/24.070	25.050/.070
Adjustable wall bracket No. (304)	54.B05	55.B05
Adjustable wall bracket No. (316)	74.B05	75.B05
Dimension B (mm)	75	90
Dimension H (mm)	80	110
Dimension L (mm)	60	98
Dimension s (mm)	5	8
Dimension b (mm)	17	21
Dimension D (mm)	17	18
Dimension h (mm)	20	25

## Double adjustable wall bracket

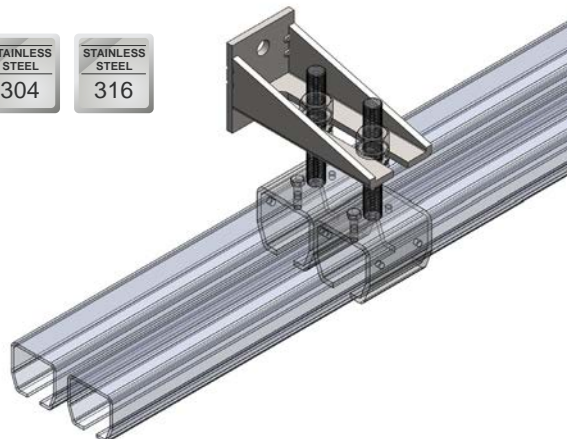
Type .B06

Stainless steel double wall bracket, long type for twin tracks. For use with adjustable bracket Type .B04.



STAINLESS  
STEEL  
304

STAINLESS  
STEEL  
316



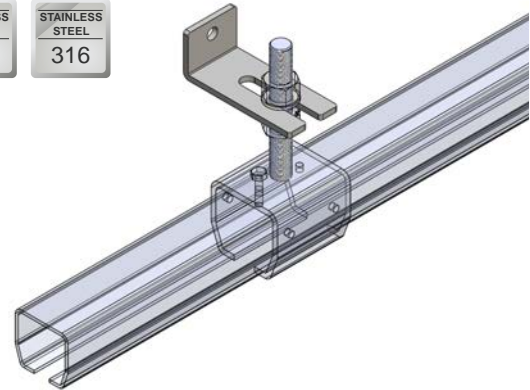
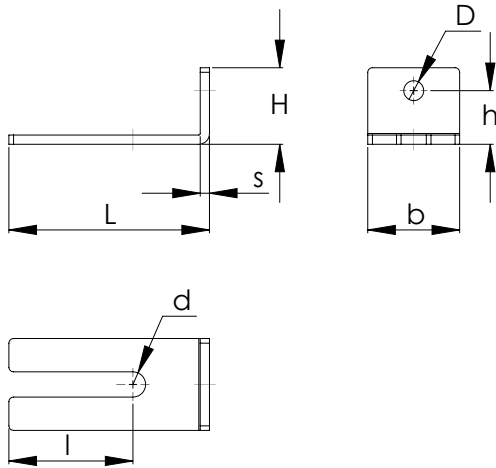
NIKO Profile No.	23/24.050 23/24.070	25.050/.070
Double adjustable wall bracket No. (304)	54.B06	55.B06
Double adjustable wall bracket No. (316)	74.B06	75.B06
Dimension B (mm)	75	90
Dimension H (mm)	80	110
Dimension h (mm)	20	25
Dimension L (mm)	155	208
Dimension s (mm)	5	8
Dimension b (mm)	17	21
Dimension D (mm)	17	18

## Adjustable wall bracket / Double adjustable wall bracket

## Type 51/71 .B05-.B06



Stainless steel wall bracket, short type for single track and stainless steel double wall bracket, type long for two tracks, both for use with adjustable bracket Type .B04.



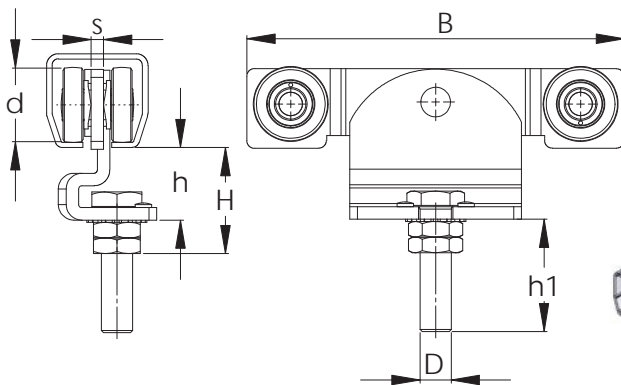
NIKO Profile No.	21.050/.070	21.050/.070
Adjustable wall bracket No. (304)	51.B05	51.B06
Adjustable wall bracket No. (316)	71.B05	71.B06
Dimension L (mm)	49	100
Dimension H (mm)	40	50
Dimension D (mm)	13	13
Dimension l (mm)	31	80
Dimension b (mm)	50	60
Dimension d (mm)	10.5	10.5
Dimension s (mm)	5	6
Dimension h (mm)	25	35

Sliding Door Fittings

## Double wheel hanger

## Type .R91

Stainless steel double wheel hanger, straight movement, with pendulum hinge and adjustable screw with nut. Additional installation measurements from page 90.



NIKO Profile No.	21.050/.070	23.050/.070	24.050/.070	25.050/.070
Wheel hanger No. (304)	51.R91	53.R91	54.R91	55.R91
Wheel hanger No. (316)	71.R91	73.R91	74.R91	75.R91
Load per wheel hanger (SWL kg)	50	100	200	300
Dimension B (mm)	107	135	182	242
Dimension H (mm)	38-52	45-75	52-85	65-95
Dimension D (mm)	M10X40	M12X60	M16X70	M20X80
Dimension h (mm)	25	31	36	46
Dimension h1 (mm)	35	55	64	72
Dimension d (mm)	22	28	34	48
Dimension s (mm)	3	4	6	8



**Heavy Duty Sliding Door Fittings**  
We reserve the right for technical amendments without obligation.  
The product pictures and drawings depicted in this catalogue do not always reflect all available sizes.

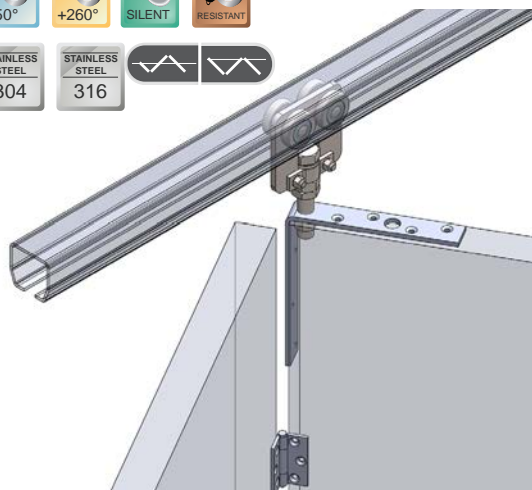
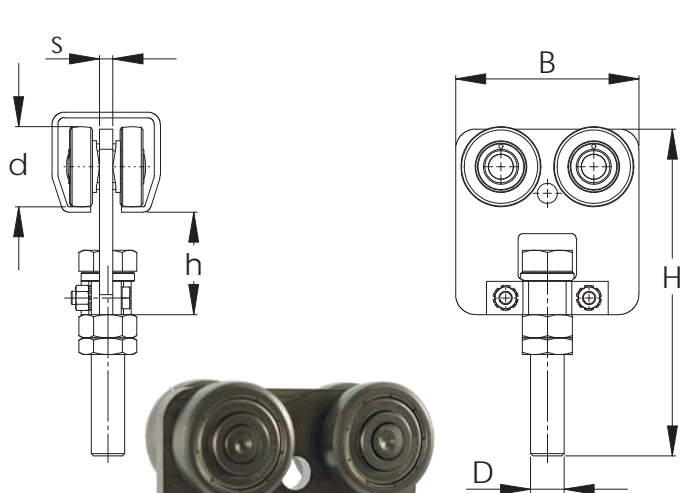
Ver. January 2017

[www.niko.eu.com](http://www.niko.eu.com)

## Double wheel hanger with rotating screw (for folding doors)

Type .R51

Stainless steel double wheel hanger, with rotating screw (short) with pivot bearing.

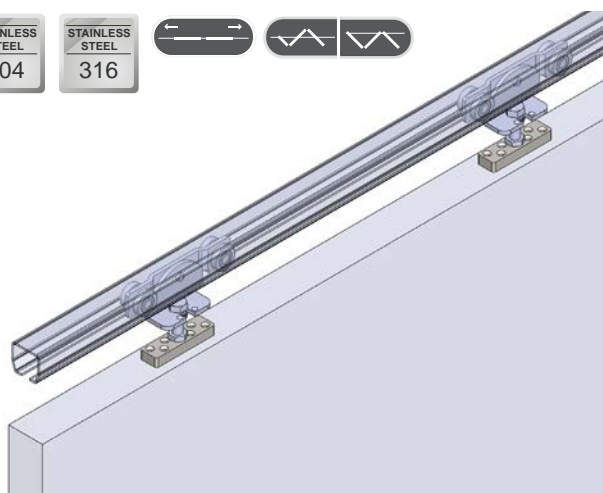
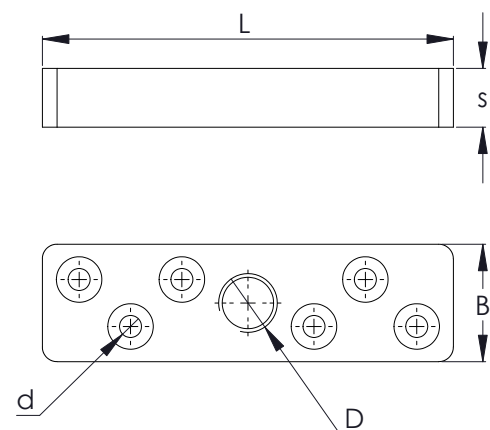


NIKO Profile No.	23.050 / .070	24.050 / .070	25.050 / .070
Wheel hanger No. (304)	53.R51	54.R51	55.R51
Wheel hanger No. (316)	73.R51	74.R51	75.R51
Load per wheel hanger (SWL kg)	85	150	300
Dimension B (mm)	68	90	110
Dimension H (mm)	122	145	195
Dimension D (mm)	M12	M16	M20
Dimension h (mm)	45	49	64
Dimension d (mm)	28	34	48
Dimension s (mm)	5	6	8

## Bracket for welding or screw on

Type .F00

Stainless steel bracket for screw on or welding



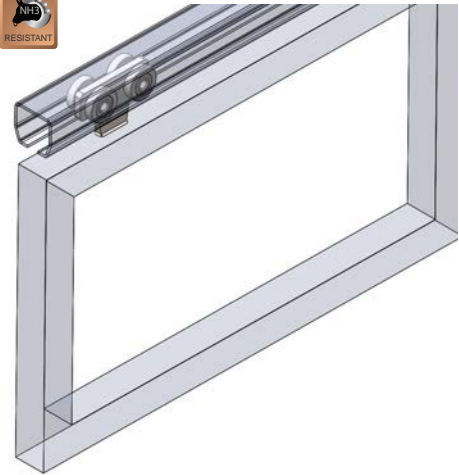
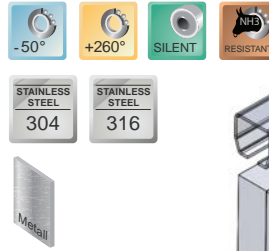
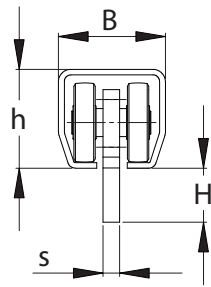
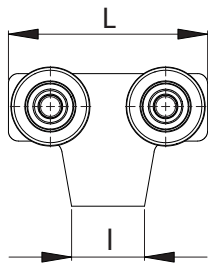
NIKO Profile No.	21.050/.70	23.050/.70	24.050/.70	25.050/.70
Bracket No. (304)	51.F00	53.F00	54.F00	55.F00
Bracket No. (316)	71.F00	73.F00	74.F00	75.F00
Dimension B (mm)	20	30	30	40
Dimension s (mm)	8	10	15	20
Dimension L (mm)	100	100	120	140
Dimension D (mm)	M10	M12	M16	M20
Dimension d (mm)	5.5	5.5	6.5	7.5

## 4-wheel trolley for welding

Type .T00



Stainless steel 4-wheel trolley for welding

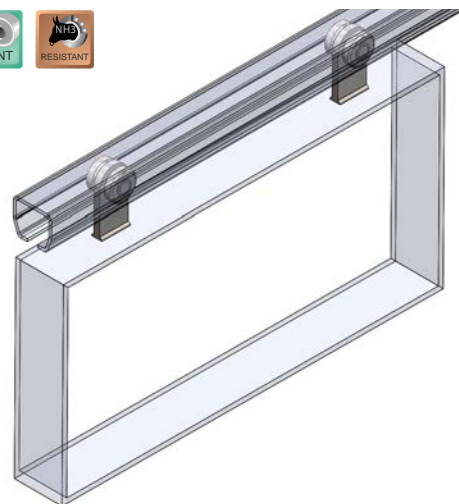
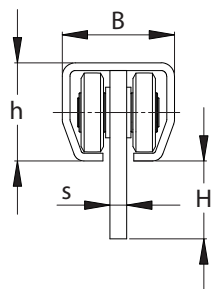
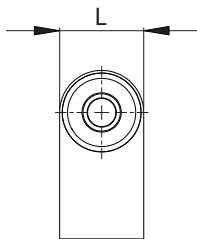


NIKO Profile No.	21.050/.070	23.050/.070	24.050/.070	25.050/.070
Trolley No. (304)	51.T00	53.T00	54.T00	55.T00
Trolley No. (316)	71.T00	73.T00	74.T00	75.T00
Load per trolley (SWL kg)	20	40	80	200
Dimension B (mm)	30	40	48.5	65
Dimension H (mm)	24	25	34	34
Dimension L (mm)	60	80	100	120
Dimension h (mm)	28	35	43.5	60
Dimension l (mm)	19	30	35	45
Dimension s (mm)	4	6	8	10

## 2-wheel trolley for welding

Type .T01

Stainless steel 2-wheel trolley for welding. For 2-wheel trolleys we always recommend the use of track end stop type .X01.



NIKO Profile No.	21.050/.070	23.050/.070	24.050/.070	25.050/.070
Trolley No. (304)	51.T01	53.T01	54.T01	55.T01
Trolley No. (316)	71.T01	73.T01	74.T01	75.T01
Load per trolley (SWL kg)	10	20	40	100
Dimension B (mm)	30	40	48.5	65
Dimension H (mm)	24	25	34	34
Dimension L (mm)	25	30	40	50
Dimension h (mm)	28	35	43.5	60
Dimension s (mm)	4	6	8	10

Sliding Door Fittings



Heavy Duty Sliding Door Fittings

We reserve the right for technical amendments without obligation.  
The product pictures and drawings depicted in this catalogue do not always reflect all available sizes.

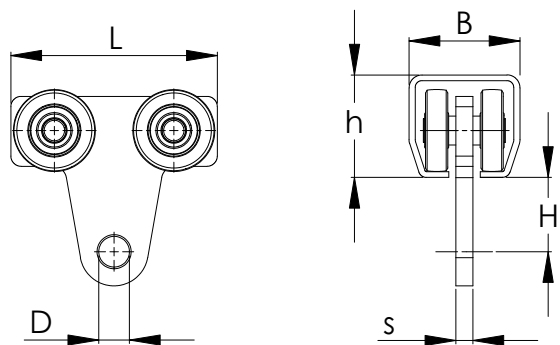
Ver. January 2017

[www.niko.eu.com](http://www.niko.eu.com)

## 4-wheel trolley with hole

Type .T10

Stainless steel 4-wheel trolley with hole.

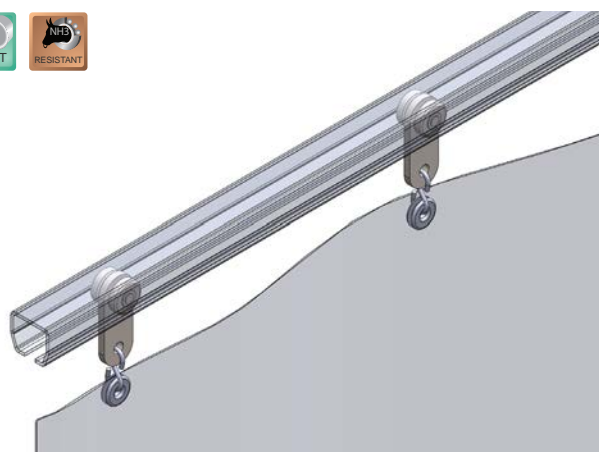
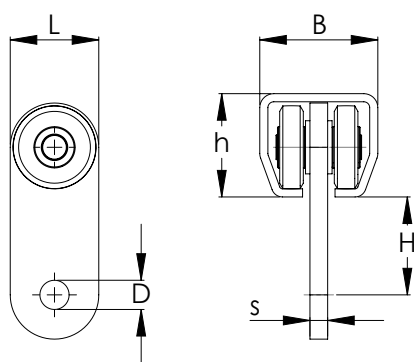


NIKO Profile No.	21.050/.070	23.050/.070	24.050/.070	25.050/.070
Trolley No. (304)	51.T10	53.T10	54.T10	55.T10
Trolley No. (316)	71.T10	73.T10	74.T10	75.T10
Load per trolley (SWL kg)	20	40	80	200
Dimension B (mm)	30	40	48.5	65
Dimension H (mm)	19.5	32	39	42
Dimension L (mm)	60	80	100	120
Dimension D (mm)	8	10	14	18
Dimension h (mm)	28	35	43.5	60
Dimension s (mm)	4	6	8	10

## 2-wheel trolley with hole

Type .T11

Stainless steel 2-wheel trolley with hole. For 2-wheel trolleys we always recommend the use of track end stop type X01.



NIKO Profile No.	21.050/.070	23.050/.070	24.050/.070	25.050/.070
Trolley No. (304)	51.T11	53.T11	54.T11	55.T11
Trolley No. (316)	71.T11	73.T11	74.T11	75.T11
Load per trolley (SWL kg)	10	20	40	100
Dimension B (mm)	30	40	48.5	65
Dimension H (mm)	19.5	32	39	42
Dimension L (mm)	25	30	40	50
Dimension D (mm)	6	10	14	18
Dimension h (mm)	28	35	43.5	60
Dimension s (mm)	4	6	8	10

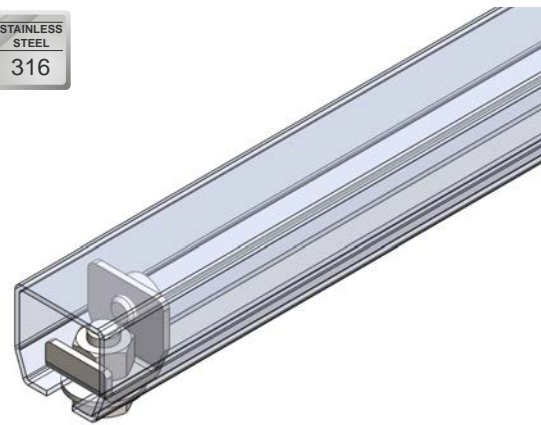
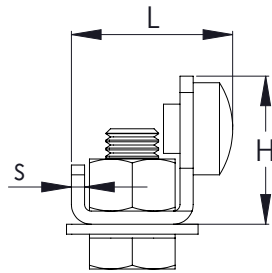
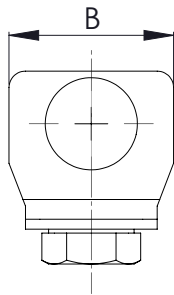


## Track end stop, short

Type .X04



Stainless steel track end stop with two clamping screws und rubber buffer, short type.



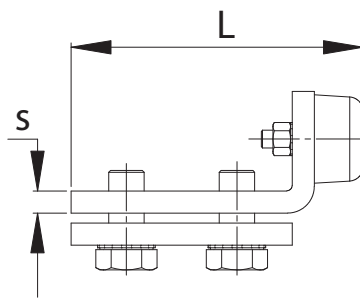
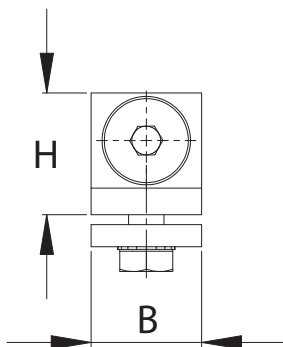
NIKO Profile No.	21.050/.070
Track end stop No. [304]	51.X04
Track end stop No. [316]	71.X04
Dimension B (mm)	25
Dimension H (mm)	23
Dimension L (mm)	25
Dimension s (mm)	2

Sliding Door Fittings

## Track end stop

Type .X01

Stainless steel track end stop with two clamping screws und rubber buffer, long type.



NIKO Profile No.	23.050/.070	24.050/.070	25.050/.070
Track end stop No. [304]	53.X01	54.X01	55.X01
Track end stop No. [316]	73.X01	74.X01	75.X01
Dimension B (mm)	20	30	40
Dimension H (mm)	25	30	45
Dimension L (mm)	70	75	122
Dimension s (mm)	4	5	8



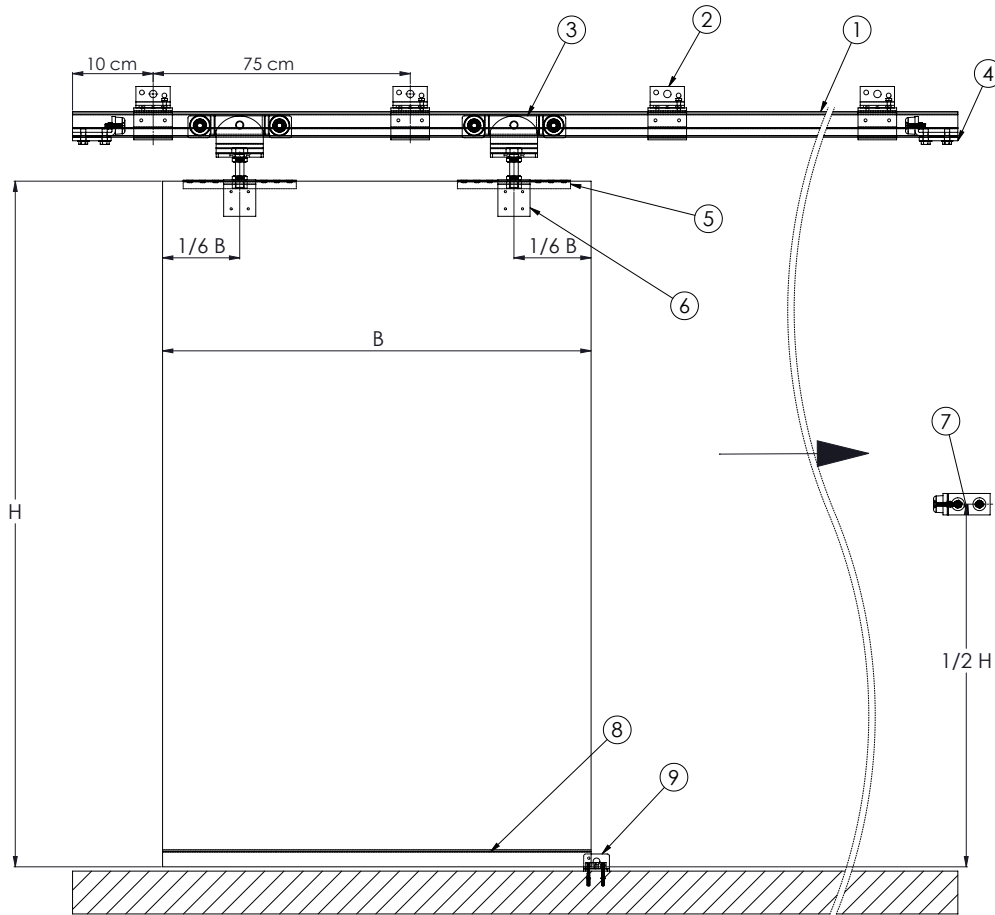
**Heavy Duty Sliding Door Fittings**  
We reserve the right for technical amendments without obligation.  
The product pictures and drawings depicted in this catalogue do not always reflect all available sizes.

Ver. January 2017

[www.niko.eu.com](http://www.niko.eu.com)

# TECHNICAL INFORMATION

## ASSEMBLY EXAMPLE FOR SLIDING DOORS



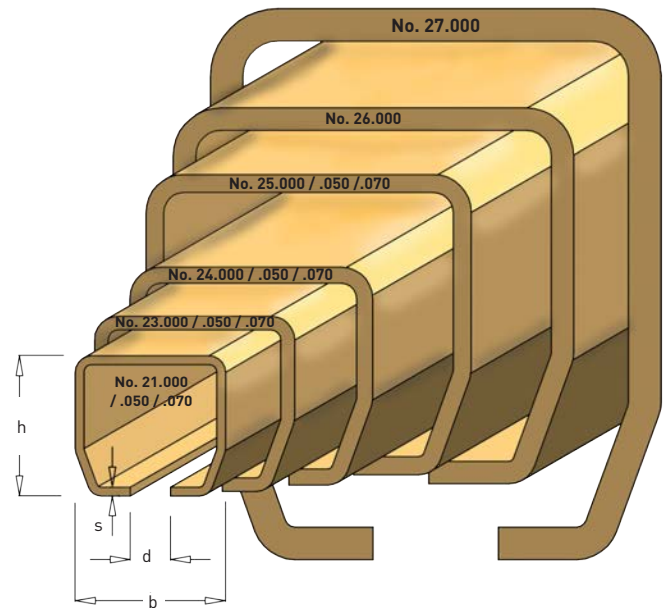
1. NIKO TRACK
2. WALL SUPPORT BRACKET
3. DOUBLE WHEEL HANGER
4. TRACK END STOP
5. BRACKET FOR WOODEN CONSTRUCTIONS
6. FOLDING PLATE
7. DOOR END STOP
8. GUIDE TRACK
9. GUIDE WITH CORNER BRACKET

The recommended distance between track support brackets is 75cm.

To ensure smooth operation of sliding doors, we recommend the use of R91 hangers, which offer better lateral guidance and have self-aligning bearings.

## GENERAL DETAILS FOR TRACK PROFILES

NIKO Profile No.	Dimensions			
	h (mm)	b (mm)	d (mm)	s (mm)
21.000	28,00	30,00	8,00	1,75
21.050 Stainless steel (304)	28,00	30,00	8,00	1,75
21.070 Stainless steel (316)	28,00	30,00	8,00	1,75
23.000	35,00	40,00	11,00	2,75
23.050 Stainless steel (304)	35,00	40,00	11,00	2,75
23.070 Stainless steel (316)	35,00	40,00	11,00	2,75
24.000	43,50	48,50	15,00	3,20
24.050 Stainless steel (304)	43,50	48,50	15,00	3,20
24.070 Stainless steel (316)	43,50	48,50	15,00	3,00
25.000	60,00	65,00	18,00	3,60
25.050 Stainless steel (304)	60,00	65,00	18,00	3,60
25.070 Stainless steel (316)	60,00	65,00	18,00	4,00
26.000	75,00	80,00	22,00	4,50
27.000	110,00	90,00	25,00	6,50



## CHART WITH ALLOWED LOADS FOR WHEEL HANGERS

### 4-wheel hanger

NIKO Profile No.	Single hanger load capacity	Sliding door manually (two hangers)	Sliding door motorized (two hangers)	Folding and Harmonica doors
	Max / kg / PC	Load capacity / kg / Door panel	Load capacity / kg / Door panel	Load capacity / kg / Door panel
21.000	50	100	-	
23.000	100	200	140	Load capacity / kg / Door panel
24.000	200	400	240	75
25.000	300	600	480	150
26.000	600	1200	950	300
27.000	1000	2000	1400	-

### 2-wheel hanger

NIKO Profile No.	Single hanger load capacity	Sliding door manually (two hangers)	Folding and Harmonica doors
	Max / kg / PC	Load capacity / kg / Door panel	Load capacity / kg / Door panel
21.000	30	60	15
23.000	65	130	32
24.000	100	200	50
25.000	200	400	100
26.000	400	800	200
27.000	700	1400	-

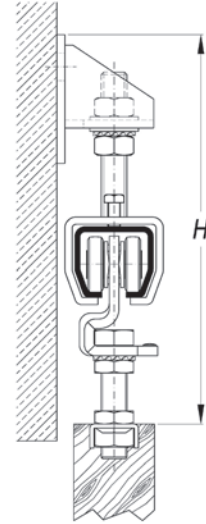
All weights show in tables are based on a 75cm distance between track supports.

The track profile and hanger sizes are determined by the weight of the door.

## SUPPORTING OPTIONS OF TRACK PROFILES FOR SLIDING DOORS

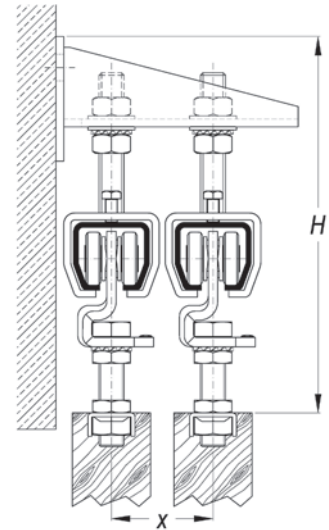
### Adjustable wall bracket with height adjustable bracket and wheel hanger for sliding doors

NIKO Profile No.	Adjustable wall bracket	Height adjustable bracket	Dimension H max. / min.
21.000	21.B05	21.B04	170 / 130
23.000	24.B05	23.B04	245 / 185
24.000	24.B05	24.B04	260 / 185
25.000	26.B05	25.B04	345 / 245
26.000	26.B05	26.B04	510 / 290



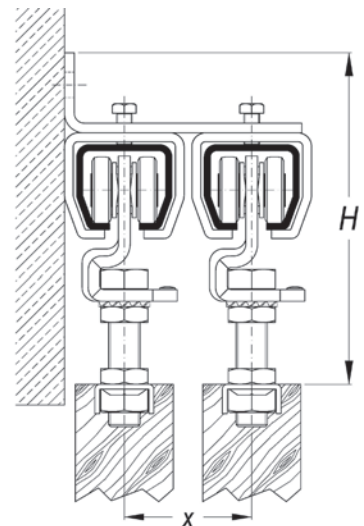
### Double adjustable wall bracket with height adjustable bracket and wheel hanger for sliding doors

NIKO Profile No.	Double adjustable wall bracket	Height adjustable bracket	Dimension H max. / min.	Dimension X max. / min.
21.000	21.B06	21.B04	175 / 140	70 / 40
23.000	24.B06	23.B04	245 / 185	115 / 50
24.000	24.B06	24.B04	260 / 185	110 / 60
25.000	26.B06	25.B04	345 / 245	145 / 85
26.000	26.B06	26.B04	510 / 290	135 / 105
27.000	27.B06	27.B04	575 / 365	120 / 118



### Double wall support bracket with wheel hangers for sliding doors

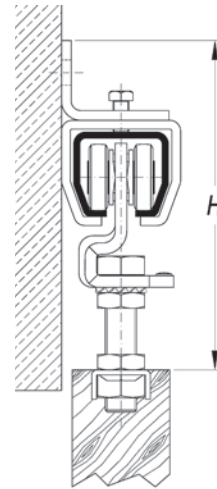
NIKO Profile No.	Double wall support bracket	Dimension H max. / min.	Dimension X
23.000	23.B31	165 / 135	50
24.000	24.B31	195 / 165	60
25.000	24.B33	195 / 165	90
26.000	25.B31	220 / 195	85



## SUPPORTING OPTIONS OF TRACK PROFILES FOR SLIDING DOORS

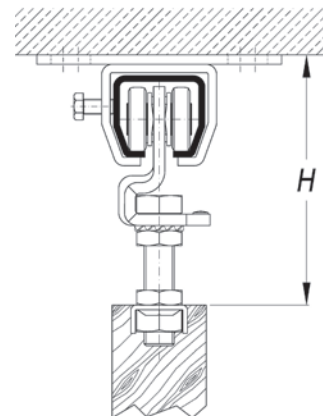
### Wall support bracket with wheel hangers for sliding doors

NIKO Profile No.	Wall support bracket	Dimension H max. / min.
21.000	21.B01	112 / 98
23.000	23.B01	148 / 121
24.000	24.B01	175 / 146
25.000	25.B01	215 / 188
26.000	26.B01	330 / 242
27.000	27.B01	400 / 306



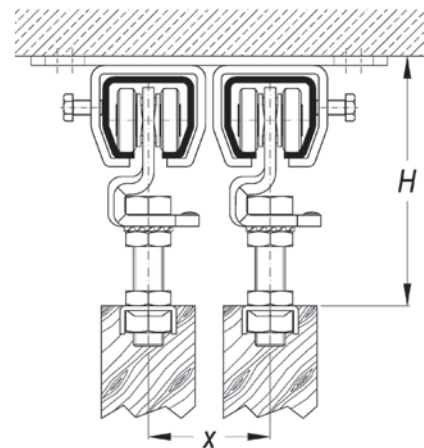
### Ceiling support bracket with wheel hangers for sliding doors

NIKO Profile No.	Ceiling support bracket	Dimension H max. / min.
21.000	21.B02	89 / 74
23.000	23.B02	121 / 93
24.000	24.B02	140 / 110
25.000	25.B02	173 / 145
26.000	26.B02	278 / 190
27.000	27.B02	337 / 243

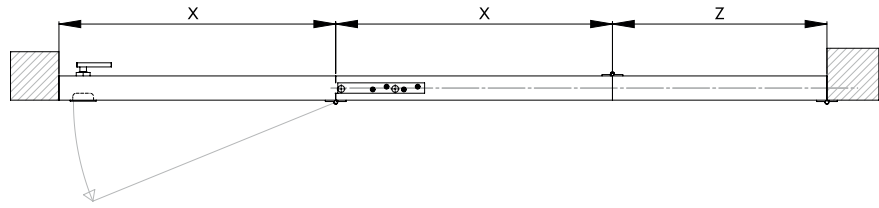
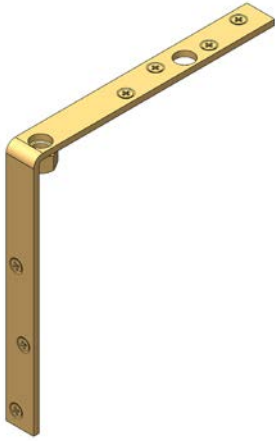


### Double ceiling support bracket with wheel hangers for sliding doors

NIKO Profile No.	Double ceiling support bracket	Dimension H max. / min.	Dimension X
23.000	23.B32	89 / 74	50
24.000	24.B32	121 / 93	60
24.000	24.B34	140 / 110	90
25.000	25.B32	173 / 145	85

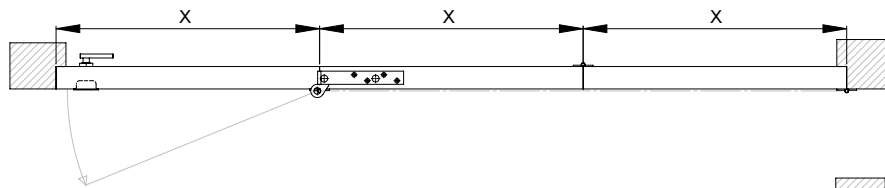
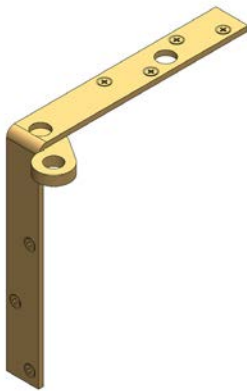
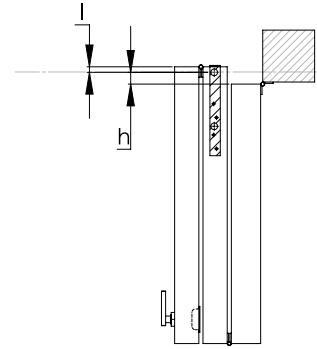


# HANGING OPTIONS FOR FOLDING DOORS



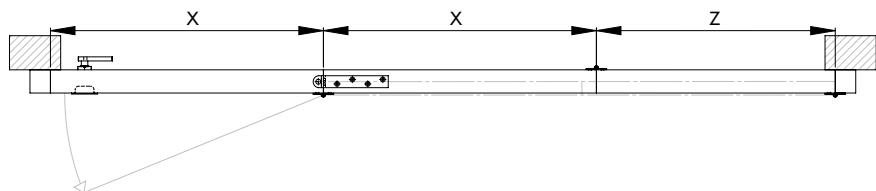
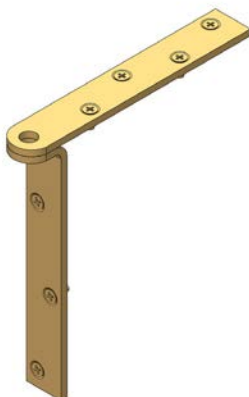
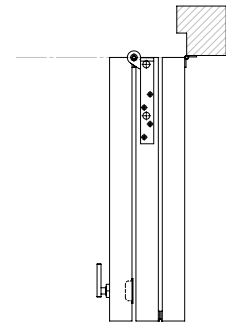
## Type "A" inside an opening

The wall mounted panel must be shorter than the other panels by "h" + "l". Where "h" is the distance from the middle of the hinge barrel to the centreline of the track and "l" can be found on page 59, top corner bracket type .F94.



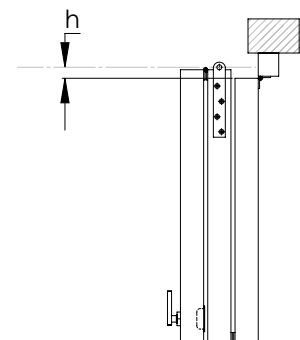
## Type "B" within a recessed frame

At the rebate-mounted folding doors the panels can be all constructed at the same size. The screws and the center of the hinges are aligned.

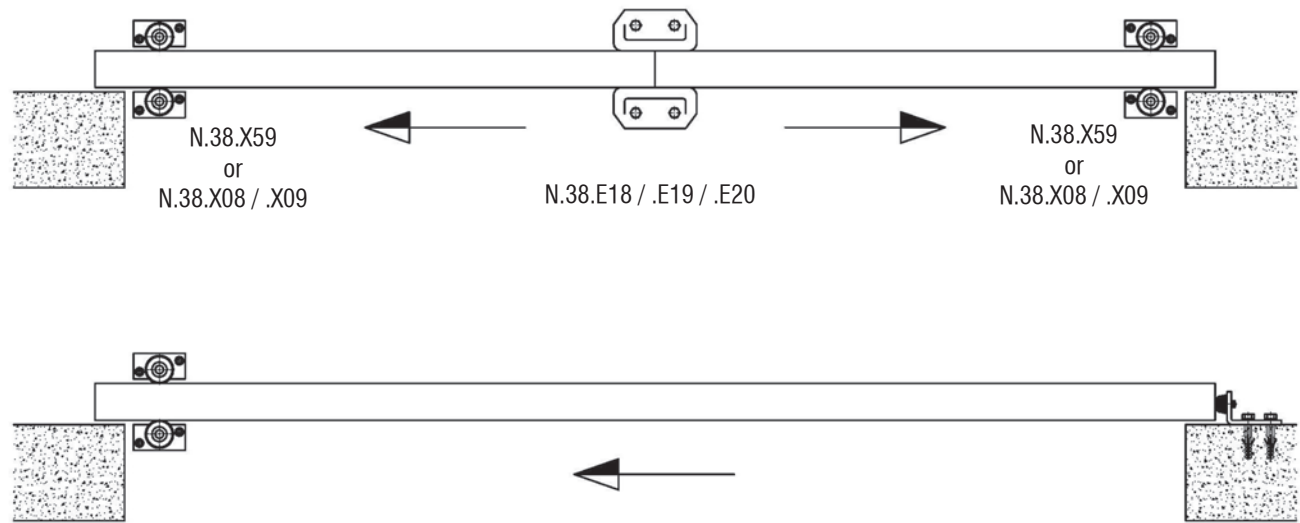


## Type "C" outside of an opening

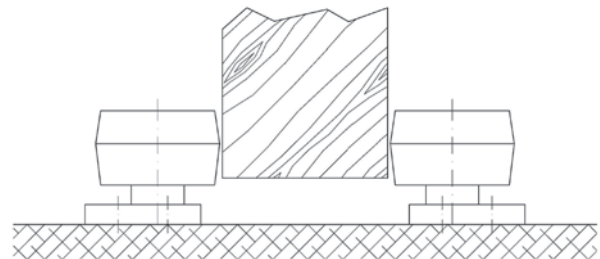
The wall mounted panel must be shorter than the other panels by "h". Where "h" is the distance from the middle of the hinge barrel to the centreline of the track.



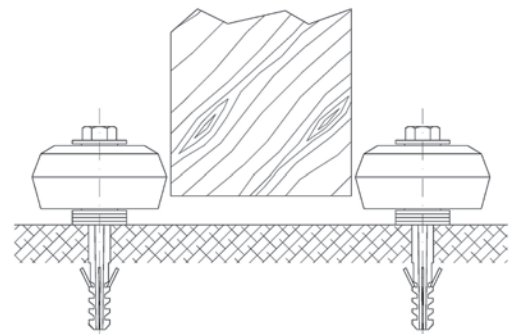
## GUIDING OPTIONS FOR SLIDING DOORS



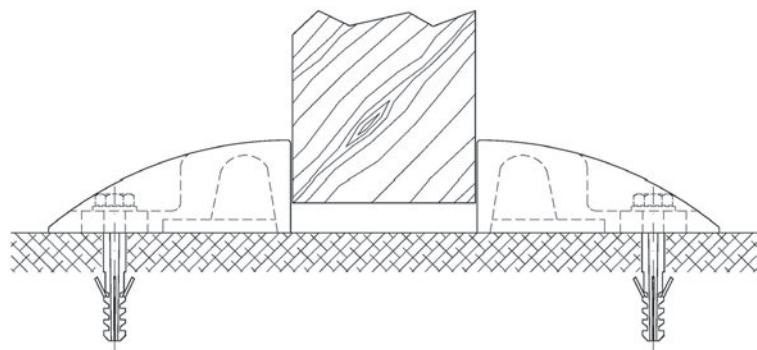
GUIDE ROLLER WITH BASE PLATE  
N.38.X59



GUIDE ROLLER WITH  
RAWL PLUG  
N.38.X08 / .X09



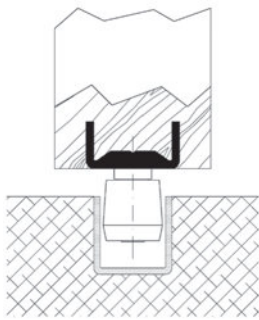
TORTOISE GUIDE  
N.38.E18 / .E19 / .E20



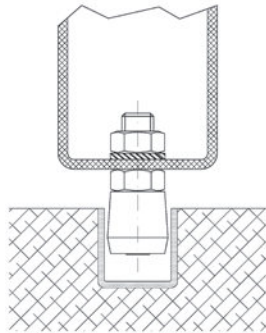
The above guide options are quick and easy to install and are suitable for both indoor and outdoor application. They avoid the build up of dirt, water and ice associated with rails.

# GUIDING OPTIONS FOR SLIDING DOORS

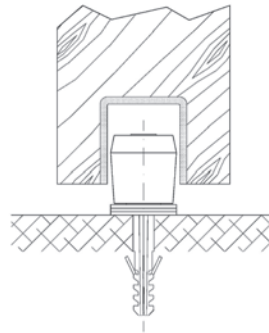
## ASSEMBLY EXAMPLES



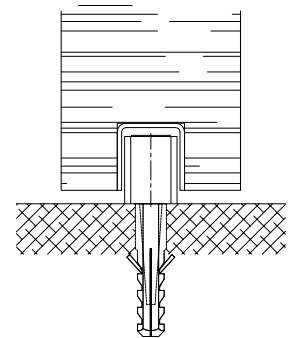
GUIDE ROLLER WITH  
BOTTOM BRACKET,  
NYLON OR BRASS  
(.N00 or .M00)



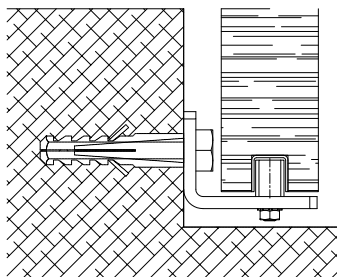
GUIDE ROLLER WITH  
SCREW, NYLON OR  
BRASS  
(.N49 or .M49)



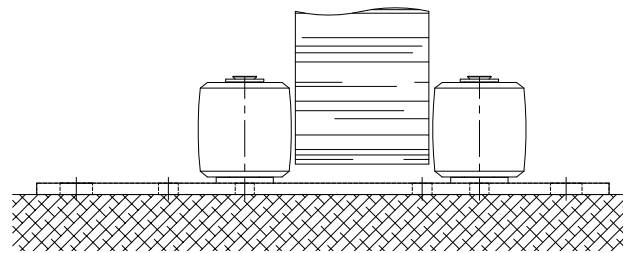
GUIDE ROLLER WITH  
FIXING PLUG, NYLON  
OR BRASS  
(.N58 or .M58)



GUIDE WITH NYLON  
PIECE (.U54)

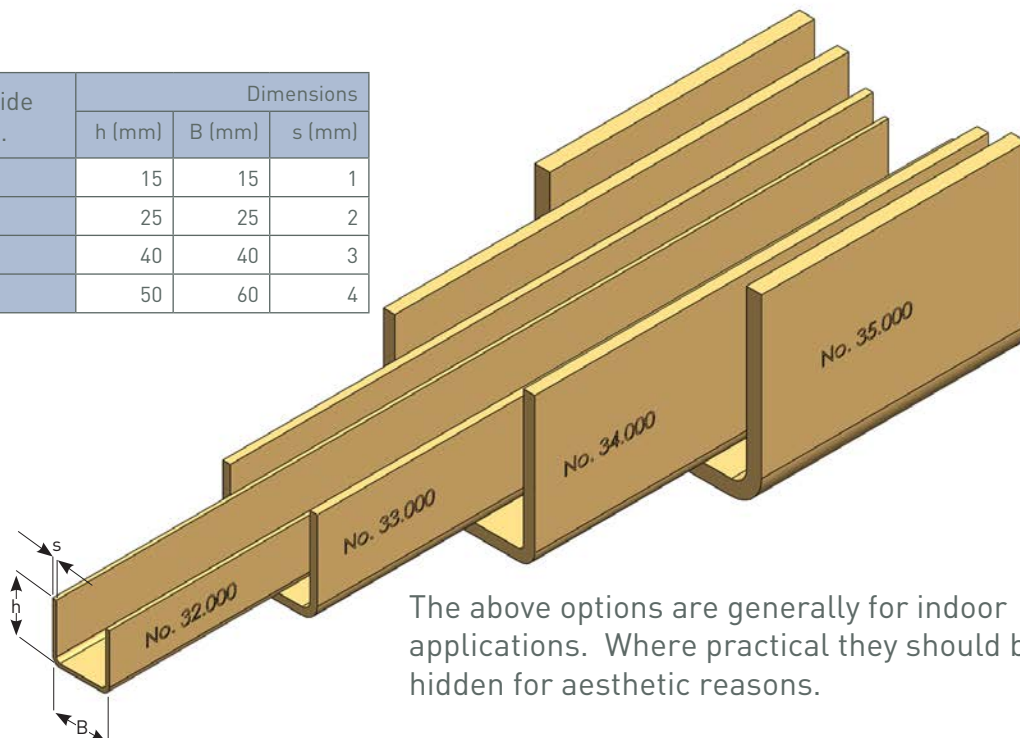


GUIDE WITH NYLON  
PIECE WITH COR-  
NER BRACKET  
(.U53)



DOUBLE GUIDE ROLLER WITH BASE PLATE  
(.X65/66)

NIKO Guide track No.	Dimensions		
	h (mm)	B (mm)	s (mm)
32.000	15	15	1
33.000	25	25	2
34.000	40	40	3
35.000	50	60	4



The above options are generally for indoor applications. Where practical they should be hidden for aesthetic reasons.







# Konformitätserklärung Declaration of Conformity



## EN 1527

Declaration Number 2010-1527/HH/OS/BV1.0

Die **EN1527** bestimmt die Prüfungskriterien für die Beschläge einer Schiebetür (Laufschiene, Rollapparate, Führungen und Stopper)

*The EN 1527 provides objective criteria for sliding door fittings (rails, roller devices, guides and stoppers)*

Sie definiert die Korrosionsbeständigkeit, die Dauer der Funktionsfähigkeit und die erforderliche Kraft zum Einleiten der Flügelbewegung.

*It defines resistance to corrosion, the duration of the functioning and the force required to initiate movement of the wings.*

Die Firma Helm Hellas SA erklärt dass Ihre Schiebetürbeschläge nach **EN1527** wie folgt einzustufen sind:

*Our company Helm Hellas SA declares that according to the European Standard EN 1527 our sliding door fittings are classified as follows:*

Korrosionsbeständigkeit Corrosion Resistance	Dauer der Funktionsfähigkeit Durability	Anfangsreibung Initial Friction
<b>3</b>	<b>6</b>	<b>3</b>
96h [EN 1670]	100.000	a.) Door of 50kg 30N b.) Door from 51-100kg 40N c.) Door from 101-300kg 4% d.) Door over 300kg 3%
Salznebelprüfzeit Resistenzzeit Number of hours of resistance to salt spray	Arbeitszyklen Number of cycles	10N ( 10 newton correspond to 982g) 10N ( 10 Newton entspricht 982g)
1 = 24h, 2 = 48h, 3 = 96h, 4 = 240h	1 = 2.500, 2 = 5.000, 3 = 10.000, 4 = 25.000, 5 = 50.000, 6 = 100.000	Class 1 a.) 50N b.) 80N c.) 100N d.) 5%  Class 2 a.) 40N b.) 60N c.) 5% d.) 4%  Class 3 a.) 30N b.) 40N c.) 4% d.) 3% % = Der Tormasse (Doormass)

Für das Prüfverfahren wurden folgende Türabmessungen herangezogen.

*For the test methods were used the following standard door dimensions.*

- \* Türe [Door] ← 100 kg; Höhe [Height] 2.000 mm, Breite [Width] 800 mm
- \* Türe [Door] → 100 kg; Höhe [Height] 2.000 mm, Breite [Width] 2.000 mm

Diese Konformitätserklärung ersetzt nicht die Endprüfung einer fertigen Toranlage!

*This declaration does not replace the final test of a finished door system!*



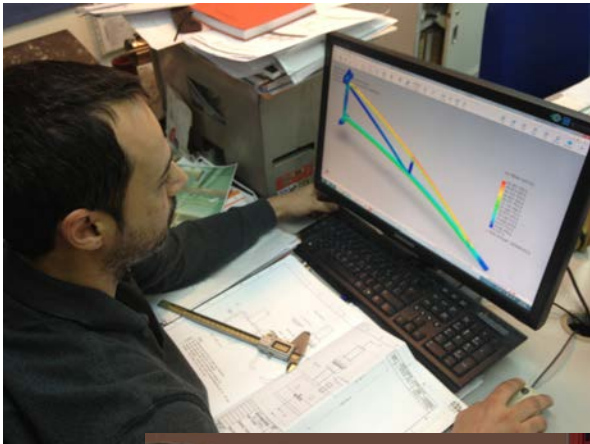
Panagiotis Psilogiannopoulos



Helm Hellas S.A.  
82<sup>nd</sup> Km Athens-Korinthos | P.O. Box 209 | 201 00 KORINTHOS  
Tel. 0030 (0) 27410 85803 | Fax 0030 (0) 27410 25368  
www.niko.eu.com | info@niko.eu.com



Our quality control department is manned with experienced and highly skilled engineers. Our test lab is equipped with endurance test stands, tensile stress equipment, hardness test machines and other laboratory equipment. Virtual stress analysis is also performed during the developing phase of every component.



Sliding Door Fittings





**AUSTRIA-NIKO Vertriebs GmbH**

Hainfelderstraße 48  
A – 2560 Berndorf  
Tel. 0043 (0) 2672 21201  
Fax 0043 (0) 2672-21201-13  
[office.at@niko.eu.com](mailto:office.at@niko.eu.com)

**CHINA-NIKO TRADING (SHANGHAI) Co., Ltd**

Room 605, Building #13, No.354  
Linghe Road, Pudong District,  
P.R.China - 200120 Shanghai  
Tel. 0086 139 1814 5645  
[info.cn@niko.eu.com](mailto:info.cn@niko.eu.com)

**GERMANY-NIKO Technik GmbH**

Robert-Bosch-Str. 14  
DE – 42489 Wülfrath  
Tel. 0049 (0) 2058 9093603  
Fax 0049 (0) 2058 9093604  
[office.de@niko.eu.com](mailto:office.de@niko.eu.com)

**GREECE-Helm Hellas S.A.**

82<sup>nd</sup> Km Athens-Korinthos  
P.O. Box 209  
GR - 201 00 KORINTHOS  
Tel. 0030 27410 85803-6  
Fax 0030 27410 25368  
[info@niko.eu.com](mailto:info@niko.eu.com)

**POLAND- NIKO Polska**

Wojska Polskiego 65A  
PL - Wielun 98-300  
Tel. 0048 504 00 35 56  
[info.pl@niko.eu.com](mailto:info.pl@niko.eu.com)

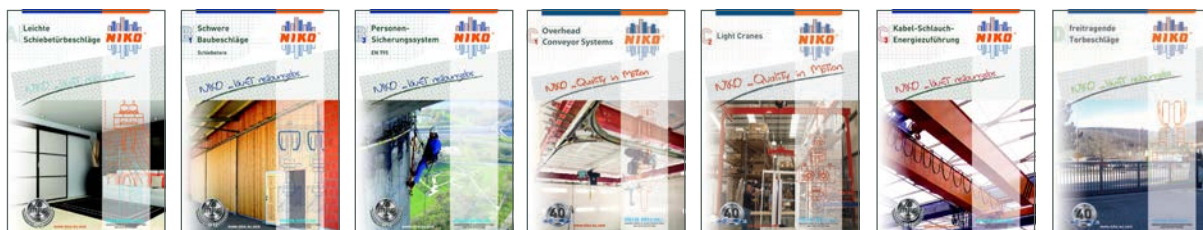
**UNITED KINGDOM-NIKO Ltd**

Units 15-21, Insight Park  
Welsh Road East, Southam  
Warwickshire, CV47 1NE - UK  
Tel. 0044 (0) 1926 813111  
Fax 0044 (0) 1926 815599  
[Sales@niko.co.uk](mailto:Sales@niko.co.uk)  
[www.niko.co.uk](http://www.niko.co.uk)

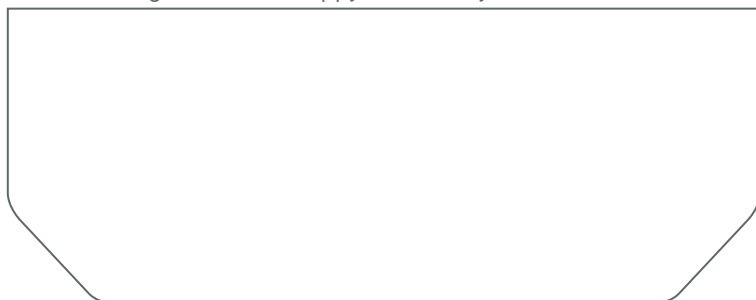
**USA-NIKO Track**

300 Highpoint Ave  
USA - Portsmouth, RI. 02871  
Tel. 001 (0) 401 683 7525  
Fax 001 (0) 401 293 3848  
[info@nikotrack.com](mailto:info@nikotrack.com)

**[www.niko.eu.com](http://www.niko.eu.com)**



Your **NIKO** agent will be happy to advise you:



Complete product range **NIKO**:

- A1 – Residential Sliding Door Hardware
- A2 – Sliding Curtains Hardware
- B1 – Heavy Duty Sliding Door Hardware
- B2 – Folding and Harmonica Door Hardware
- B3 – Garage Door and Door around the corner Hardware
- C1 – Overhead Conveyor Systems
- C2 – Light Cranes
- C3 – Cable Trolleys and Festoon Systems
- C4 – Personal Fall Arrest Systems (EN 795)
- D – Sliding Gate Hardware

Copyright NIKO (Version January 2017)  
We take no obligation for layout, composition, technical modifications as well as misprints.  
Subject to technical modifications / Images can be differ from original.