

Electric Wormgear Lifting Winches

EN series

A range of electric self-braking wormgear winches developed in accordance to the European standards for lifting winches specially FEM 1.001 T3-L3-M4 and DIN 15020-1AM with a long life service. The self-braking wormgear is combined with an automatic fail-safe motor brake for precise load control. A grooved drum is fitted as standard according to the CE standard on types EN 500 to EN 1700. A grooved drum ensures long service life for the cable.

INDUSTRY

Standard features:

- Self-braking wormgear transmission
- IP 54 aluminium braked motor 400 VAC / 3 phases / 50 Hz
- Grooved steel drum (not grooved on EN 200, EN 450) with cable fixing point at flange
- Single drum support (EN 200, EN 450)
- Two drum supports (all other models)
- Double layer 2-component conservation according ISO 12944 category C2-Low, colour RAL 5010
- FEM / ISO class T3-L3-M4

Available options:

- IP 56 TENV cast iron motor for marine applications
- 220 V AC single-phase motors (up to EN 500)
- 24 V DC motors
- Explosion-proof motors
- Protective steel motor cover
- Drum pressure roller
- Alternative speeds
- Alternative drum dimensions / split drums / additional rope anchors / etc.
- Drum guards
- Emergency cranking
- Marine / offshore coating systems

Available control options:

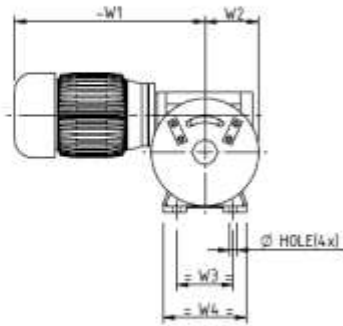
- Direct pendant remote control IP 65 with emergency stop (up to 1.5 kW 220 VAC / 1 phase or 2.2 kW 400 VAC / 3 phase)
- IP 55 Control box with push-buttons and emergency stop built acc. to NEN 1010
- IP 66 Control box with low voltage IP 65 remote control built acc. to NEN 1010
- Load limiter (required by CE for applications exceeding 1000 kg WLL)
- Frequency inverter for variable speed control
- Wireless radio remote control systems
- Limit switches
- Slack wire switches



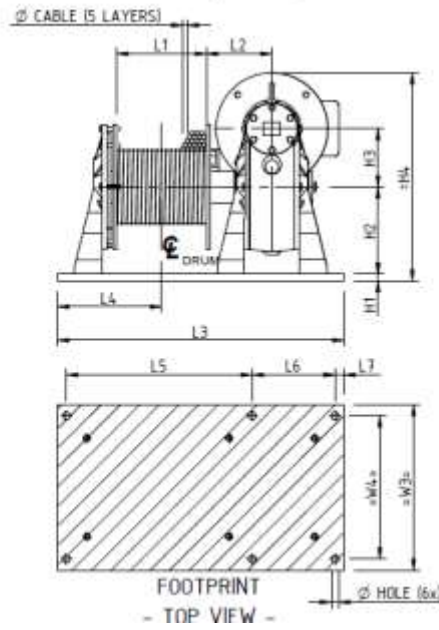
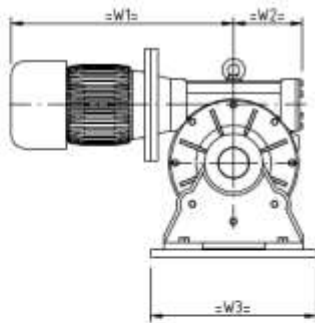
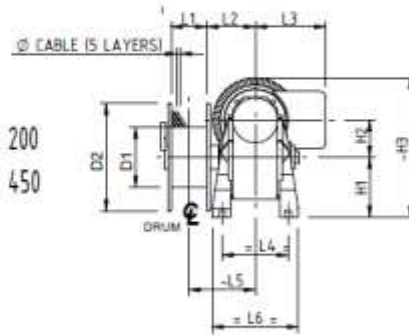
Winch type	WLL 1 st layer kg	WLL 3 rd layer kg	Recomm. rope diam. mm	Speed 1 st layer n/min.	Drumcap. 1 st layer m	Drumcap. 3 rd layer m	Motor power 400 V kW
EN 200	200	165	5	6	3	11	0.55
EN 450	450	375	6	7	3	11	1.1
EN 500	500	405	7	5.5	7	25	1.1
EN 800	800	640	8	6	6	23	1.5
EN 1050	1050	840	10	7.5	9	31	3
EN 1325	1325	1065	11	8	11	40	4
EN 1700	1700	1370	12	9	13	48	5.5

Electric Wormgear Lifting Winches

EN series



EN 200
EN 450



INDUSTRY