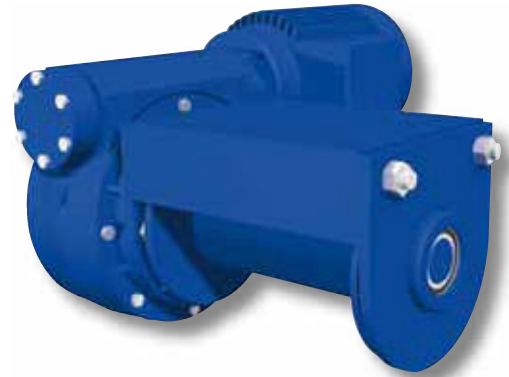


Two electric self-braking wormgear winches, specially developed for car lifting purposes. The winches can be mounted on to a davit or crane boom. Winches can be used to lift cars, Zodiacs or any other non life saving craft on board of ships.

### Standard features

- Self-braking worm gear transmission
- IP 56 TENV cast iron non-braked motor  
400 V AC / 3 phases / 50 Hz.
- Steel drum (not grooved) with cable fixing point at flange
- Two drum supports
- Double layer 2-component conservation according ISO 12944 category C2-Low, colour RAL 5010
- FEM / ISO class T2-L2-M2

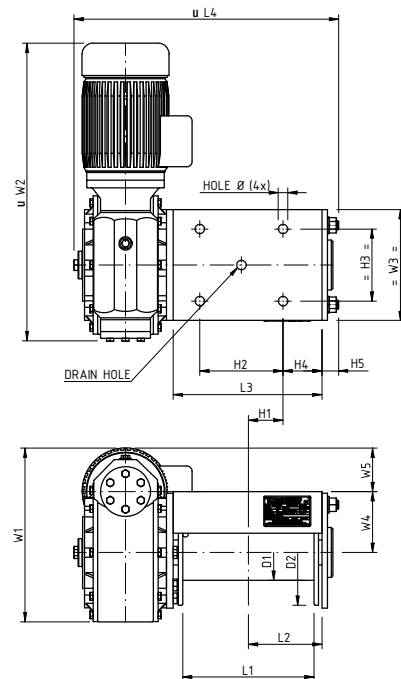


### Available options

- Braked motor
- Alternative speeds
- Marine / offshore coating systems

### Available control options

- IP 55 Control box with push-buttons and emergency stop built acc. to NEN 1010
- IP 55 Control box with low-voltage IP 65 remote control built acc. to NEN 1010
- Load limiter
- Frequency inverter for variable speed control
- Limit switches



WLL	WLL 1 <sup>st</sup> layer kg	WLL 4 <sup>th</sup> layer kg	Recomm. rope diam. mm	Speed. 1 <sup>st</sup> layer m	Drumcap. 1 <sup>st</sup> layer m	Drumcap. 4 <sup>th</sup> layer m	Motor power 400 V kW	Weight without rope kg
MC 1200 AK	960	665	8	5	9	45	1.5	92
MC 1700 AK	1300	890	10	6	8	45	3	140

AK type	Mass (kg)	D1	D2	L1	L2	L3	L4	H1	H2	H3	H4	H5	W1	W2	W3	W4	W5	Hole Ø
1200	92	100	190	237	132.5	268	477	62.5	150	130	70	30	313,5	537	200	110	78.5	17
1700	140	121	240	240	134	291	540	59	170	160	75	30	400	638	240	150	105	17