

# TRANSLYFT HYGIENIC DESIGN

## THE CLEANEST SOLUTION



### TECHNICAL SPECIFICATIONS

**NOTE: EVERYTHING CAN BE CUSTOMIZED FOR YOUR NEEDS**

- > AVAILABLE IN AISI 304 AND 316
- > LIFT CAPACITY: FROM 1000 - 2000 KG
- > TRAVEL: 715 - 1600 MM.
- > CLOSED HEIGHT: 85 - 400 MM.
- > LENGTH: 1300 - 2600 MM.
- > WIDTH: 800 - 1200 MM.
- > POWER SUPPLY: 3x400 V/50 Hz+PE
- > CE MARKED
- > WITH OR WITHOUT CLEANING SLOTS
- > HIGHER FOOD SAFETY AFTER CLEANING
  - FEWER BACTERIA LEFT ON TABLE (DOCUMENTED EFFECT)
- > AVAILABLE WITH SEMI STAINLESS OR COMPLETELY STAINLESS CYLINDER (VERSION 2 AND 3)
- > RUNS 10 LIFTS PER HOUR 8 HOURS A DAY (FULL TRAVEL)
  - PLEASE INQUIRE FOR INTENSIVE USE
- > 2 SAFETY LOCKS FOR MAINTENANCE
- > STAINLESS STEEL SAFETY TRIP BAR

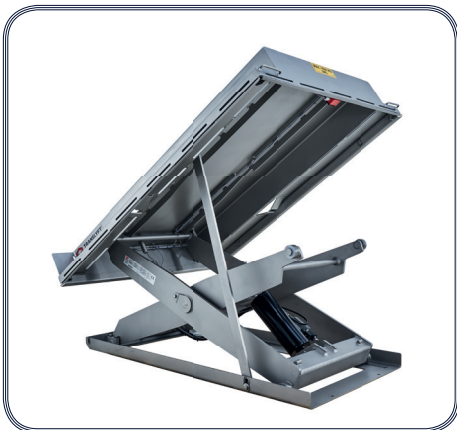
Significantly better hygiene level  
up to 50% savings in terms of  
cleaning time and cost



The TRANSLYFT Hygienic Design is our premium stainless steel lifting solution that reassures a better hygiene chain and more efficient work place. The solution can withstand intensive cleaning and is therefore particularly suitable for environments where hygiene is essential.

The cleaning mode makes it possible to raise the platform resulting in more efficient cleaning and a significantly better hygiene level. Consequently you save both time, water and detergent during the cleaning process.

The TRANSLYFT Hygienic Design can be applied to all standard models or we can customize a solution for you. More information at [www.translyft.com](http://www.translyft.com)



The cleaning mode facility makes you save both time, water and detergent.



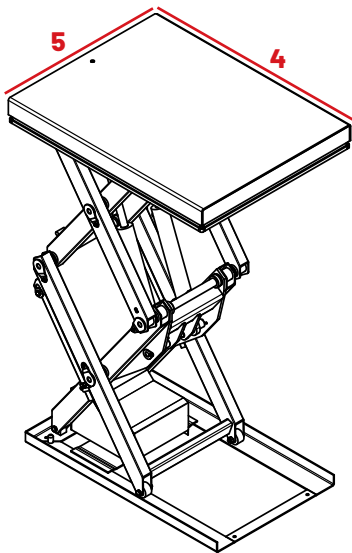
The platform can be equipped with slots to further ease the cleaning process.



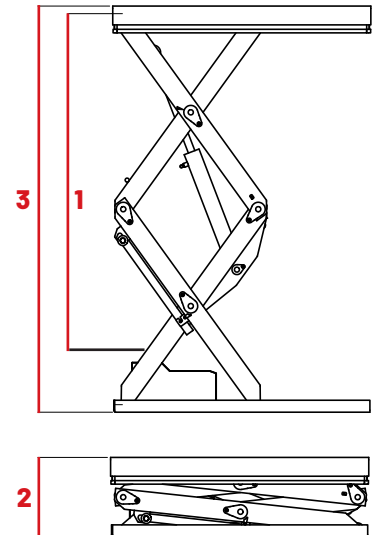
The lifting table can be equipped to fit your needs. This one is made for smoke trolleys.

Type/Capacity kg	Travel mm	Closed height mm	Total raised height mm	Length mm	Width mm	Lift time sec	Motor kW	Weight kg
HL 1000 B	830	180	1010	1300	800	18	0.75	175
HL 1000 F	830	180	1010	1300	1000	18	0.75	180
HL 2000	820	230	1050	1300	800	27	0.75	240
HL 2000 F	820	230	1050	1300	1000	27	0.75	250
HLD 1000	1600	375	1975	1300	800	30	0.75	310
HLD 1000 F	1600	375	1975	1300	1000	30	0.75	340
HLD 2000	1600	400	2000	1300	900	32	0.75	375
HLD 2000 F	1600	400	2000	1300	1000	32	2.2	410
HLH 2000	830	180	1010	2600	800	36	2.2	325
HUB 1000	715	85	800	1450	1085	12	0.75	235
HUB 2000	695	105	800	1500	1200	16	1.1	325

Hygienic Design standard models.



- Capacity** Highest load capability (when loaded correctly)
- Travel (1)** Travel from closed height to top position
- Closed height (2)** Height at lowest position
- Total raised height (3)** Height at top position
- Length (4)** Platform length
- Width (5)** Platform width
- Lift time** Time in sec. to top position
- Motor** Size of motor
- Weight** Weight of table



**We know that every lift is unique and that all workspaces are different.**  
 Contact us at +45 9886 4900 to find the perfect Hygienic Design lifting table for you.