

Low speed electric winches

3000 – 7500 kg

Description of the winch

Low-speed electric winch, made to move fragile loads from 0,3 metres per minute, powerful with its 7,5 ton lifting capacity in combination with a 230V connection.

Product specifications

- > robust and safe electric pulling and lifting winch 400 V / 230 V
- > in compliance with EN 14492
- > protection classification electric IP55 / mechanical IP54
- > mechanical overload protection
- > thermal protection electric motor
- > low voltage (24 V) pendant switch with 2 m cable
- > including 2 m power cable with 16A CEE plug
- > automatic grease system for the worm gearing
- > paint thickness is 60 - 80 micron in 1 layer and in compliance with DIN/ISO 12944, C1M - RAL 7035 (grey)



Options (code)

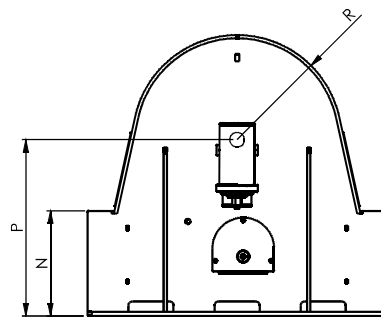
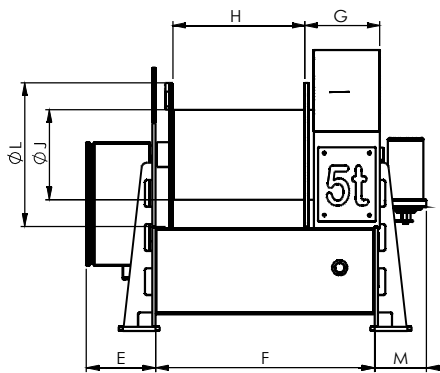
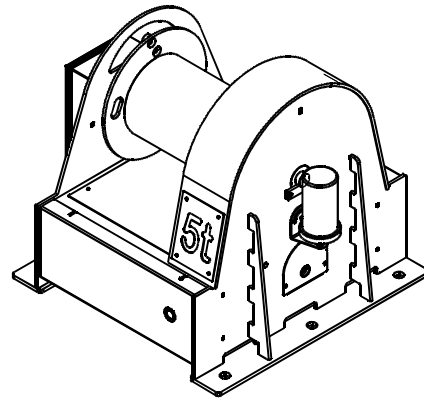
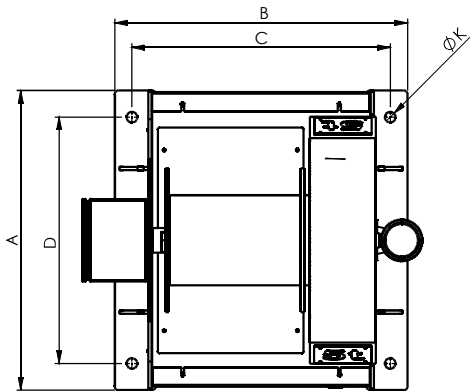
- limit switch - required for lifting applications (LS)
- grooved drum (GD)
- 230V - 50Hz

Accessories

- steel or stainless steel wire rope ([p. 55](#))
- pulley block ([p. 57](#))

CE   [Product & instruction video on YouTube](#)

Technical specifications LS3000–7500



Dimensions (mm)	A	B	C	D	E	F	G	H	J	K	L	M	N	P	R
<u>LS3000</u>	700	600	630	600	169	534	183	324	168	25	275	126	254	390	223
<u>LS5000</u>	730	704	630	600	169	534	183	322	219	25	351	126	254	427	255
<u>LS7500</u>	750	854	764	650	171	614	204	370	245	25	425	128	275	498	327

Technical specifications	Unit	<u>LS3000</u>	<u>LS5000</u>	<u>LS7500</u>
Capacity 1st layer	kg	3000	5000	7500
Capacity top layer	kg	2369	3959	5835
Lifting speed	m/min	0,5	0,4	0,3
Rope diameter-Ø	mm	14	18	22
Rope storage top layer (pulling)	m	40	39	40
Rope storage top layer (lifting)	m	10	10	10
Min. breaking load cable	kN	90	150	225
Motor output	kW	0,55	0,75	0,75
Current	A	1,6	2	2
Weight (without rope)	kg	166	216	329