

- ▶ Capacities from 150 to 500 kg.
Electric winches designed for simple applications, ideal for replacing a manual winch.
 - ▶ FEM 1Dm - Occasional use.
 - ▶ Drum and frame in mechanically welded, shot-blasted and painted steel.
 - ▶ Greased reducer with helical gears.
 - ▶ Asynchronous motor. Class F. IP 44 protection (model 150 kg) and IP 54 (models 300 and 500 kg).
 - ▶ Automatic lack of current brake.
 - ▶ Single phase power 230V-50Hz.
 - ▶ Power suitable for any installation.
 - ▶ Limit switches included.
 - ▶ Direct control (CD) only for use protected from the weather.
 - ▶ Very low voltage control (BT) ensuring user protection against electrical risks.
 - ▶ 3 buttons pendant control (Up - Down- Emergency Stop), not removable (2 m long control cable).
- Options** ▶ Wire rope (m/l or kit) and hook (see p. 94-98).
▶ Tarpaulin cover (see p. 98).

Strong points



▶ **AGON 300 kg**
Motorised lifting equipment for sport and cultural facilities : consult us.

Applications



▶ Lifting of basketball blackboard and other retractable sport equipment, room partition, billboards...



▶ Video available on our YOUTUBE channel.



▶ Prevention of musculoskeletal disorders. The motorized manual winch: the ideal solution to replace your manual winch at a reasonable cost!



▶ Fixations identical to the ones of the manual winches MANIBOX GR 150, 300 or 500 to facilitate replacement.



▶ Easy to adjust and reliable limit switch specially developed by HUCHEZ.



▶ MOTORBOX 150 : high compactness.

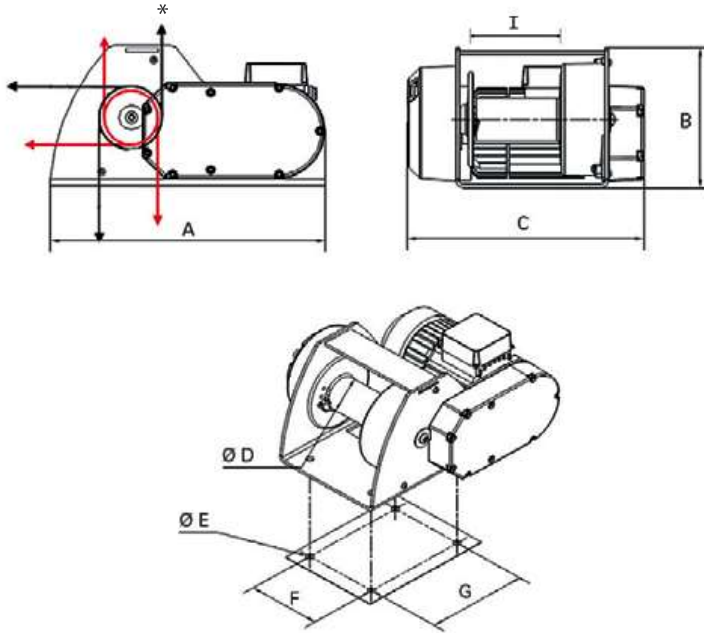




NEW



Dimensions



— Motorbox 150 kg (* valid only in Direct Control CD version).
— Motorbox 300/500 kg.

Models	MOTORBOX 150 CD	MOTORBOX 300 CD	MOTORBOX 500 CD	MOTORBOX 150 BT	MOTORBOX 300 BT	MOTORBOX 500 BT
A mm	310	390	390	340	424	424
B mm	179	205	205	210	216	216
C mm	281	341	341	281	341	341
Ø D mm	54	63,5	63,5	54	63,5	63,5
Ø E mm	9	13	13	9	13	13
F mm	114	144	144	114	144	144
G mm	154	200	200	154	200	200
I mm	105	124	124	105	124	124

Technical characteristics

References	MOTORBOX 150 CD	MOTORBOX 300 CD	MOTORBOX 500 CD	MOTORBOX 150 BT	MOTORBOX 300 BT	MOTORBOX 500 BT
Capacity top layer kg	150	300	500	150	300	500
Capacity 1st layer kg	150	300	500	150	300	500
Nb of layers	3	3	3	3	3	3
Maxi. Drum capacity m	15	16	13.5	15	16	13.5
1st layer drum capacity m	4	4	4	4	4	4
Wire rope Ø mm	4	5	6	4	5	6
Speed m/min	7	5.9	3.6	7	5.9	3.6
FEM	1Dm	1Dm	1Dm	1Dm	1Dm	1Dm
Motor kW	0.25	0.37	0.37	0.25	0.37	0.37
Power	1 Ph-230V	1 Ph-230V	1 Ph-230V	1 Ph-230V	1 Ph-230V	1 Ph-230V
Weight (without wire rope) kg	14	27	27	16	29	29

The wire rope diameter corresponds to the capacity on the top layer with a safety coefficient of (about) 5 when lifting with non-rotating wire rope.

Applications

- ▷ Maintenance (chandeliers,...)
- ▷ Handling solution for billboards, rooms partitions, basketball blackboard... (AGON 300 kg: consult us.)



▷ Opening a hatch.



▷ Pulling a plate on a press.



▷ Manoeuvring hatches, doors, etc.



▷ MOTORBOX use in the industry.

