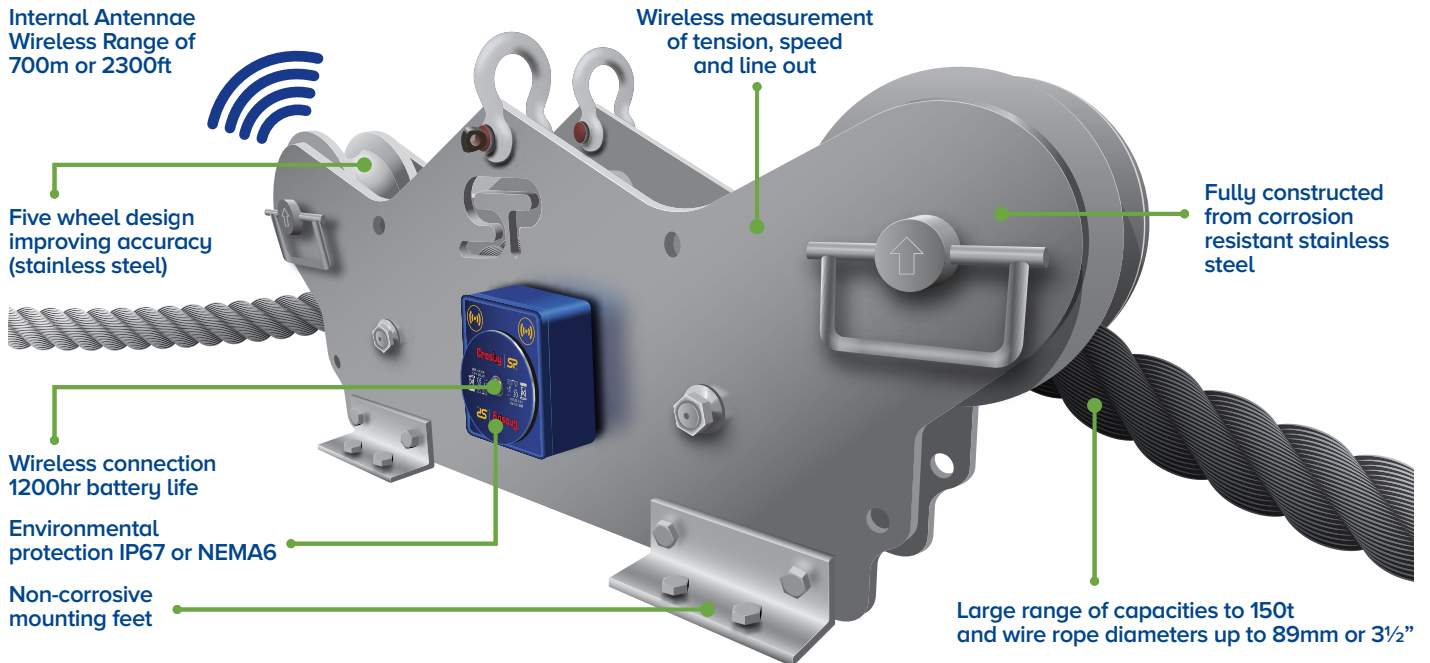


# Running Line Dynamometer



The TIMH range is a Wireless Running Line Tensiometer or RLTM built with dockside, marine, offshore, towage and salvage applications in mind. It is particularly useful when there is no anchor or dead end on the line to rig an SP Radiolink or Loadlink digital dynamometer. It measures tension force at speeds up to 20m/min or 65ft/min.

#### Two versions of the TIMH are available:

- Long range 2.4GHz version providing industry leading wireless range of 700m or 2300ft to SP's SW-HHP handheld or software options.
- Bluetooth output and can be connected to any smart phone running SP's free HHP app on iOS or Android at ranges up to 100m or 328ft.

The TIMH is constructed from marine grade stainless steel and is suitable for many wire rope configurations up to 150t and will, as an option, calculate lineout and speed. The TIMH has several mounting points featured in its unique design but if other mounting options are required, Straightpoint can provide a custom engineered solution specific to your application.

Available as a wireless or cabled system, utilising Straightpoint's HHP range of handheld displays or SW-MWLC software, this impressive Running Line Dynamometer or RLTM is available to ship from stock, to anywhere in the world, within days.

## Features and benefits:

- Measure tension, line speed and distance
- Five-wheel design improving accuracy
- Cabled or wireless options
- Fully constructed from corrosion-resistant stainless steel
- IP67 or NEMA6 Loadpin
- Industry leading battery life of 1200hrs (wireless)
- Maintenance free heavy duty bushes
- Large range of capacities to 150t and wire rope diameters up to 89mm or 3½"
- Options for lineout and speed available
- Software available to data log and monitor or analogue outputs
- Design validated by F.E.A.
  
- Bluetooth option is available and is supplied with a free HHP App for iOS and Android

Also available with hazardous area approval. Zones 0, 1 & 2



## ATEX / IECEX

Ex ia II C T4 Ga

Certification numbers:

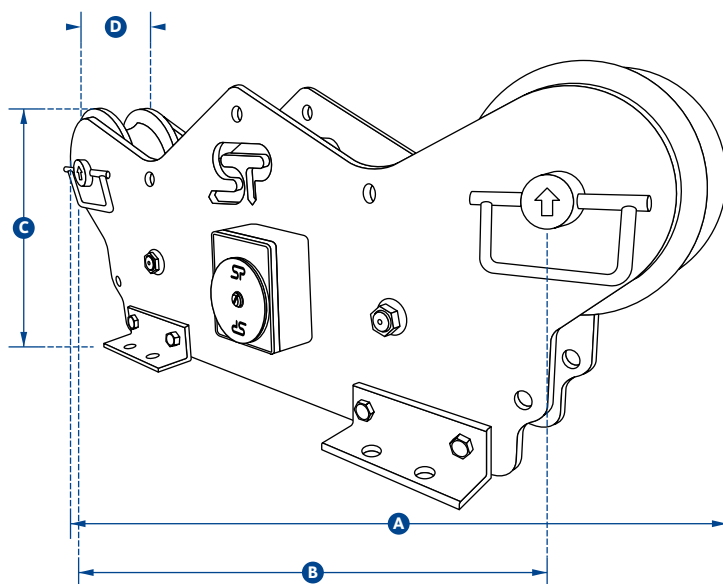
### TIMH ATEX

IECEX SIR 16.0041X / Sira 16ATEX2108X

### SW-HHP ATEX

IECEX SIR 15.0072X / Sira 15ATEX2196X

**Add 'ATEX' to the part number when ordering ATEX/IECEX products. For example: TIMH10T-ATEX**



Part Numbers	MTIMH10TRD		TIMH10TRD		TIMH25TRD		TIMH56TRD		TIMH80TRD		TIMH150TRD	
SP	2789054		2789136		2789139		2789144		2789146		2789270	
Capacity	10te		10te		25te		56te		80te		150te	
	22000lb		22000lb		55000lb		123200lb		176000lb		330000lb	
Resolution	0.01te		0.01te		0.02te		0.05te		0.1te		0.2te	
	20lb		20lb		50lb		100lb		200lb		500lb	
Wire Rope Ø	4-19mm		13-19mm		16-26mm		28-38mm		40-52mm		52-89mm	
	5/32" - 3/4"		1/2" - 3/4"		5/8" - 1"		1 1/8" - 1 1/2"		1 5/8" - 2"		2" - 3 1/2"	
Weight	9kg		90kg		86kg		81kg		76kg		230kg	
	20lb		198lb		190lb		179lb		168lb		506lb	
Battery Type	4 x AA Alkaline											
Battery Life	Wireless version 1200hrs continuous											
Operating Temp	-10°C to +50°C											
	14°F to 122°F											
Accuracy	±2% of full scale											
Frequency	2.4 GHz											
System Range (Max)	700 metres											
	2300 feet											
Data Rate	3 updates per second											
Protection	IP67											
	NEMA6											
Maximum Speed	50m per minute		20m per minute									
	164ft per minute		65ft per minute									
Line out and speed	via SW-MWLC software											
Dimension A	422mm		880mm								1250mm	
	16.62"		34.65"								49.21"	
Dimension B	328mm		700mm								1050mm	
	12.9"		27.55"								41.33"	
Dimension C	152mm		330mm								416mm	
	5.98"		12.99"								16.37"	
Dimension D	36mm		110mm								153mm	
	1.4"		4.33"								6.02"	